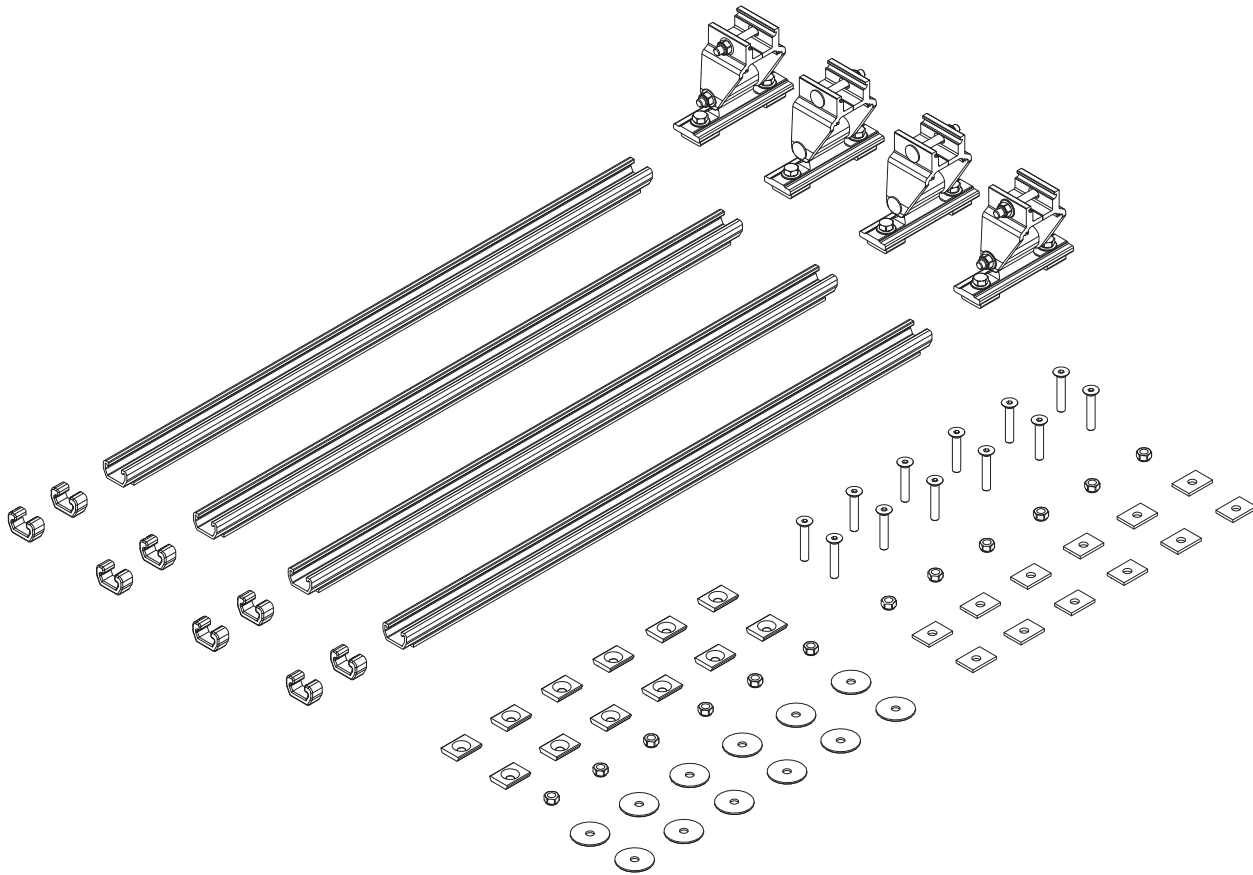


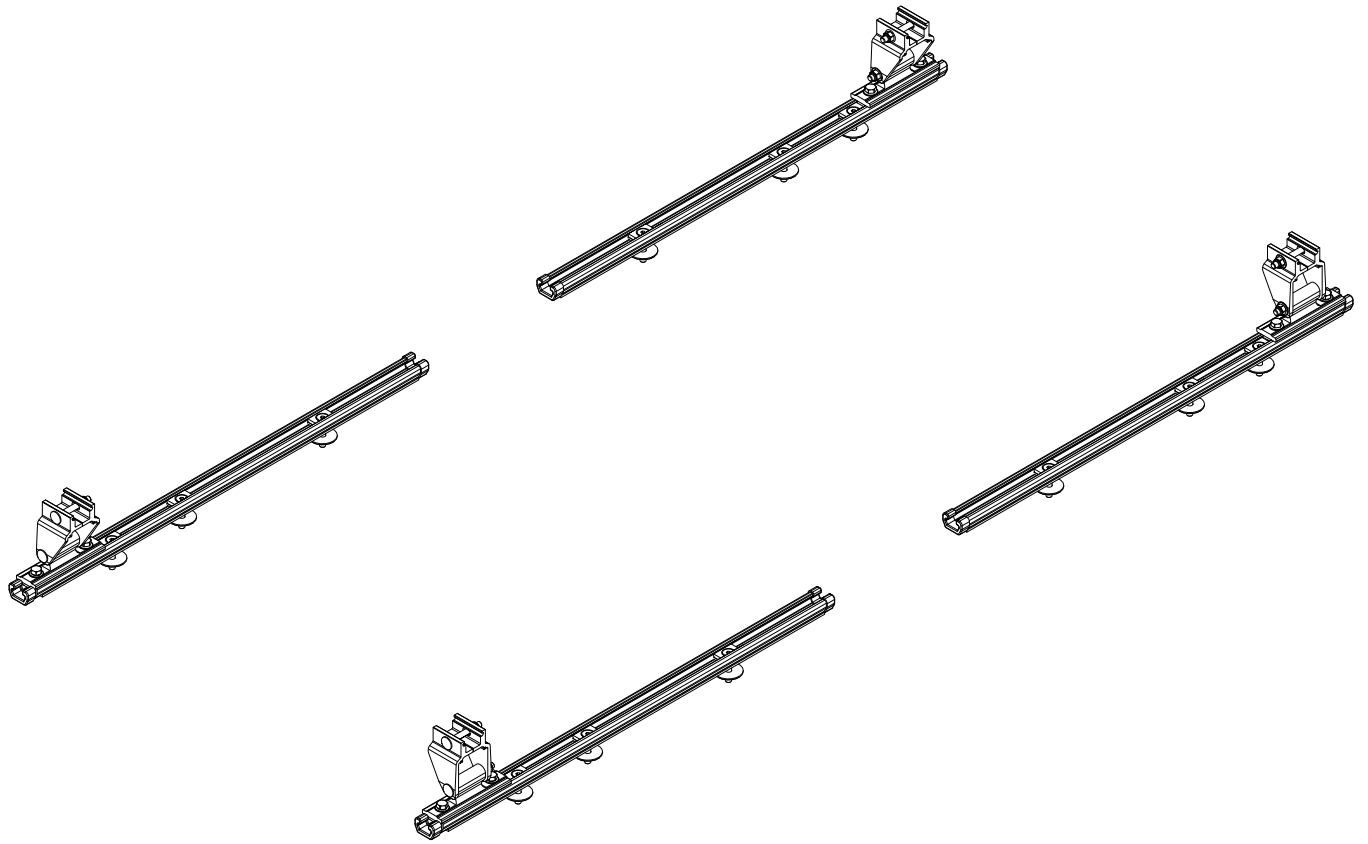
# PRIME DESIGN™

A Safe Fleet Brand



# FBM-1026

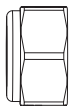
CONTENTS OVERVIEW



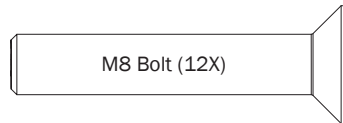
1—Flex Channel Mounting System ..... (Qty 1)  
 With hardware and Mounting Brackets



Channels (4X)



M8 Locknut (12X)



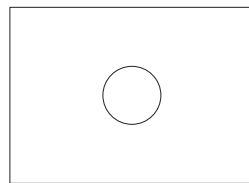
M8 Bolt (12X)



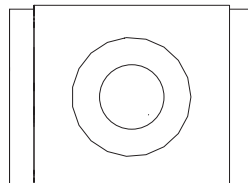
End Caps (8X)



Brackets (4X)



Foam Pad (12X)



Connect Plate (12X)



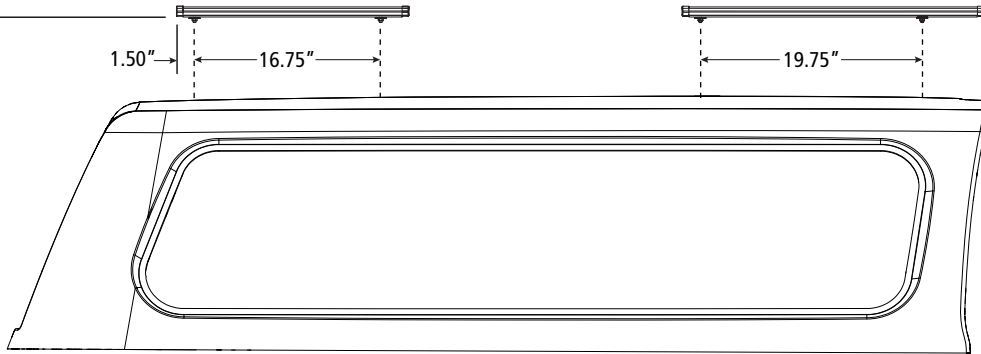
Rubber Washer (12X)

# FBM MOUNTING CHANNELS AND MOUNTING BRACKETS

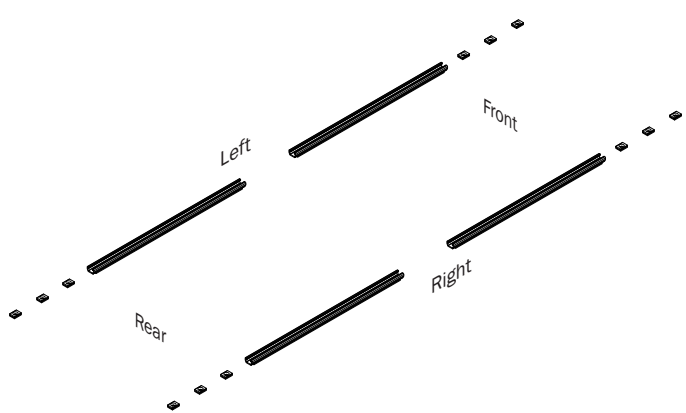
Determine the best location to drill for the Channel Mounting Brackets using the guidelines below.

\* RECOMMENDED: After installing the Mounting Brackets in Step 1, apply Silicone Sealant (not provided in this kit) to bolt heads to seal against water intrusion.

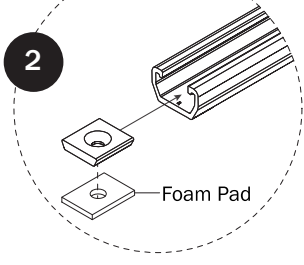
See your Cap Manufacturer's  
OEM for mounting locations



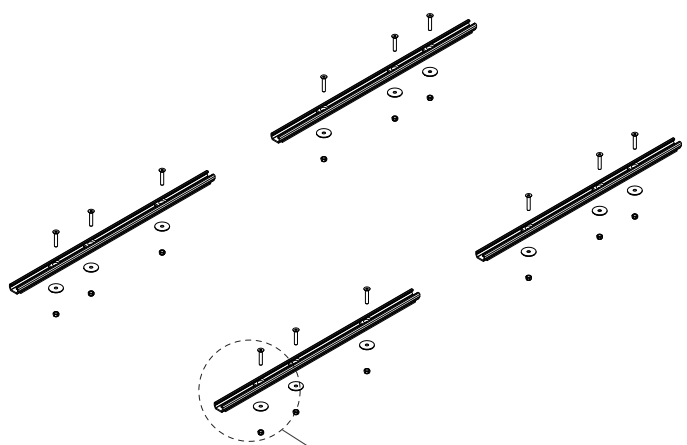
**1** Install Channels into roof channel grooves.



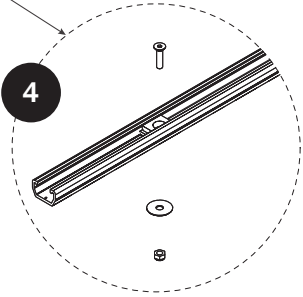
Slide Channel Connectors into Channels as shown.



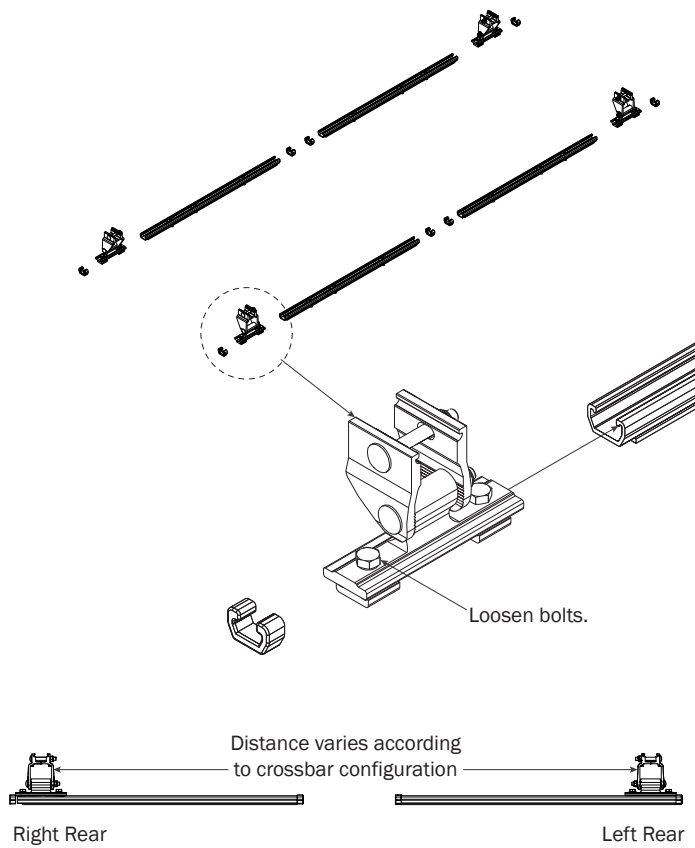
**3** Install Channels into roof Channel grooves.



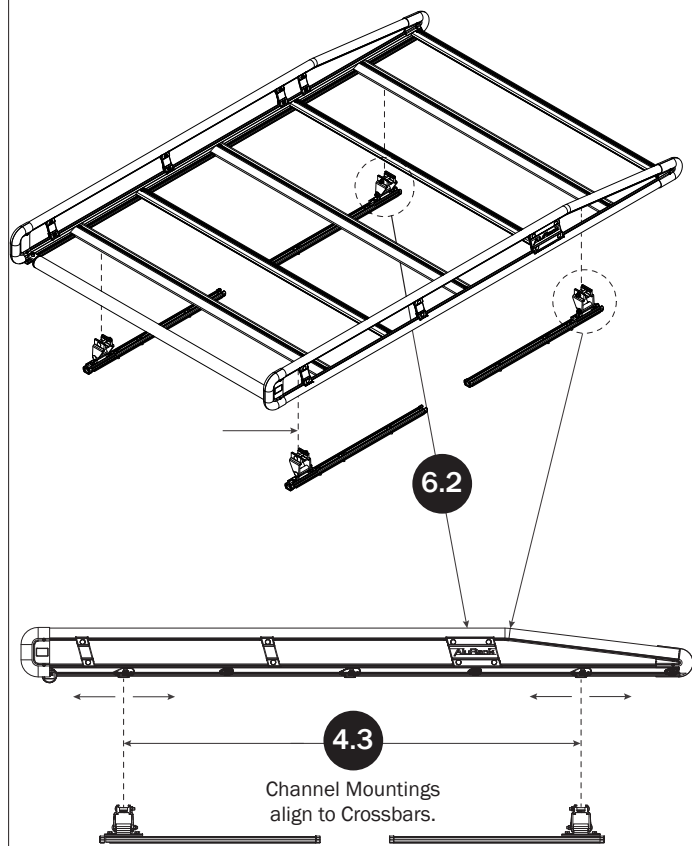
Install fasteners into factory roof mounting hole locations then torque nuts to 80 in-lbs.



**5** Do not torque at this time. Proceed to Step 7 to mount your specific AluRack/Side Rail Configuration.



NOTE: Mounts should be adjusted to attach to Heavy Duty Crossbars only.



## MOUNTING

Shown with AluRack Pickup for illustrative purposes only.

