

FBM-1063

Over The Cab Material Rack
Flip Top, Low-Pro Frame Base
Mount w/ Brace, Top-Mounted

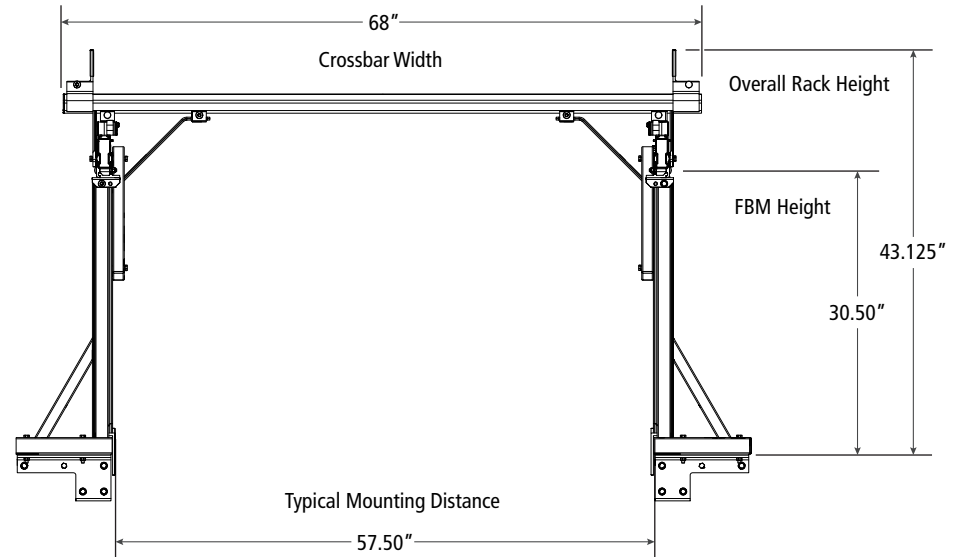
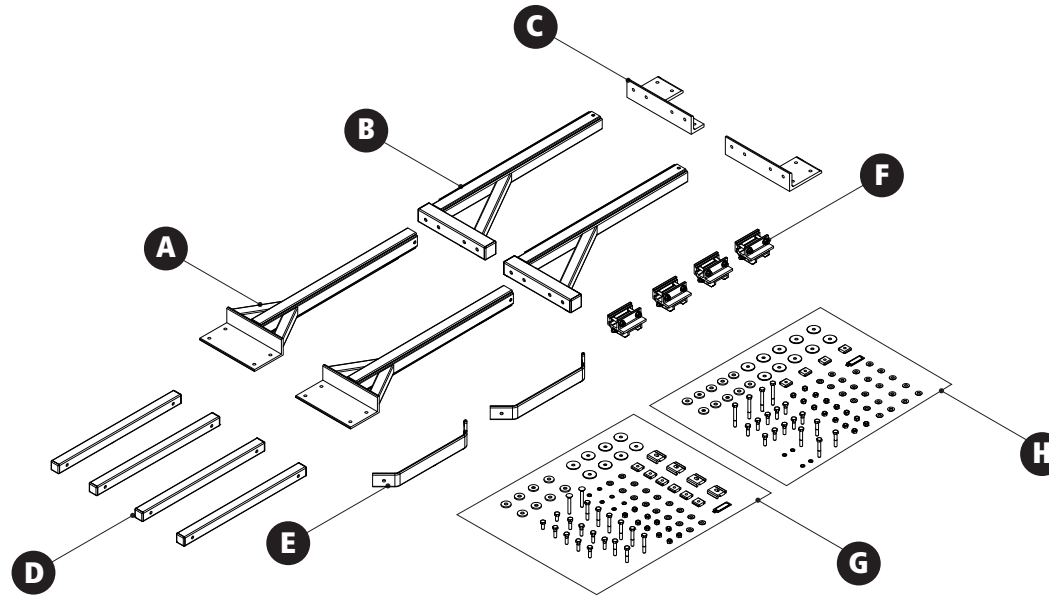
Weight: 33 lbs

Configuration as shown:

- A: UTB-2130 Front Mounting Leg (x2)
- B: UTB-8131 Rear Mounting Leg (x2)
- C: UTB-1115/1116 LH/RH Mounting Brackets
- D: UTB-8117 Rack Brace Assembly (x4)
- E: PUR-1232 Rack Mounting Brace (x2)
- F: PUR-8010 Leg Connector Assembly (x4)
- G: HKT-8065 Side Mount FBM Hardware Kit
- H: HKT-8064 Rear Mount FBM Hardware Kit

[Assembly Manuals](#)

*Shown below with Over the Cab Material Rack Modules SRM and OCM in 8' Body Configuration for illustrative purposes



* See Page 2 for OTC Rack Configurations and Product Listing

FBM-1063

Over The Cab Material Rack Flip Top, Low-Pro Frame Base Mount w/ Brace, Top-Mounted

OTC-8001: 8' & 9' Body; Regular Cab

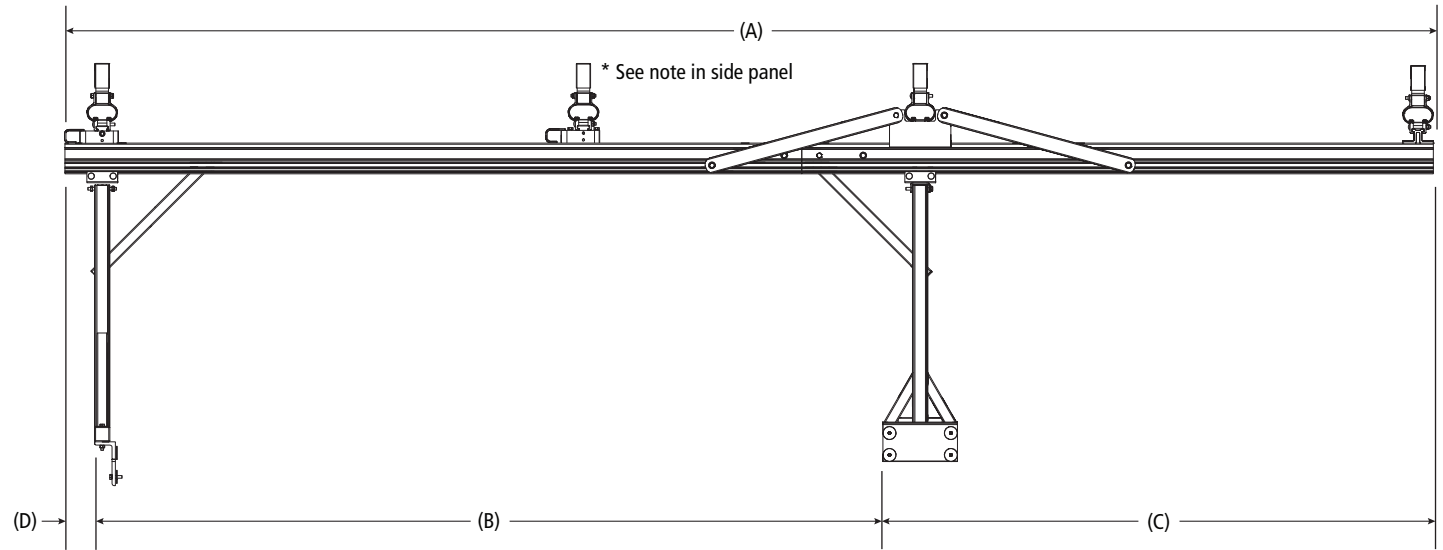
SRM-0072 (x2)..... 72" Side Rail Pair
FBM-1063Base Mount
OCM-3031.....3-Crossbar Module
OR
OCM-3030.....4-Crossbar Module

OTC-8002: 8' & 9' Body; Crew and Extended Cab

SRM-0072 72" Side Rail Pair
SRM-0084 84" Side Rail Pair
FBM-1063Base Mount
OCM-3031.....3-Crossbar Module
OR
OCM-3030.....4-Crossbar Module

OTC-8003: 11' Body; Reg, Crew, and Extended Cab

SRM-0084 (x2)..... 84" Side Rail Pair
FBM-1063Base Mount
OCM-3031.....3-Crossbar Module
OR
OCM-3030.....4-Crossbar Module



*NOTE: Dimensions are for reference only. Please check your service body OEM.

CONFIGURATION	SERVICE BODY SIZE	BODY LENGTH	MOUNT SPACING (B)	OVERALL LENGTH (A)	FRONT OFFSET (C)	REAR OFFSET (D)	REAR CHANNEL LENGTH	FRONT CHANNEL LENGTH
OTC-8007	8' Body Standard Cab	98"	89.875"	144"	50.875"	3.375"	72"	72"
OTC-8008	8' Body Extended Cab	98"	89.875"	156"	62.875"	3.375"	84"	72"
OTC-8008	8' Body Crew Cab	98"	89.875"	156"	62.875"	3.375"	84"	72"
OTC-8007	9' Body Standard Cab	108"	101.875"	144"	38.875"	3.375"	72"	72"
OTC-8008	9' Body Extended Cab	108"	101.875"	156"	50.875"	3.375"	84"	72"
OTC-8008	9' Body Crew Cab	108"	101.875"	156"	50.875"	3.375"	84"	72"
OTC-8009	11' Body Standard Cab	132"	125.875"	168"	38.875"	3.375"	84"	84"
OTC-8009	11' Body Extended Cab	132"	125.875"	168"	38.875"	3.375"	84"	84"
OTC-8009	11' Body Crew Cab	132"	125.875"	168"	38.875"	3.375"	84"	84"