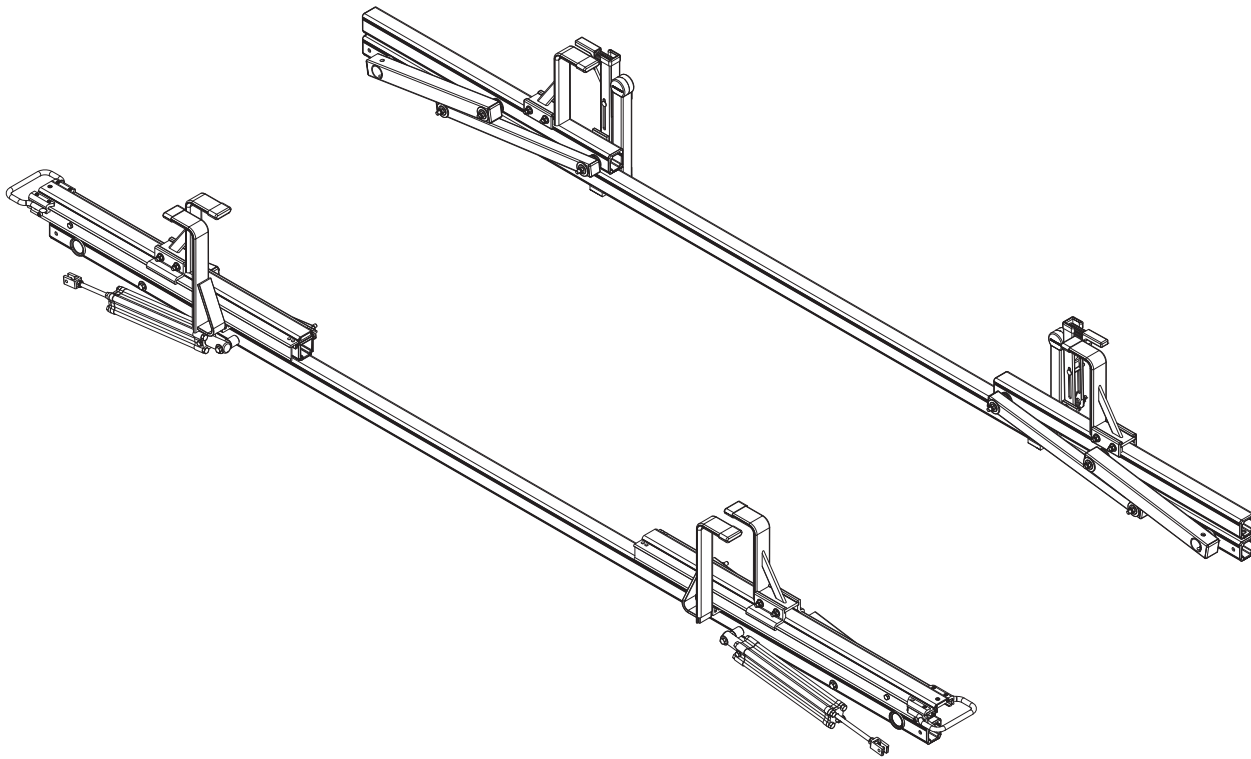


PRIME DESIGN™

A Safe Fleet Brand



108" CROSSBAR ASSEMBLY

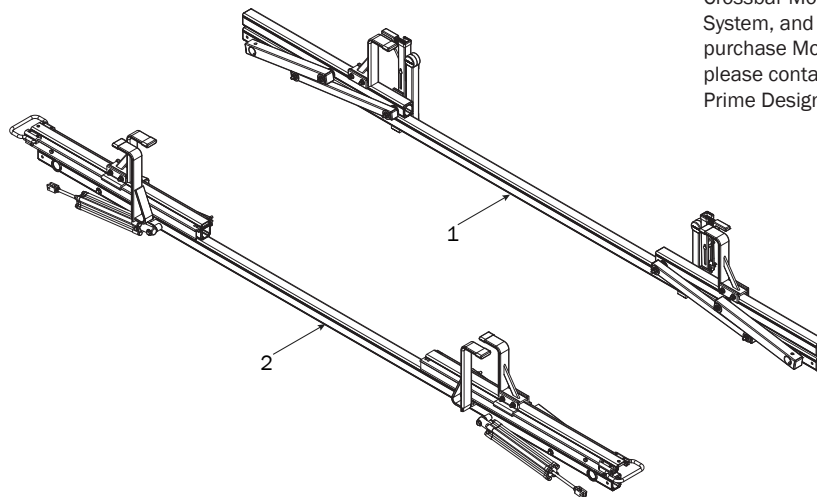
PRIME DESIGN, A SAFE FLEET BRAND • Address: 1689 Oakdale Avenue #102, West St Paul, Minnesota 55118
Toll Free: 1.8.PRIME.RACK • Fax: 651-552-1799 • Email: info@primedesign.net • Website: www.primedesign.net

CBA 3012

CONTENTS OVERVIEW



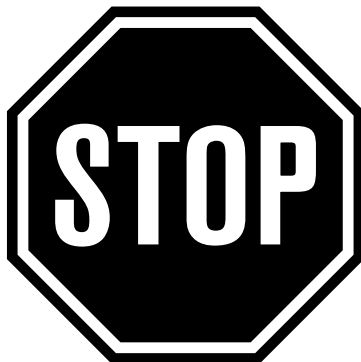
Note: This Crossbar module does not come with Crossbar Mounting Brackets, or a Mounting Base System, and must be purchased separately. To purchase Mounting Brackets or Base System, please contact your authorized distributor, or a Prime Design Sales & Service Representative.



- 1—Front Crossbar (Qty 1)
Gen 4, 108.00”
LH Rotation, RH Rotation



- 2—Rear Crossbar..... (Qty 1)
Gen 4, 108.00”
LH Rotation, RH Rotation



READ FIRST!

Do not mount the Crossbars to an FBM system at this time.
Refer to the respective FBM Assembly Manual(s) included with your chosen rack configuration features.

WARNING: Failure to position the Crossbars as shown in your FBM Assembly Manual may result in damage to the sliding and/or swinging doors, and/or ladder rack.

INSTALLER NOTE: To purchase applicable features and accessories, please contact your authorized distributor, or a Prime Design Sales & Service Representative.