

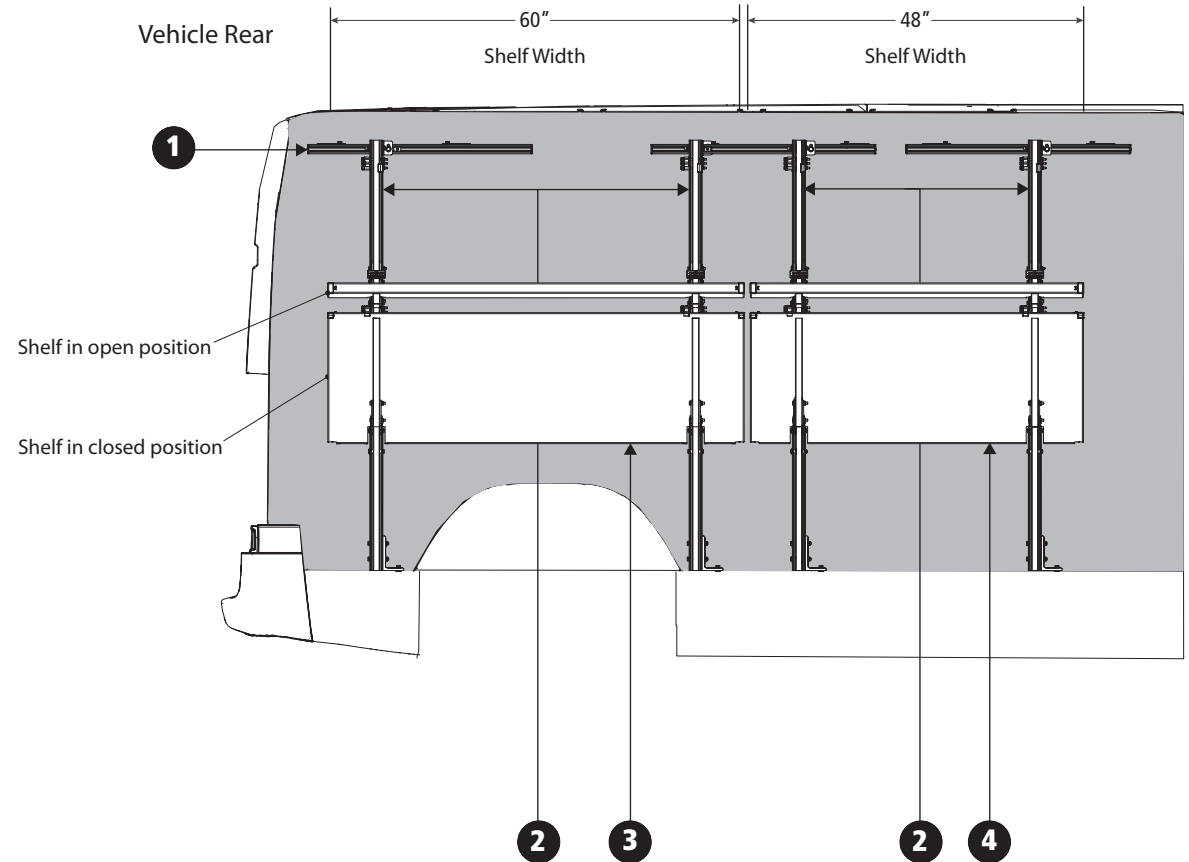
## CS-SP21-01 Cantilever Shelving Mercedes Sprinter 144" Wheel Base

Driver Side Layout  
Required Assemblies:

CALLOUT NUMBER	PRODUCT NUMBER	QTY
1	CSM-1002	1
2	CSU-3015*	4
3	CSS-5007	1
4	CSS-5006	1

\*See CSU-3015 Assembly Manual for Modifications required for Sprinter L2H1 configurations

# DRIVER SIDE



## CS-SP21-01 Cantilever Shelving Mercedes Sprinter 144" Wheel Base

Passenger Side Layout  
Required Assemblies:

CALLOUT NUMBER	PRODUCT NUMBER	QTY
1	CSM-1002	1
2	CSU-3015*	2
3	CSS-5007	1

\*See CSU-3015 Assembly Manual for Modifications required for Sprinter L2H1 configurations

# PASSENGER SIDE

