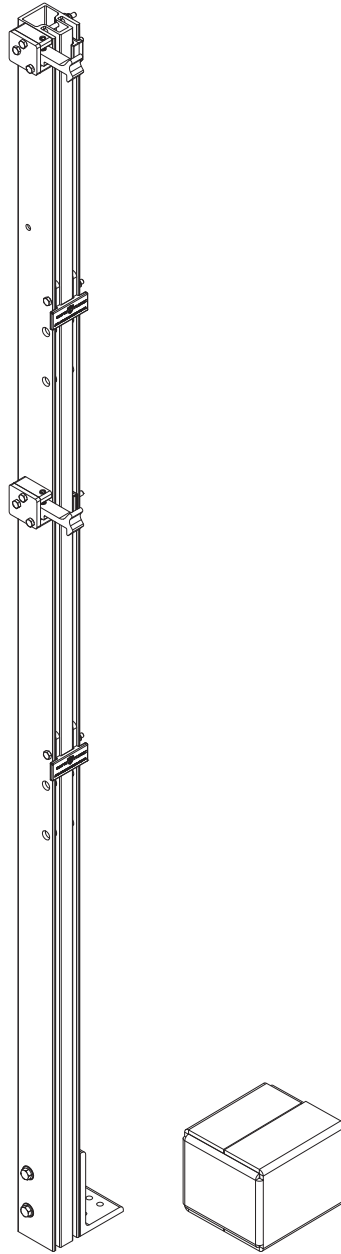


PRIME DESIGN™

A Safe Fleet Brand



CSU-3001-3002

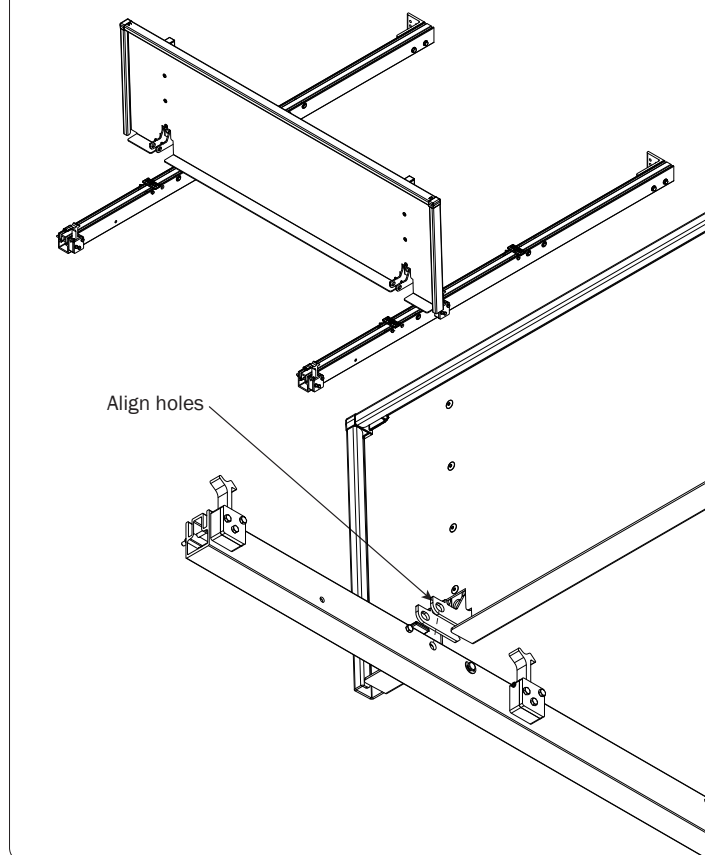


2 Person Lift Recommended

Cantilever Shelving Upright Assembly

Page 2	Packaging Contents
Page 3	Requirements & Assembly Instructions
Pages 3-5	Assembly Instructions

- 3** Attach upper Shelving to the supports as shown.



- 4** Install Hinge Pin and Retain Ring as shown.

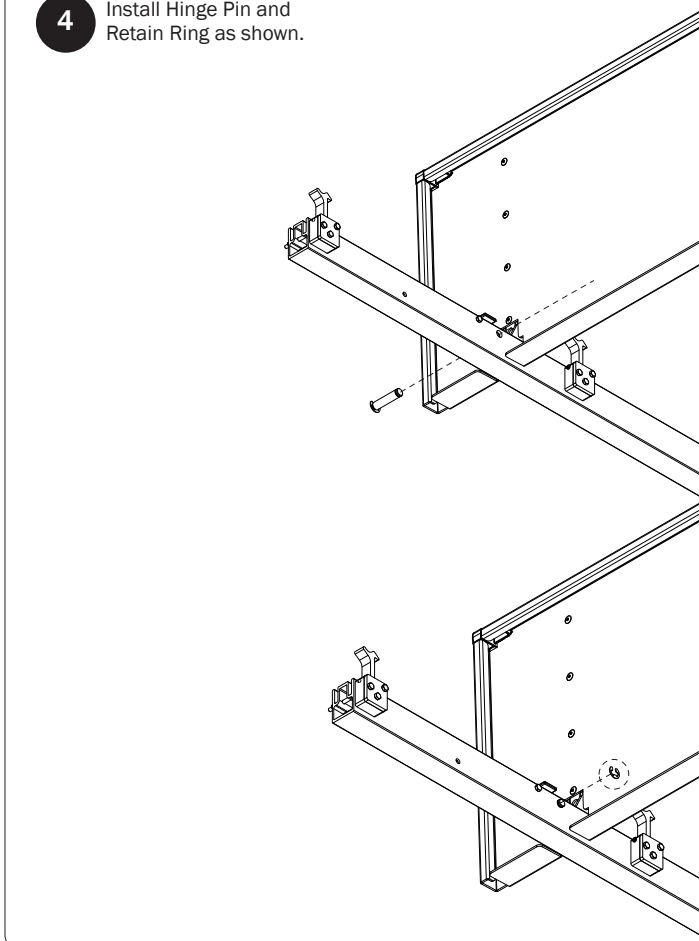
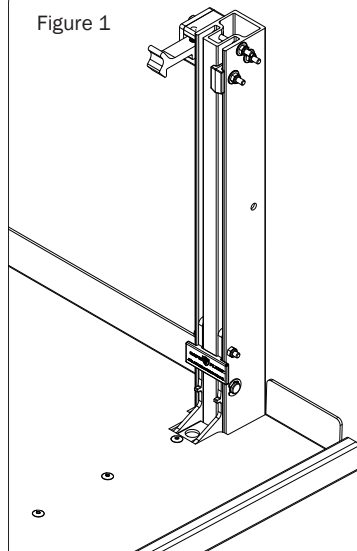


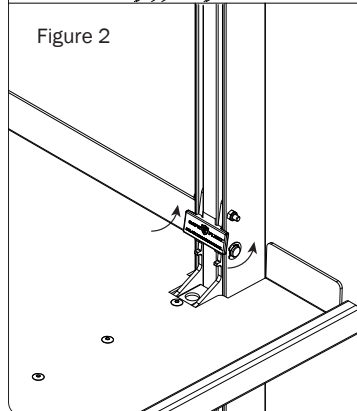
Figure 1



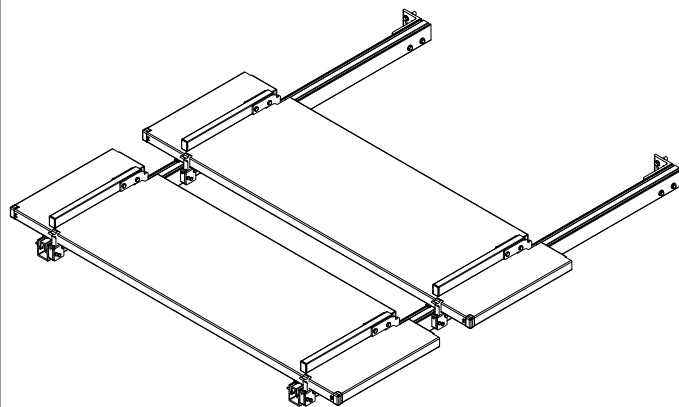
- 5** The Shelving Lock is engaged when shelving is open. To disengage and close shelving, pull lock out and down as shown in Figure 2.

Close the shelving in preparation for the next steps.

Figure 2

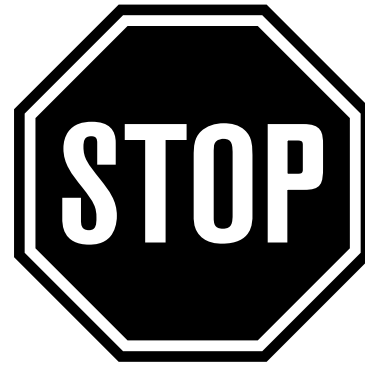
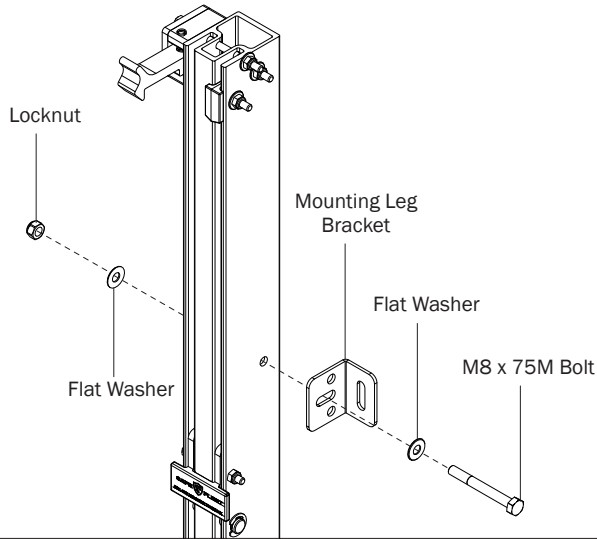


- 6** Repeat Steps 3–5 to install the lower Shelf.



7 If not pre-installed: attach the Mounting Leg Bracket to your Upright as shown according to your configuration and torque to 90 in-lbs.

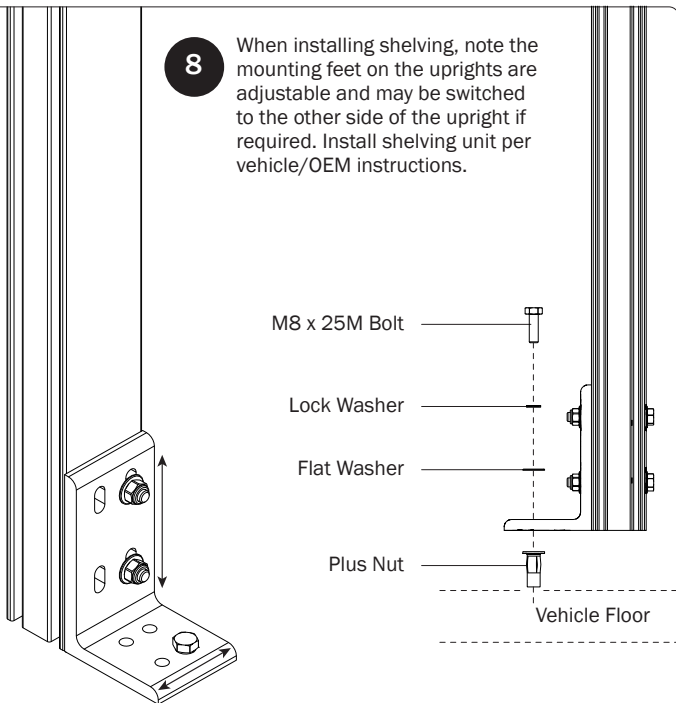
NOTES: Mounting Leg Bracket construction varies per configuration. The view below is for illustrative purposes only. Install per your vehicle/OEM instructions and layout needs.



Cantilever Shelving is now ready to install into your Vehicle. Refer to your Cantilever Shelving Mounting Assembly Manual to mount Cantilever Shelving to your Vehicle interior wall. Proceed to Step 8 to Install Upright Mounting Feet to your Vehicle floor.



8 When installing shelving, note the mounting feet on the uprights are adjustable and may be switched to the other side of the upright if required. Install shelving unit per vehicle/OEM instructions.



WARNING: Before drilling, ensure the bolt location will not damage any critical parts of the vehicle—i.e. gas tank, wiring harnesses, or hoses.

Page Intentionally Left Blank

Page Intentionally Left Blank

