

# PRIME DESIGN™

A Safe Fleet Brand

## CSU-3008

### Cantilever Shelf Upright 18" Shelving

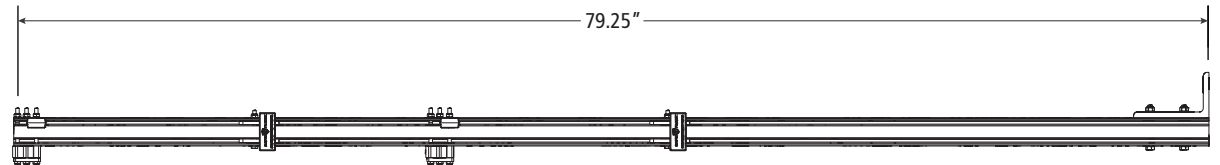
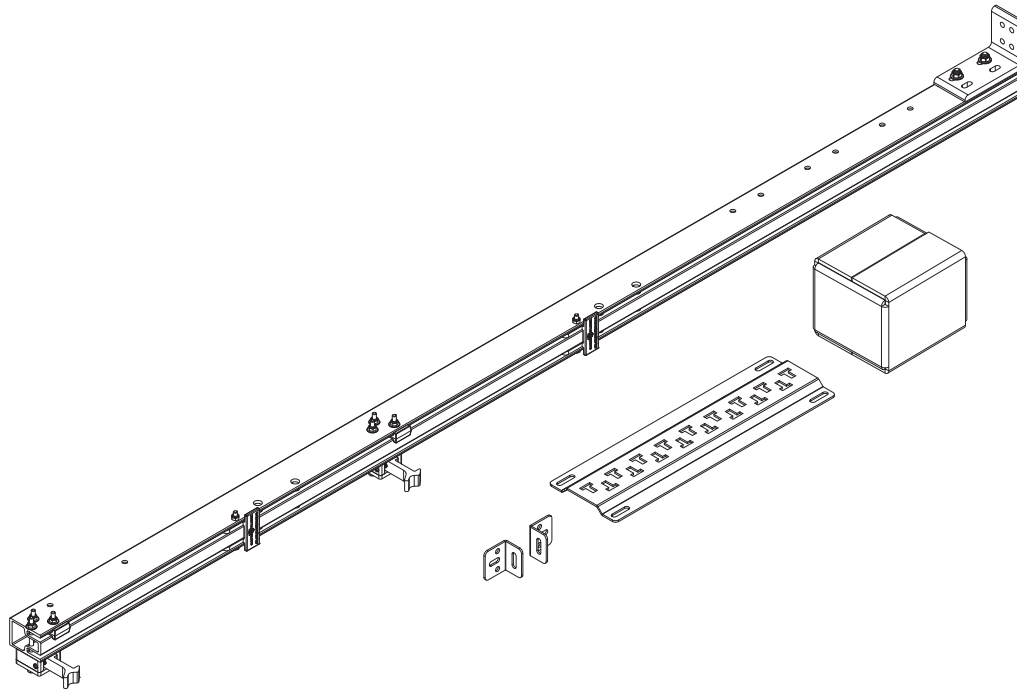
*Approximate dimensions as shown:*

Packaged Height ..... 79.25"

Cut Heights\* ..... 73.25"

..... 67.25"

..... 61.25"



*\*Note: See Assembly Manual for details on height modifications and cutting.*

*Assembly Manual also available:*

## CSU-3008

USOV-CSU3008-US01 Rev-A 0221