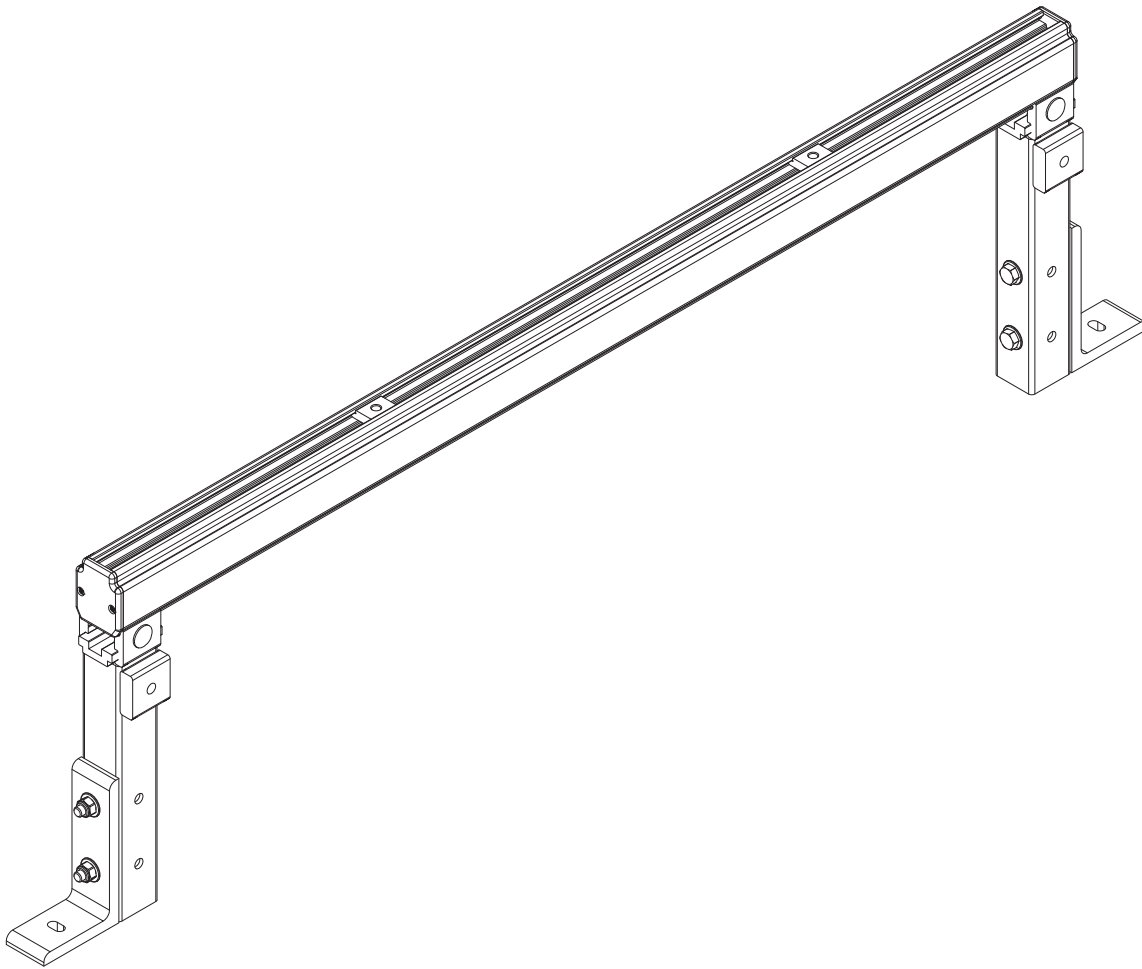


PRIME DESIGN™

A Safe Fleet Brand

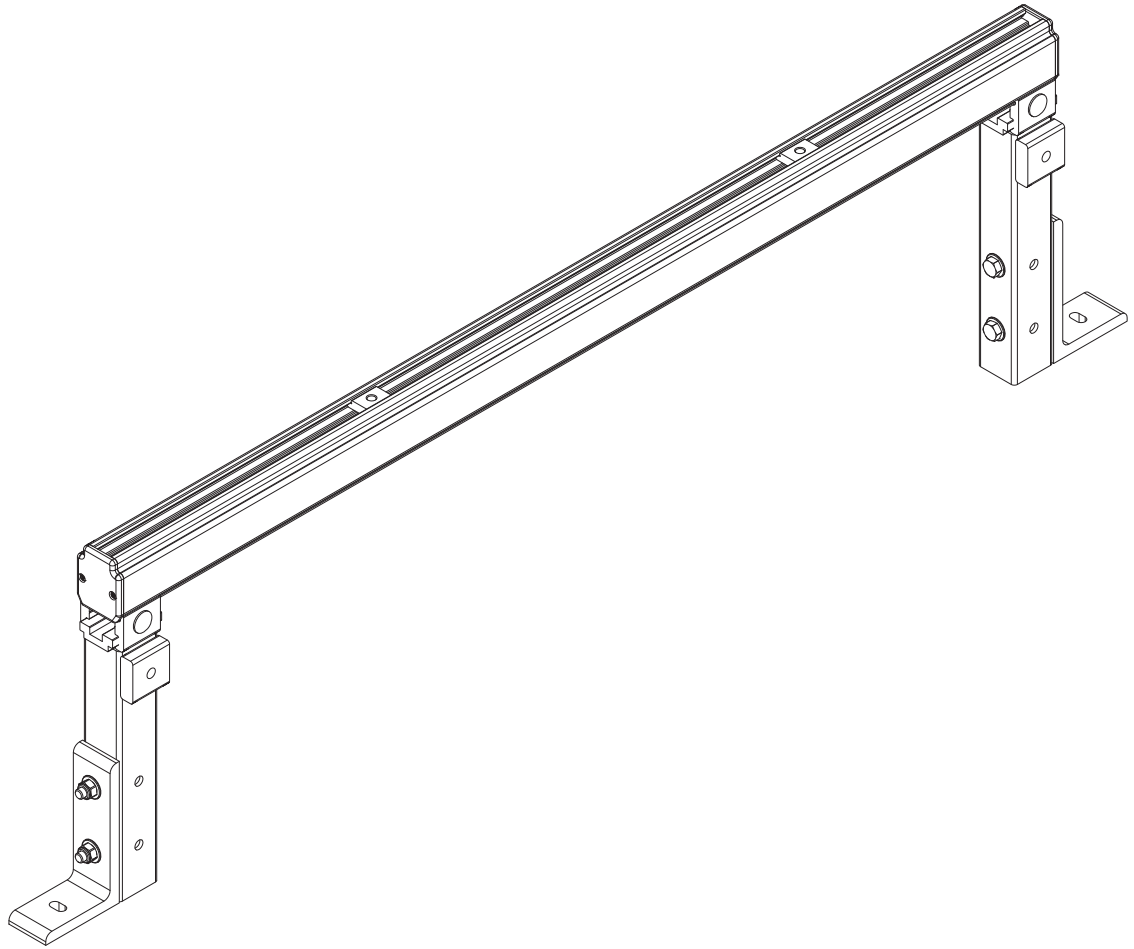


Prime Design Cantilever Shelving Support Base Assembly

Page 2 Packaging Contents
Pages 3-4 Mounting to the Wheel Well

CSU-3100

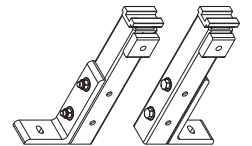
CONTENTS OVERVIEW



CSU-3100.....(Qty 1)



Shelving Support Base (1X)



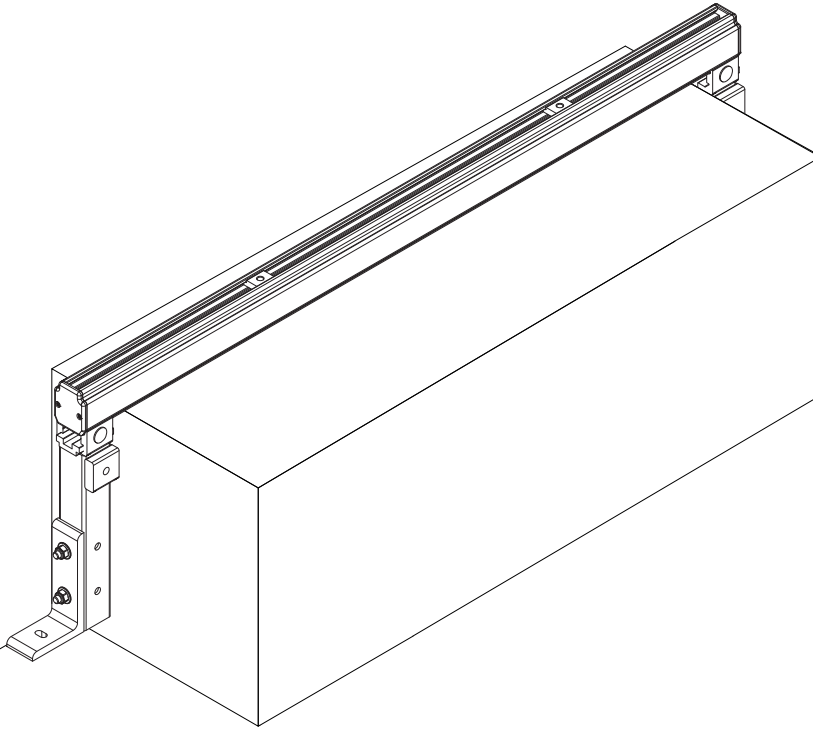
Mounting Feet (2X)



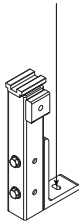
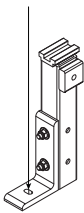
Base Connector (2X)

MOUNTING SEQUENCE

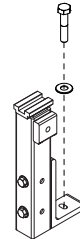
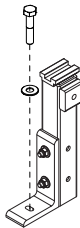
NOTE: Positioning of the Support Base will vary according to customer vehicle layout. See OEM for recommendations.



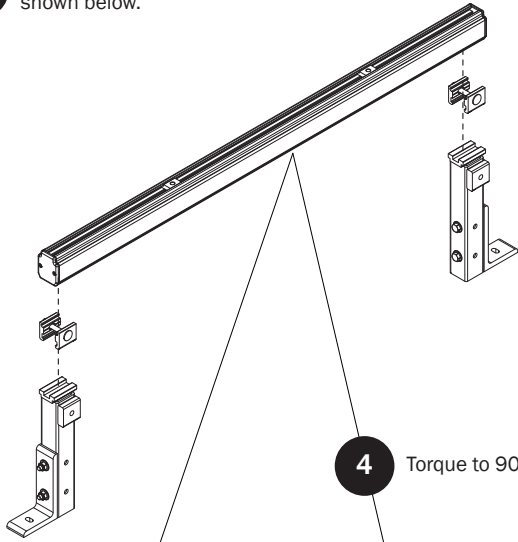
- 1** Place Mounting feet and drill as required for your configuration.



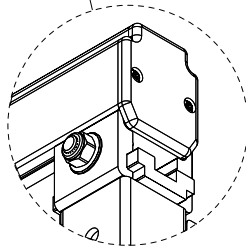
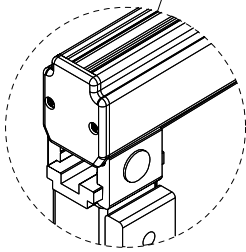
- 2** Install hardware as required according to your OEM. Hardware not included.



3 Assemble as shown below.



4 Torque to 90 in-lbs



USAM-CSU3100-US01 Rev-A 0121