

PRIME DESIGN™

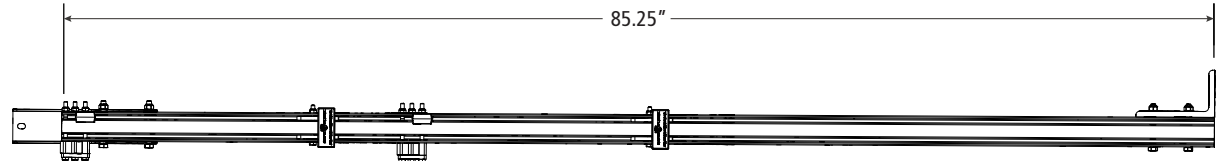
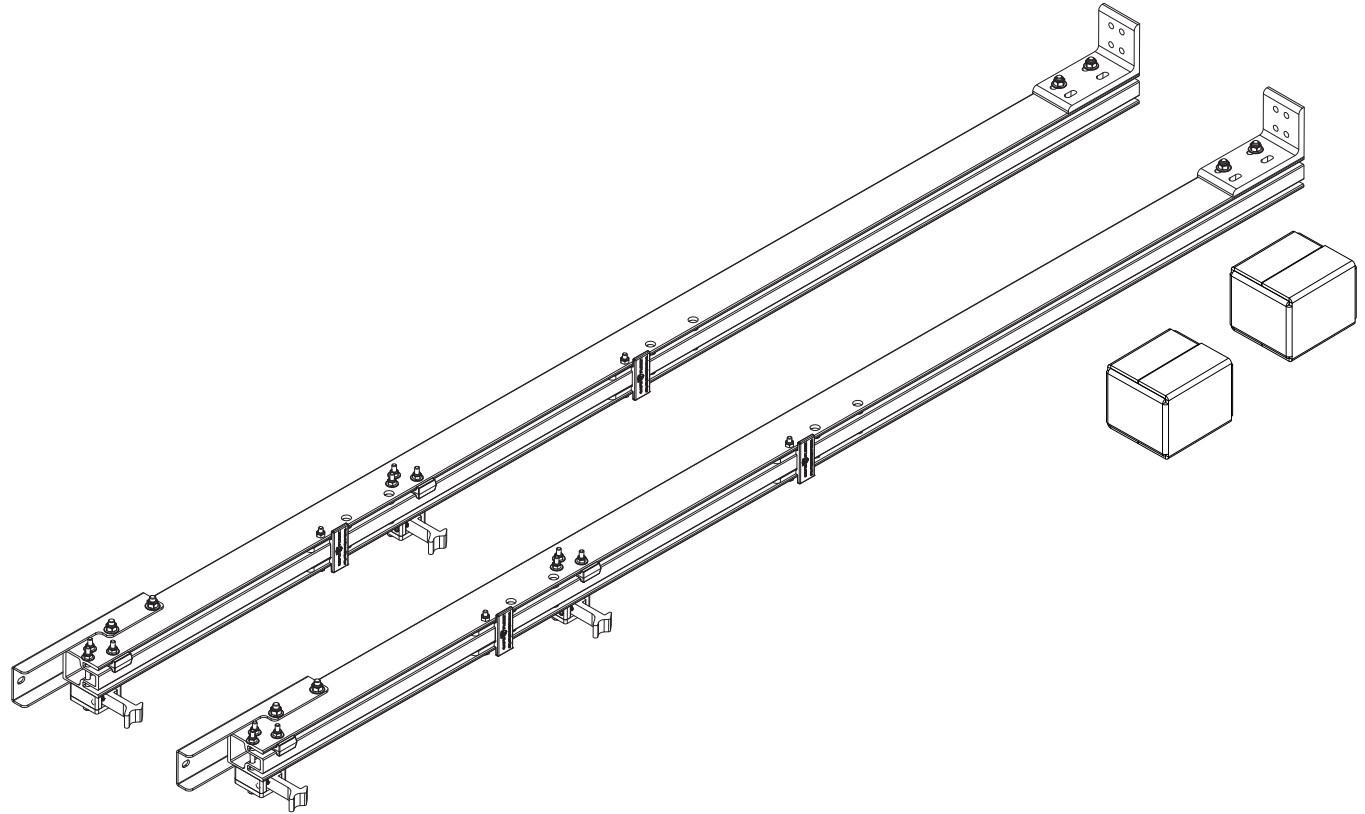
A Safe Fleet Brand

CSU-3212

Cantilever Shelf Upright 18" Shelving

Approximate dimensions as shown:

Packaged Height 85.25"



**Note: See Assembly Manual for details on height modifications and cutting.*

Assembly Manual also available:

[CSU-3212](#)

USOV-CSU3212-US01 Rev-A 0321