

PRIME DESIGN™

A Safe Fleet Brand

CSS-5008

Cantilever Shelf Pair

Configuration as shown:

72" Length x 18" Width

Weight: 50 lbs

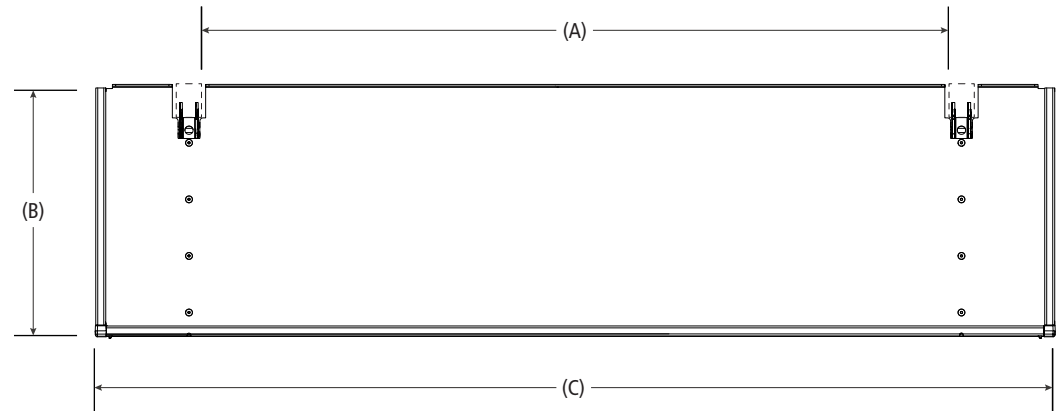
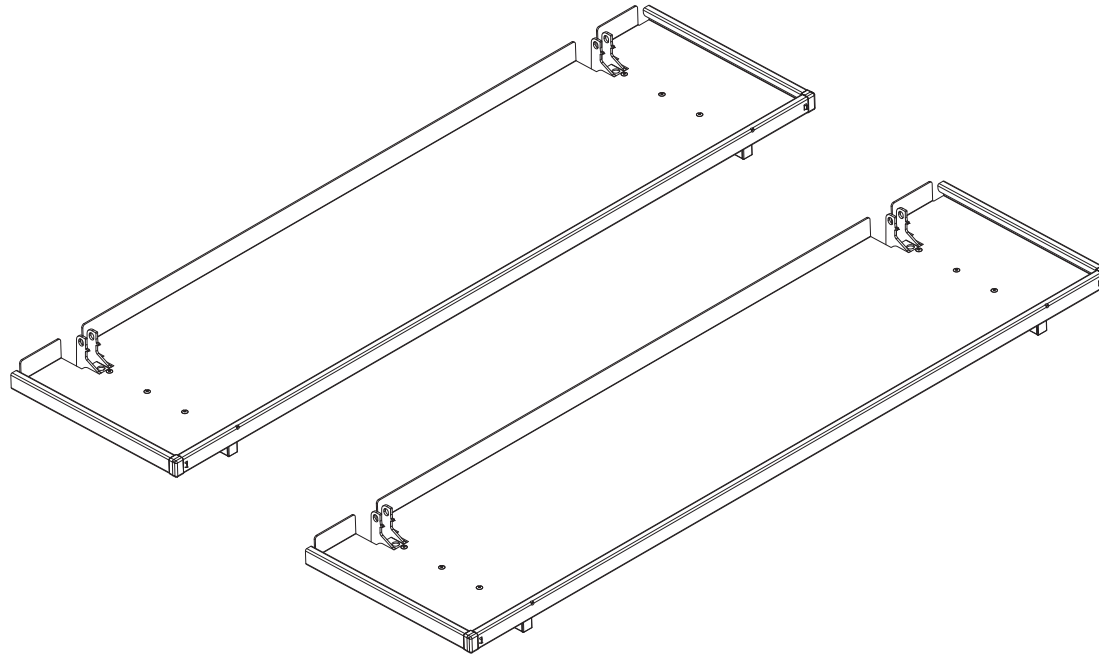
Approximate dimensions as shown:

A: Distance Between Uprights 56.125"

B: Shelf Height 18"

C: Shelf Length 72"

**Mounting Hardware ordered separately*



**Note: Mounting Hardware purchased separately. For more information, please contact Sales & Support.*

Assembly Manual also available:

CSS-5000 Series

USOV-CSS5008-US01 Rev-A 0221