

CHEVROLET SILVERADO

Combine heavy-duty strength with stylish looks and improved safety

Keep productivity high and lower the risk of injuries and worker compensation claims by installing the right roof-storage solution on your Chevrolet Silverado.

Prime Design's ergonomic, patented and award-winning solutions have helped business owners around the world eliminate or reduce the costs, stress and business pressures caused by work-related injuries.



PCR-255

Rack + weight of ladders shown is approximately 165 lbs.



Maximize the safety and carrying capacity of your Silverado with an ErgoRack.



Easy to use – deploys with only 2 fingers.



Maintain vehicle warranty and resale value with no holes to drill.



Eliminates slip and fall hazards from climbing on bumper or tire.



Hydraulic cylinder provides smoothest, controlled descent of any rack in the industry.



Improve productivity – Deploy or stow in less than 20 seconds.



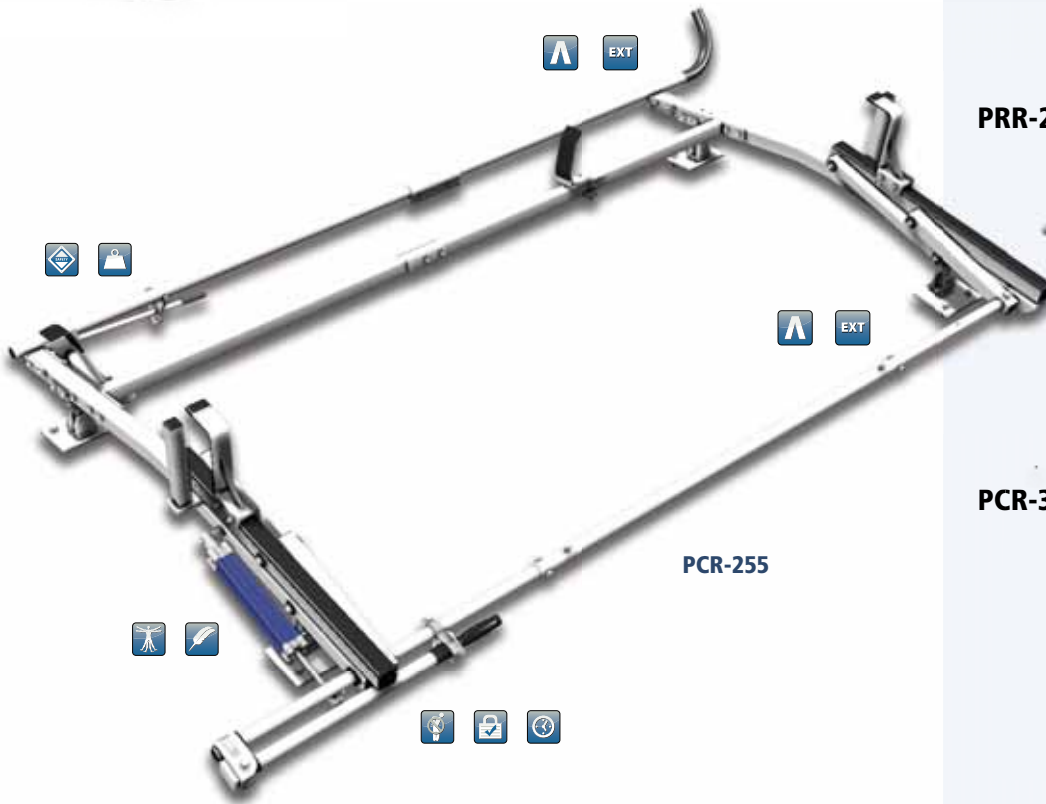
Winner of ergonomic awards in USA, France, Germany and Australia.



Search term "Chevrolet Silverado ErgoRack" to find more information.



CHEVROLET SILVERADO



PBR-255



HORIZONTAL ROTATION

PRR-255



DOUBLE ROTATION

PCR-357



BED MOUNTED

STREET SIDE	LADDER SIZE	CURB SIDE	LADDER SIZE	RACK WEIGHT	STANDARD MODELS
ONE LADDER					
Base	NA	Clamp	6-10' / 6-40'	28 ilb	PBC-255
Base	NA	Rotation	6-10' / 16-40'	87 lbs	PBR-257*
Base	NA	Rotation	6-10' / 16-40'	57 lbs	PBR-255
Base	NA	Rotation	6-10' / 16-40'	97lbs	PBR-357*
TWO LADDERS					
Clamp	6-10' / 16-40'	Clamp	6-10' / 16-40'	53 lbs	PCC-255
Clamp	6-10' / 16-40'	Rotation	6-10' / 16-40'	72 lbs	PCR-255
Clamp	6-10' / 16-40'	Inclined	6-10' / 16-28'	72 lbs	PCI-255
Clamp	6-10' / 16-40'	Rotation	6-10' / 16-40'	110 lbs	PCR-357*
Rotation	6-10' / 16-40'	Rotation	6-10' / 16-40'	90 lbs	PRR-255
Rotation	6-10' / 16-40'	Rotation	6-10' / 16-40'	96 lbs	PRR-355
Rotation	6-10' / 16-40'	Inclined	6-10' / 16-28'	85 lbs	PRI-255
Rotation	6-10' / 16-40'	Inclined	6-10' / 16-28'	95 lbs	PRI-355

For rotation style ladder racks, crossbars can be spaced at 5, 6, 7, or 8 feet. Ladders 28 feet or longer require 8 foot spacing of crossbars. For step ladders longer than 10 feet, an optional extended rear upper is available. Check the vehicle's manufacturer recommendation for roof capacity weight limit. * Bed mount model.

Step Ladder Extension Ladder

ML-7.2-4003 / Rev D / 09-17-2015