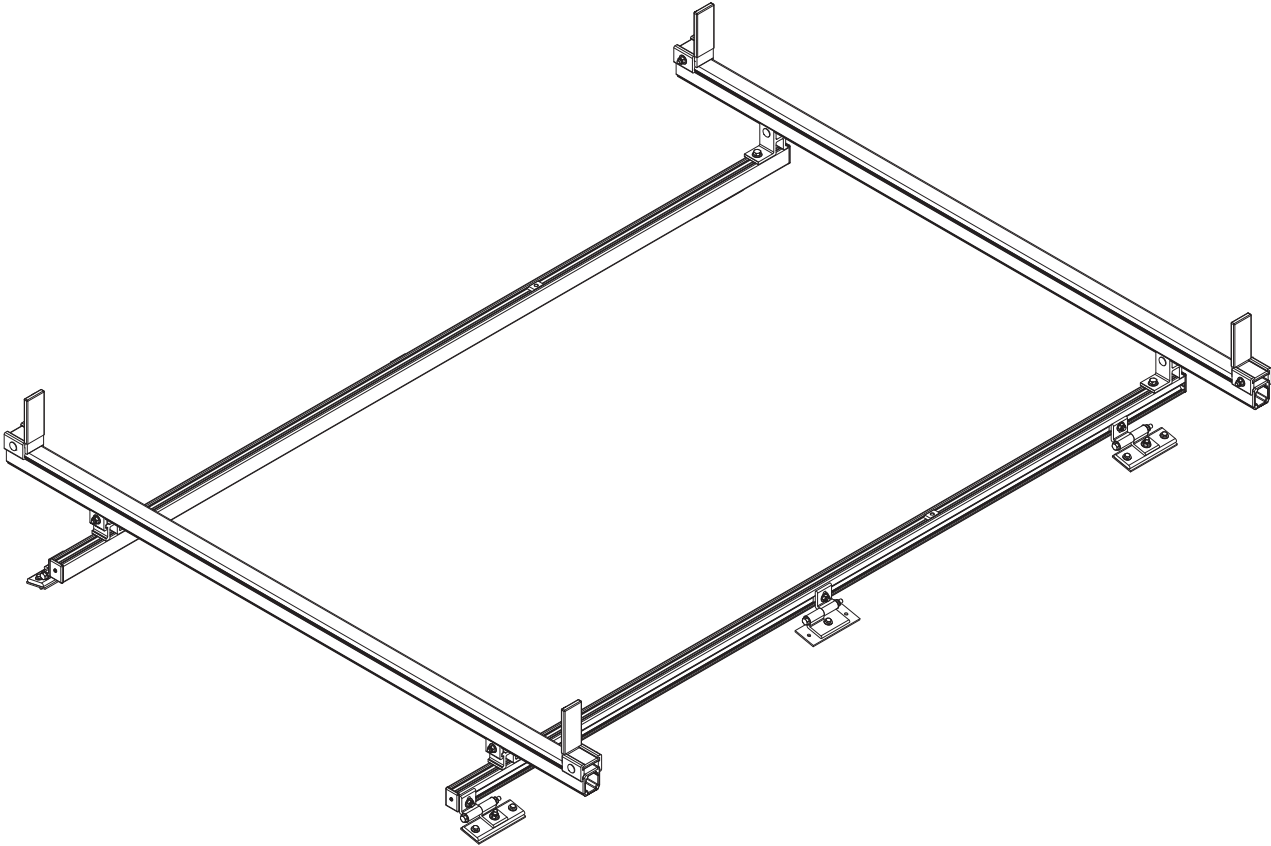


# PRIME DESIGN™

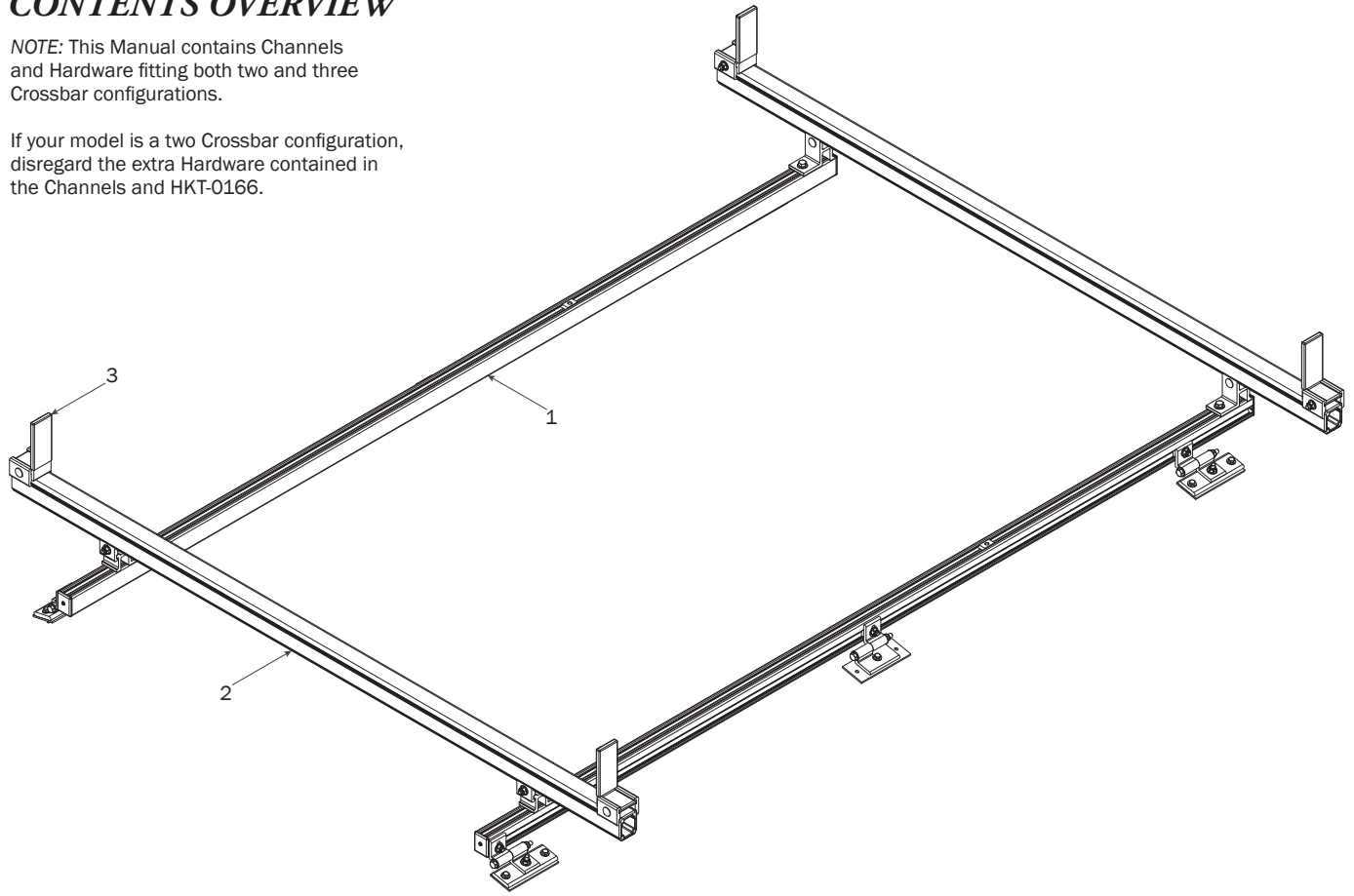
A Safe Fleet Brand



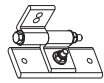
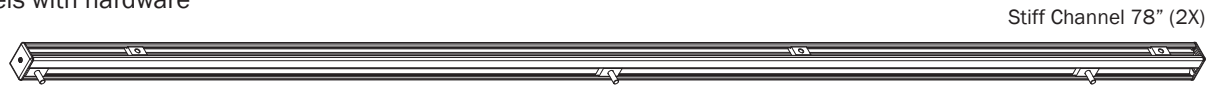
## CONTENTS OVERVIEW

NOTE: This Manual contains Channels and Hardware fitting both two and three Crossbar configurations.

If your model is a two Crossbar configuration, disregard the extra Hardware contained in the Channels and HKT-0166.



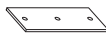
1—FBM-0113 ..... (Qty 1)  
Channels with hardware



Mounting Foot (4X)



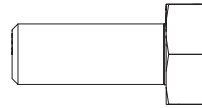
Mounting Mid-Foot (2X)



Foam Pad (6X)



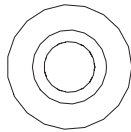
Channel Bracket (4X)



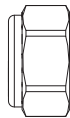
M8 x 20MM (6X)



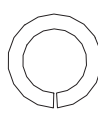
M6 X 25MM (10X)



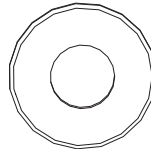
Sealing Washer (10X)



M8 Lock Nut (6X)



5/16" Lock Washer (6X)



5/16" Flat Washer (22X)

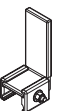


Anti-Seize (1X)

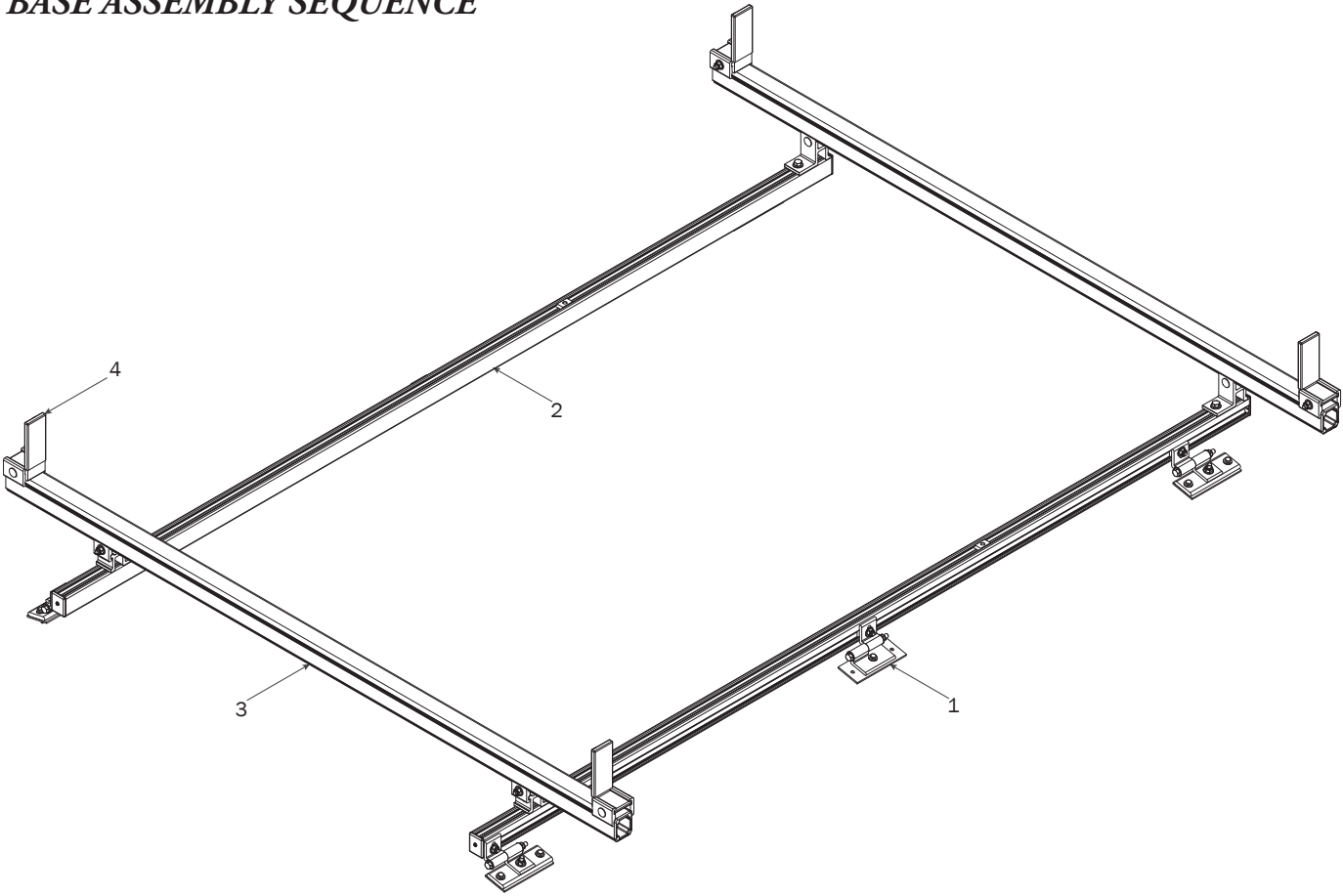
2—Crossbar Assembly..... (Qty 2)



3—Ladder Stop Assembly ..... (Qty 4)  
1.75"

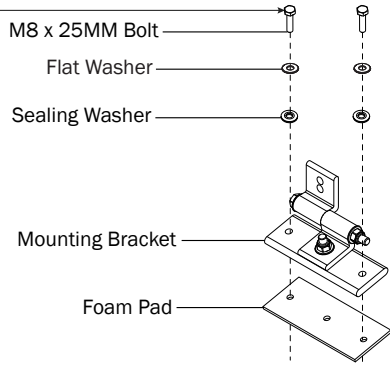
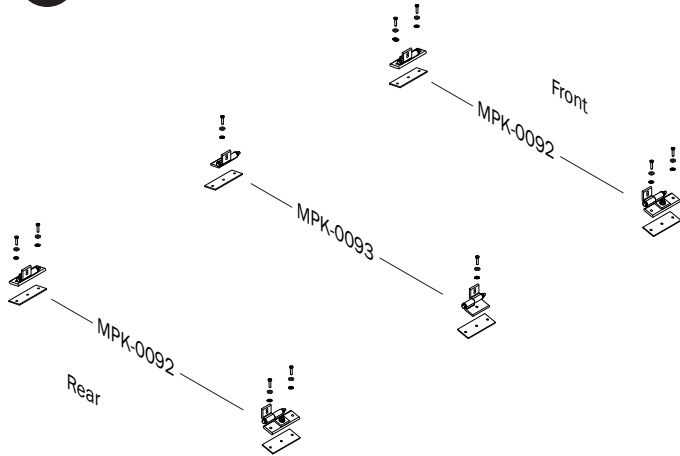


# BASE ASSEMBLY SEQUENCE



## MOUNTING BRACKETS

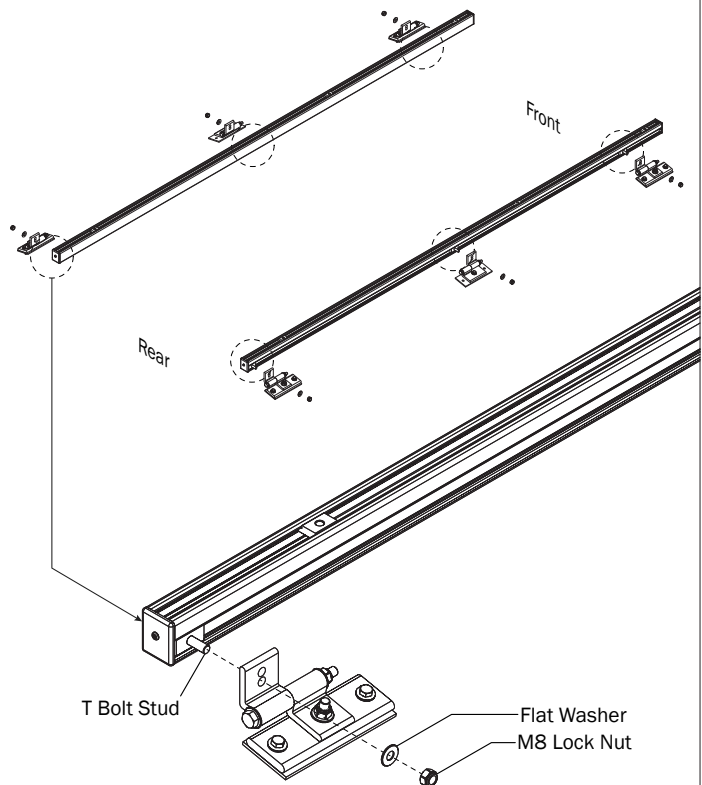
**1** Install the Channel Mounting Brackets into the vehicle's roof mounting holes and torque to 90 in-lb.

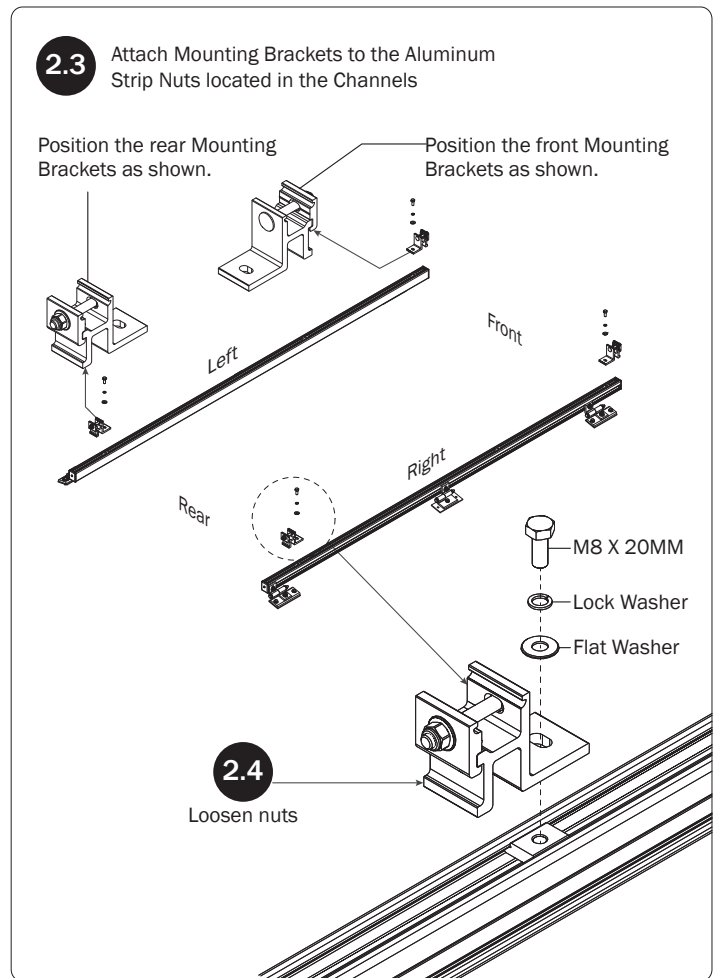
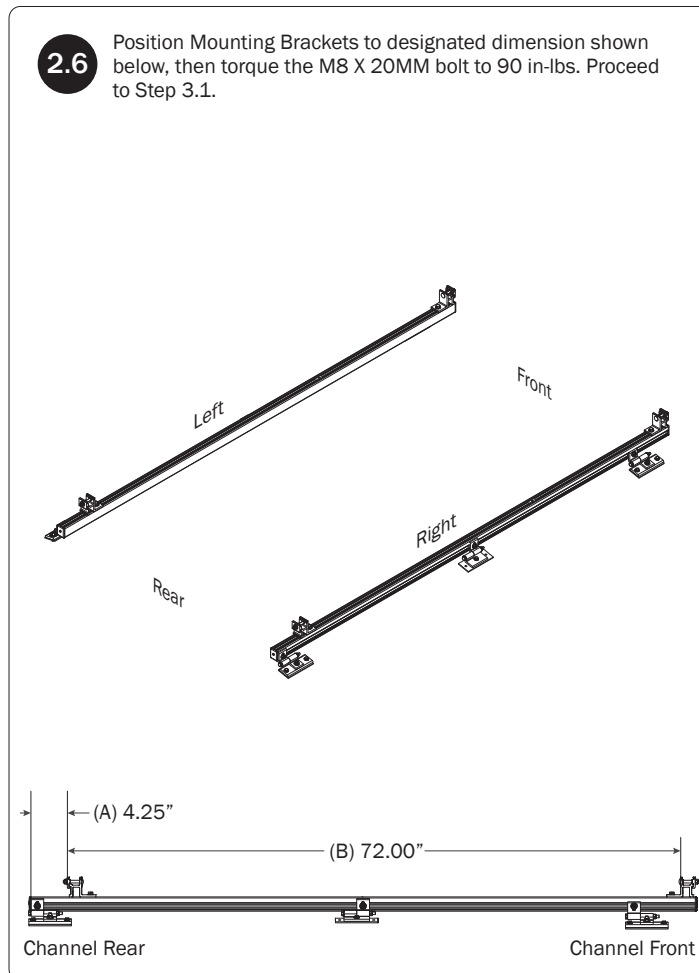
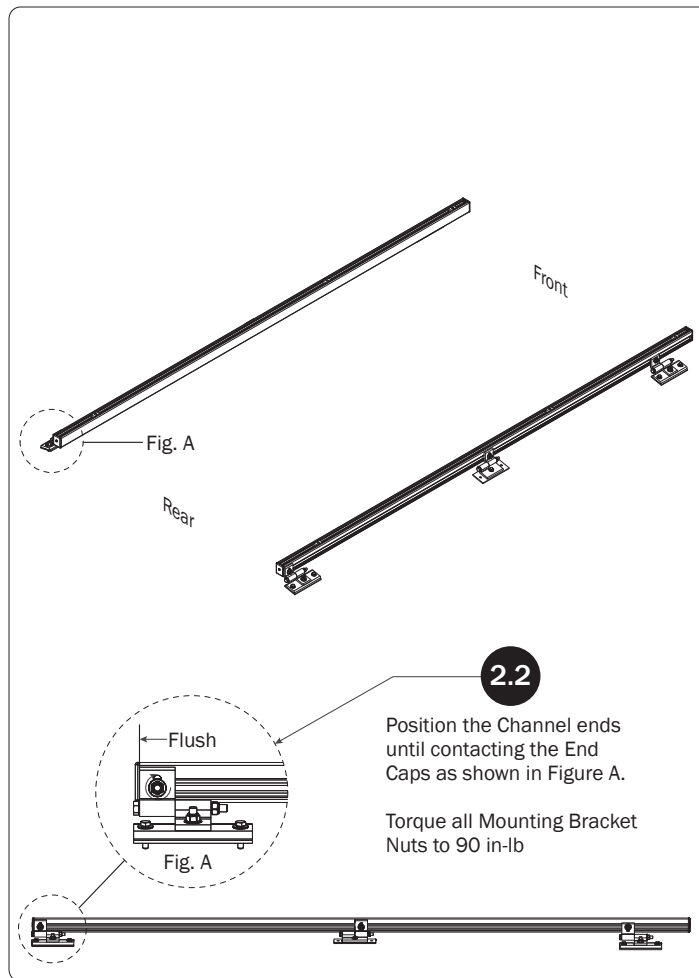


**Anti-Seize**  
Must apply Anti-Seize Compound and torque to specified value.

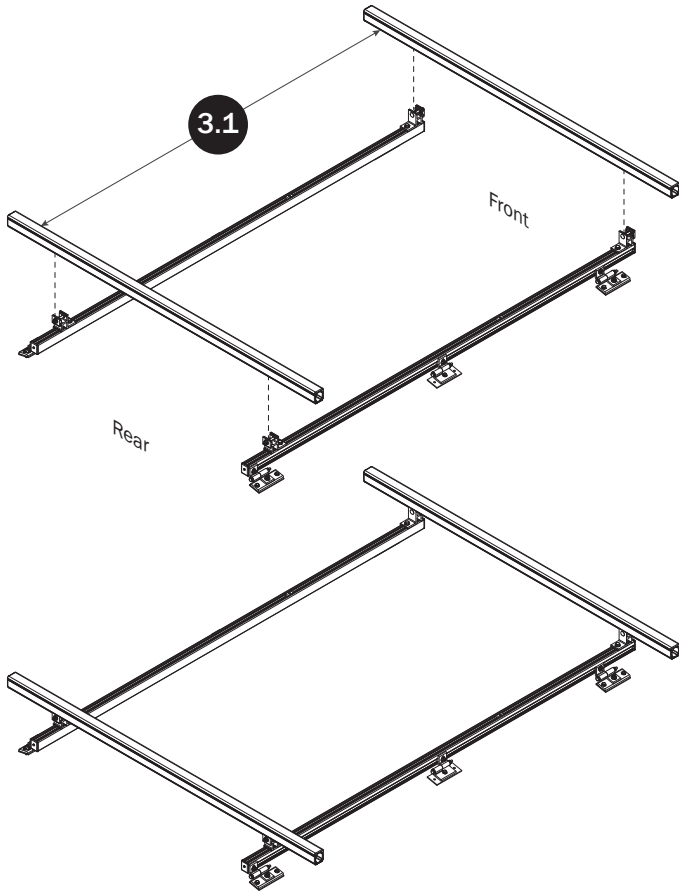
## CHANNELS

**2.1** Apply Anti-Seize to all M8 T Bolt studs, then attach the Channels to the Mounting Brackets using the indicated hardware. Do not tighten until Step 2.2

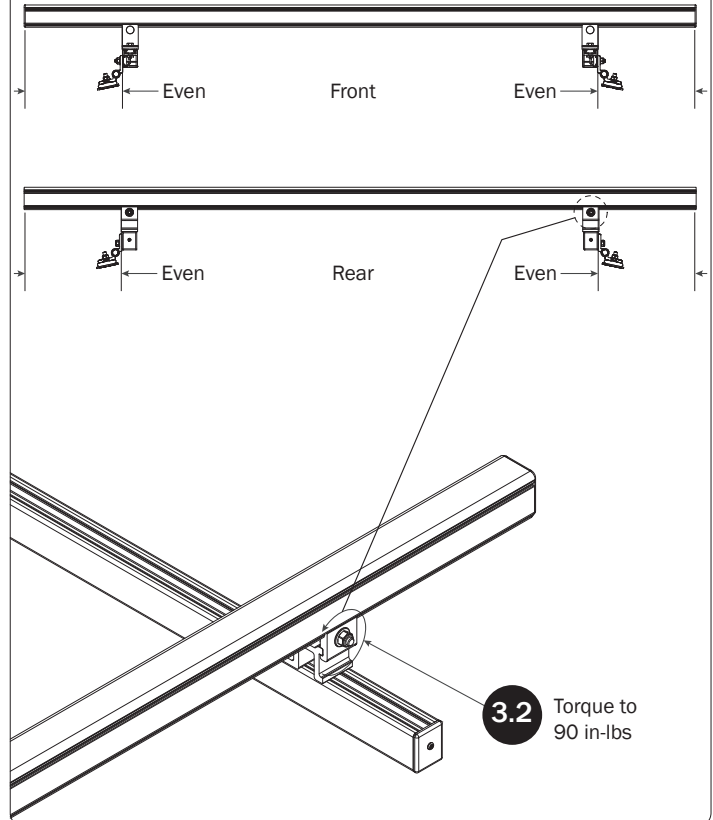




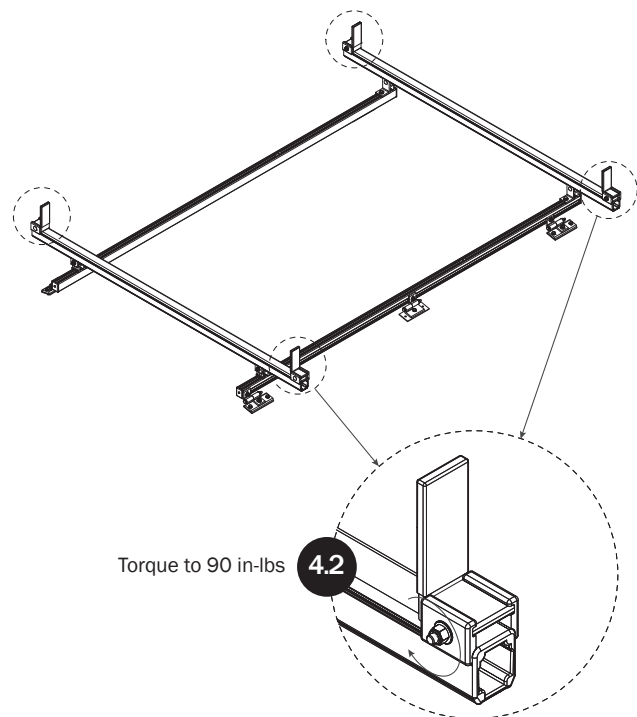
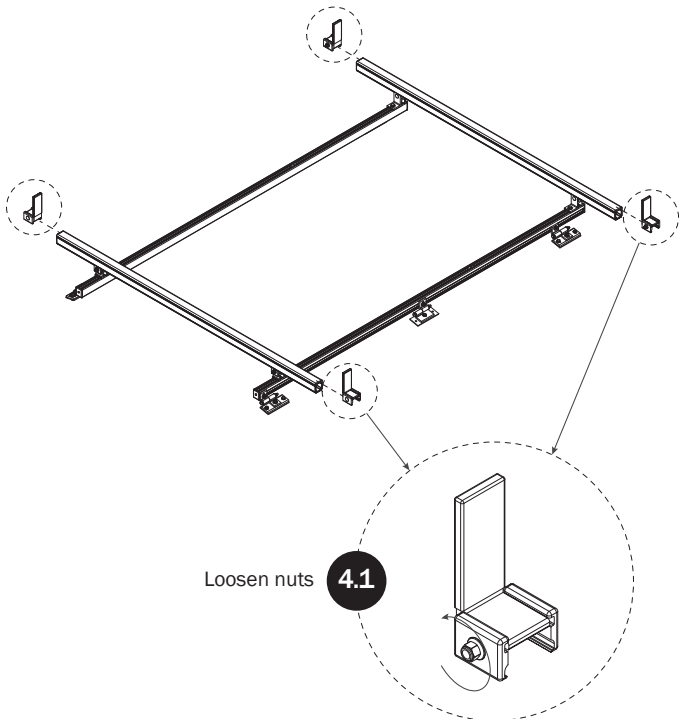
## CROSSBARS



## CROSSBAR ADJUSTMENT



## LADDER STOPS



Page Intentionally Left Blank

Page Intentionally Left Blank

