

## AR1900

### AluRack, Nissan NV H1

#### Configuration as shown:

Anodized Aluminum  
Option Rack Weight (empty): 79 lbs

\*Callouts in this Configuration Overview indicate full module assemblies only.

For details on individual parts, please refer to the linked Module Overviews below.

#### AR1900 (Clear Anodized)

- A: ..... [FBM-1010-BLK Mounting System](#)
- B: ..... [AR-2106 136" Side Rail Feature](#)
- C: ..... [AR-2001 67" Crossbar Feature](#)

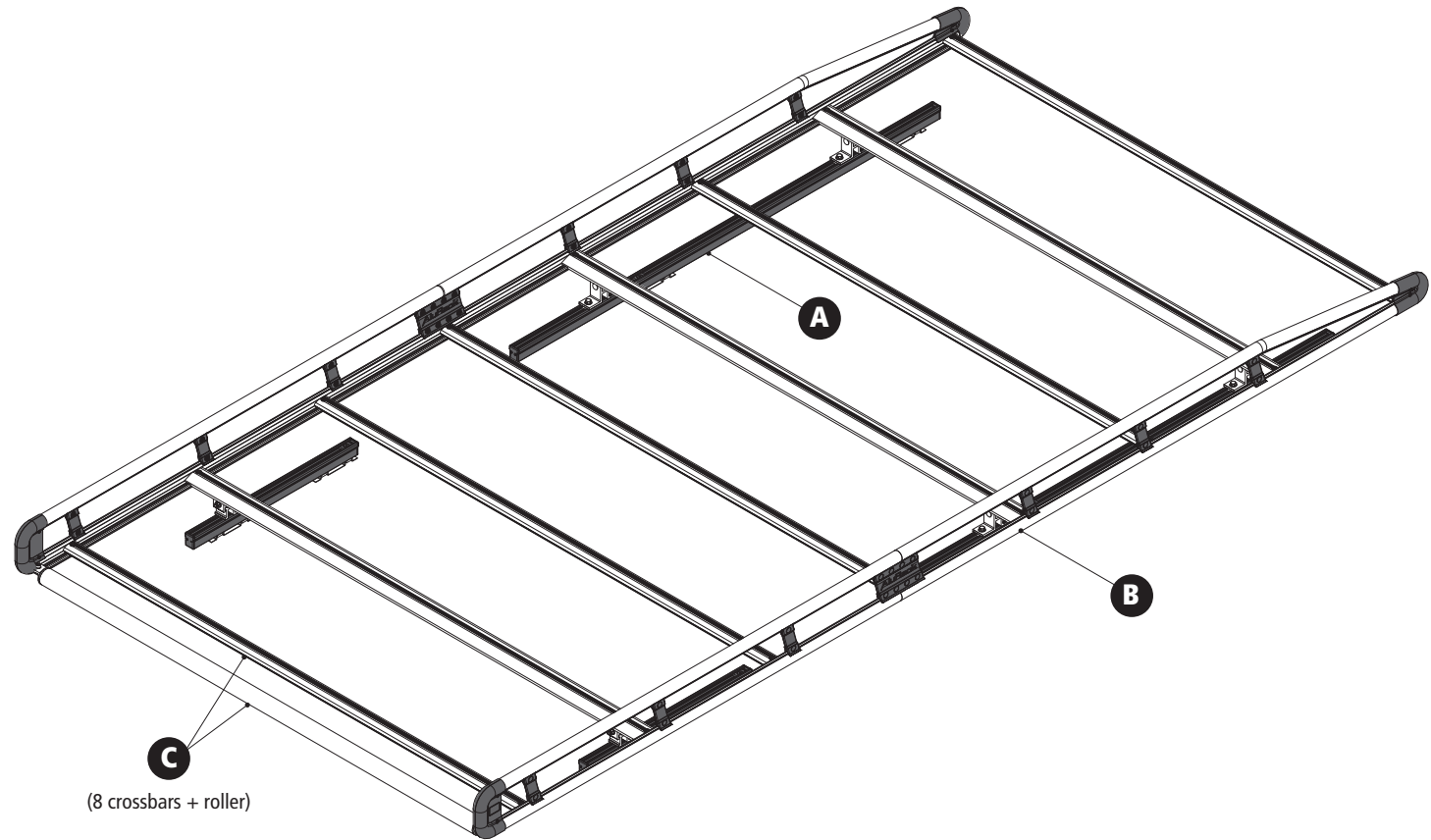
#### AR1900-BLK (Black Anodized)

- A: ..... [FBM-1010-BLK Mounting System](#)
- B: ..... [AR-2106-BLK 136" Side Rail Feature](#)
- C: ..... [AR-2001-BLK 67" Crossbar Feature](#)

[Modular Assembly Manuals](#)

#### AluRack—Load specifications:

Check vehicle manufacturer recommendations for roof capacity weight limits.



## AR1900

### Nissan NV H1

Approximate dimensions as shown:

- A: Rack Width ..... 69"
- B: Rack Length ..... 140"
- C: Rack Height ..... 11"

#### Compatible Accessories Available (Sold Separately)

- Ladder Clamp Down..... [ACX-AXC Series](#)
- Retractable Ratchet Tie-Down.....[ACC-8000](#)
- 8'–12' Conduit Tubes.....[CON Series](#)
- WorkPro LED Lighting..... [LED Series](#)
- Systems and Safety Components .....[RVS Series](#)
- Safety monitoring.....[DS2 Series](#)
- Rear Access Ladder.....[AAL Series](#)

