

PTR-S1

Pickup Rack, Mid Size

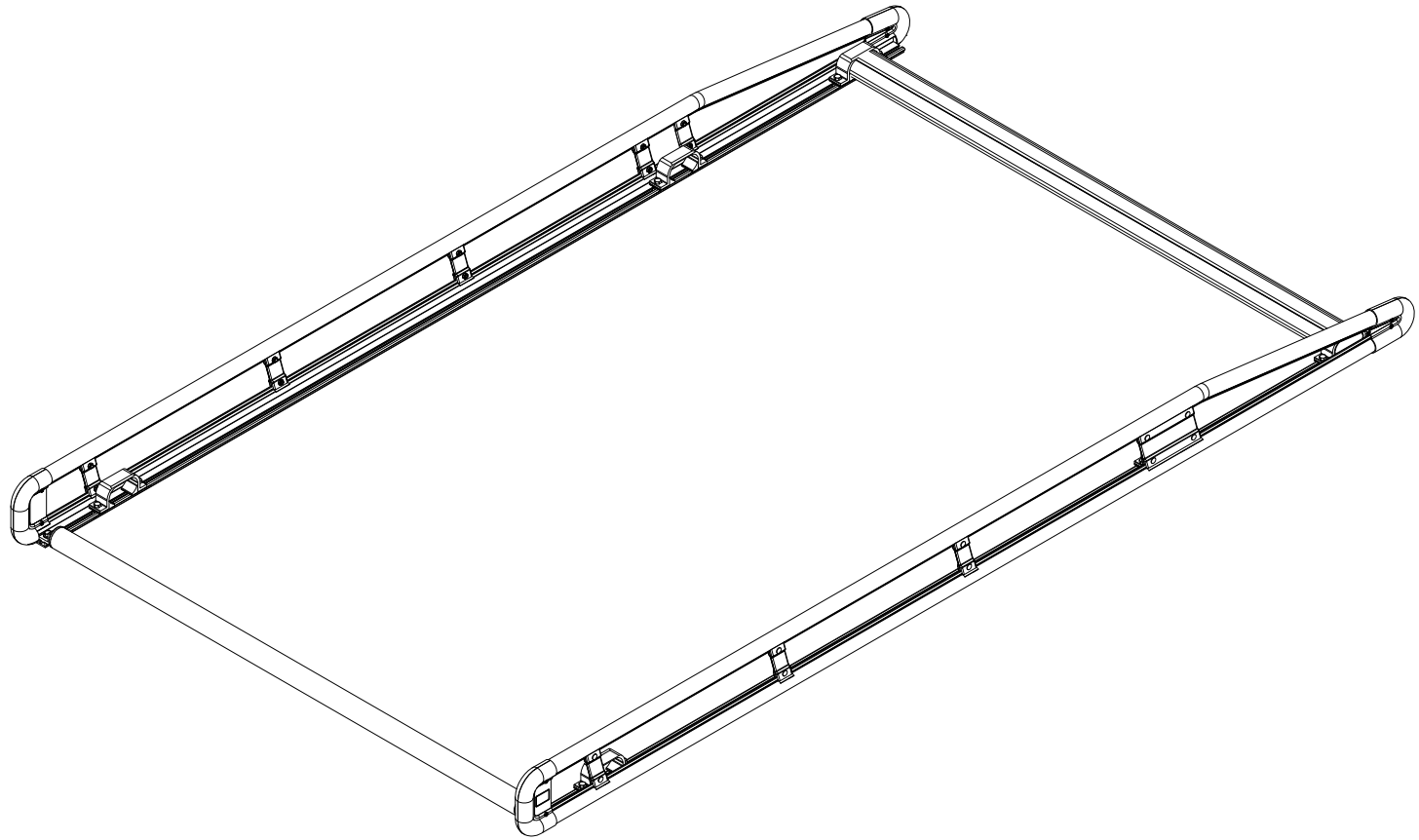
Dimensional Specifications on Page 2

Configuration as shown:

PAR-I Side Rail Assembly, 8' x1
PUR-7358 Crossbar, 57" w/ Caps x1
PAR-8461 Frame Side Rail to CBR Connector x6
PTR-R1 Roller Assembly x1
Finish: Anodized Aluminum
Rack Weight (empty): 37 lbs

Load specifications as shown:

Check the vehicle manufacturer's
recommendation for roof capacity weight limit.

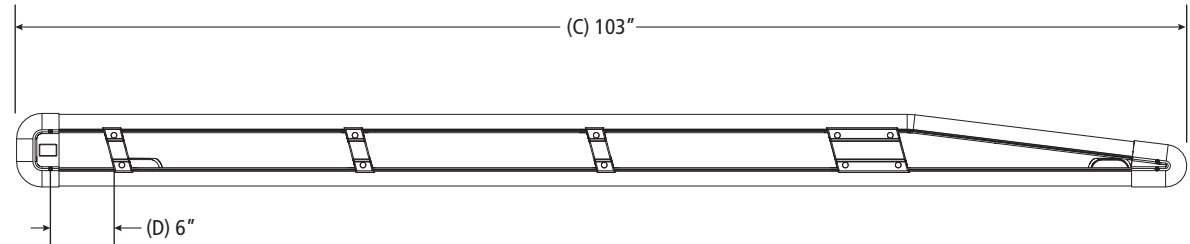
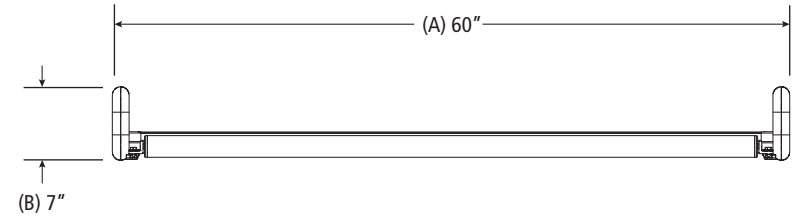
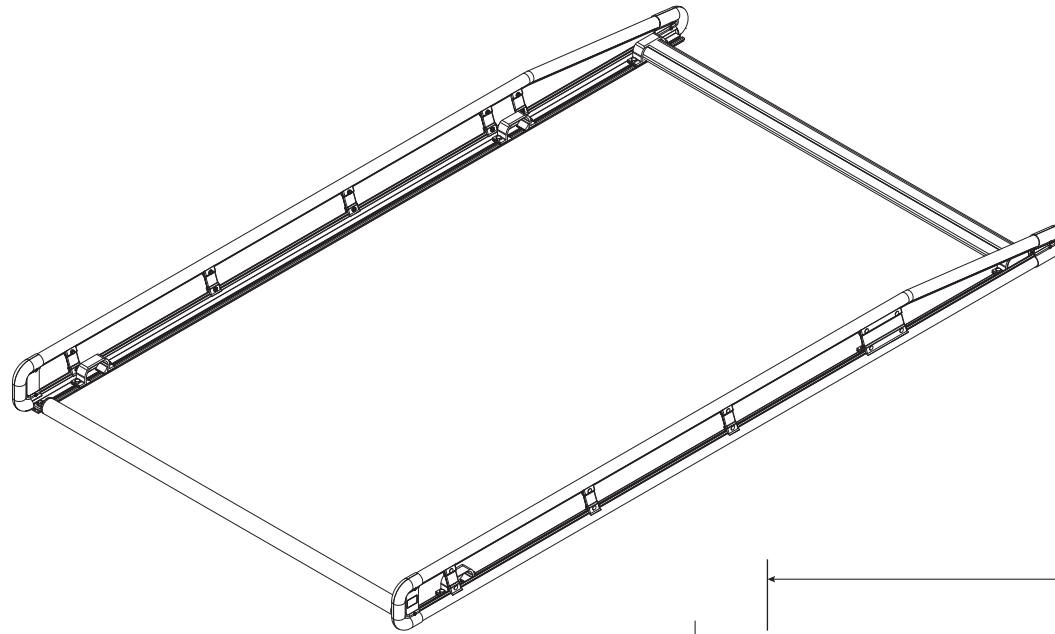


PTR-S1

Pickup Rack, Mid Size

Approximate dimensions as shown:

- A: Rack Width 60"
- B: Rack Height 7"
- C: Rack Length 103"
- D: Roller offset 6"



Assembly Manual also available:

PTR-S1

USOV-PTRS1-US01 Rev-A 0418