

PTR-S4

Pickup Rack Add-On

Dimensional Specifications on Page 2

Configuration as shown:

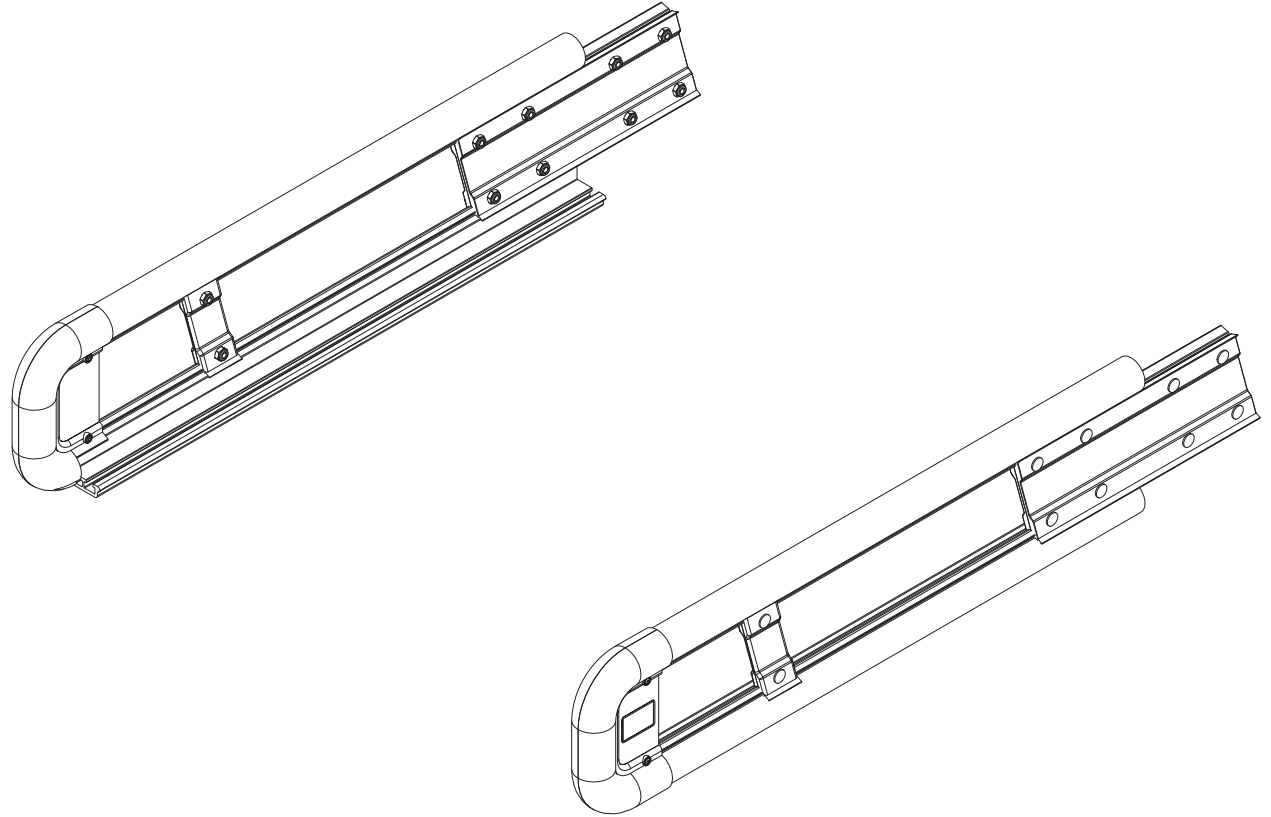
PAR-8500 & 8501 2' Add-On, LH & RH

Finish: Anodized Aluminum

Rack Weight (empty): 8 lbs

Load specifications as shown:

Check the vehicle manufacturer's recommendation for roof capacity weight limit.

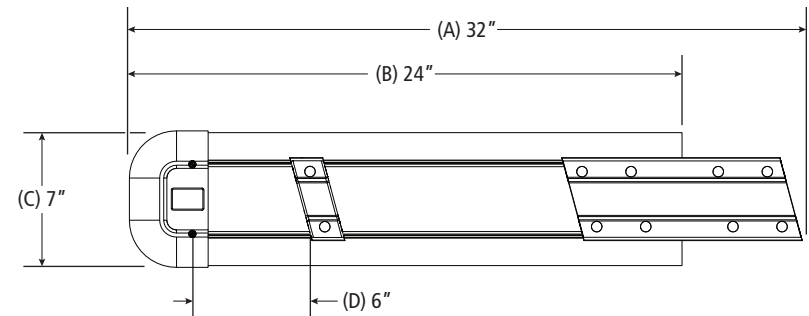
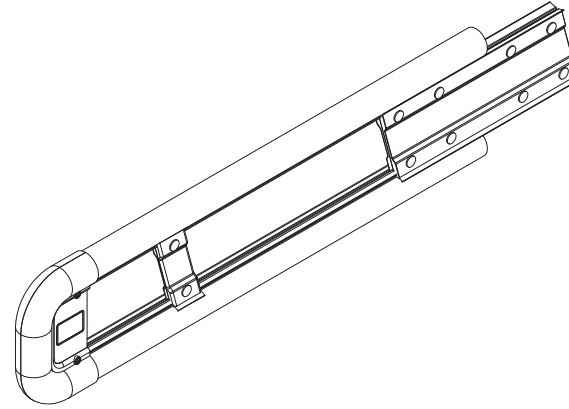
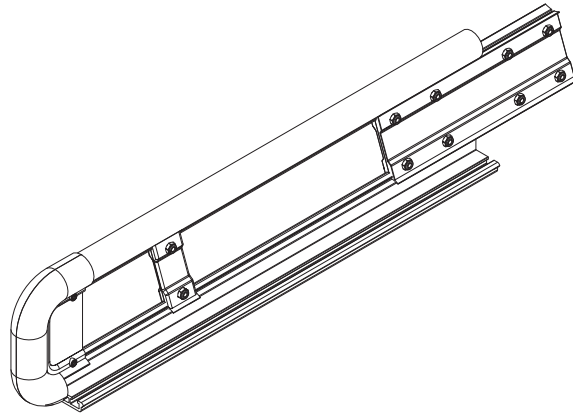


PTR-S4

Pickup Rack Add-On

Approximate dimensions as shown:

A: Overall Length.....	32"
B: Rail Length.....	24"
C: Height	7"
D: Roller Offset.....	6"



Assembly Manual also available:

PTR-S4

USOV-PTRS4-US01 Rev-A 0418