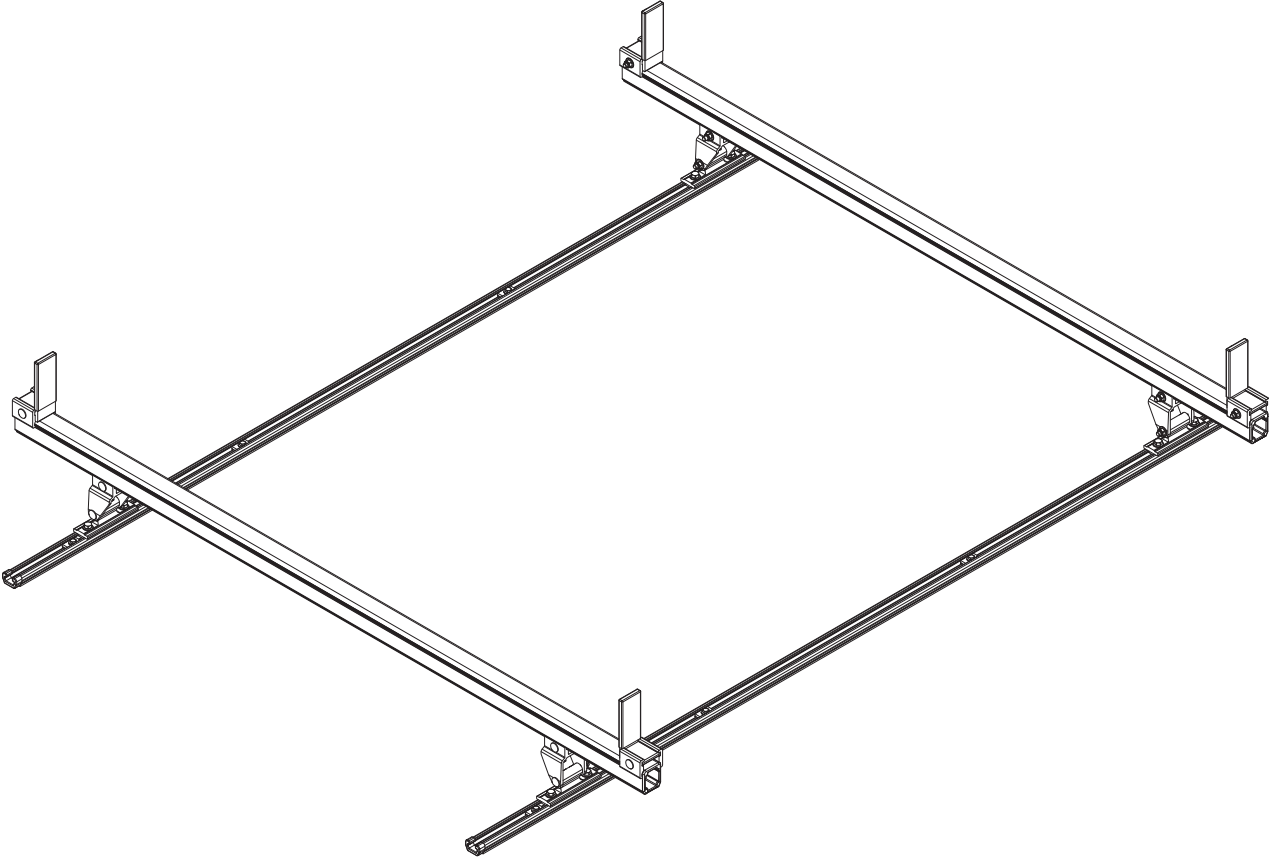


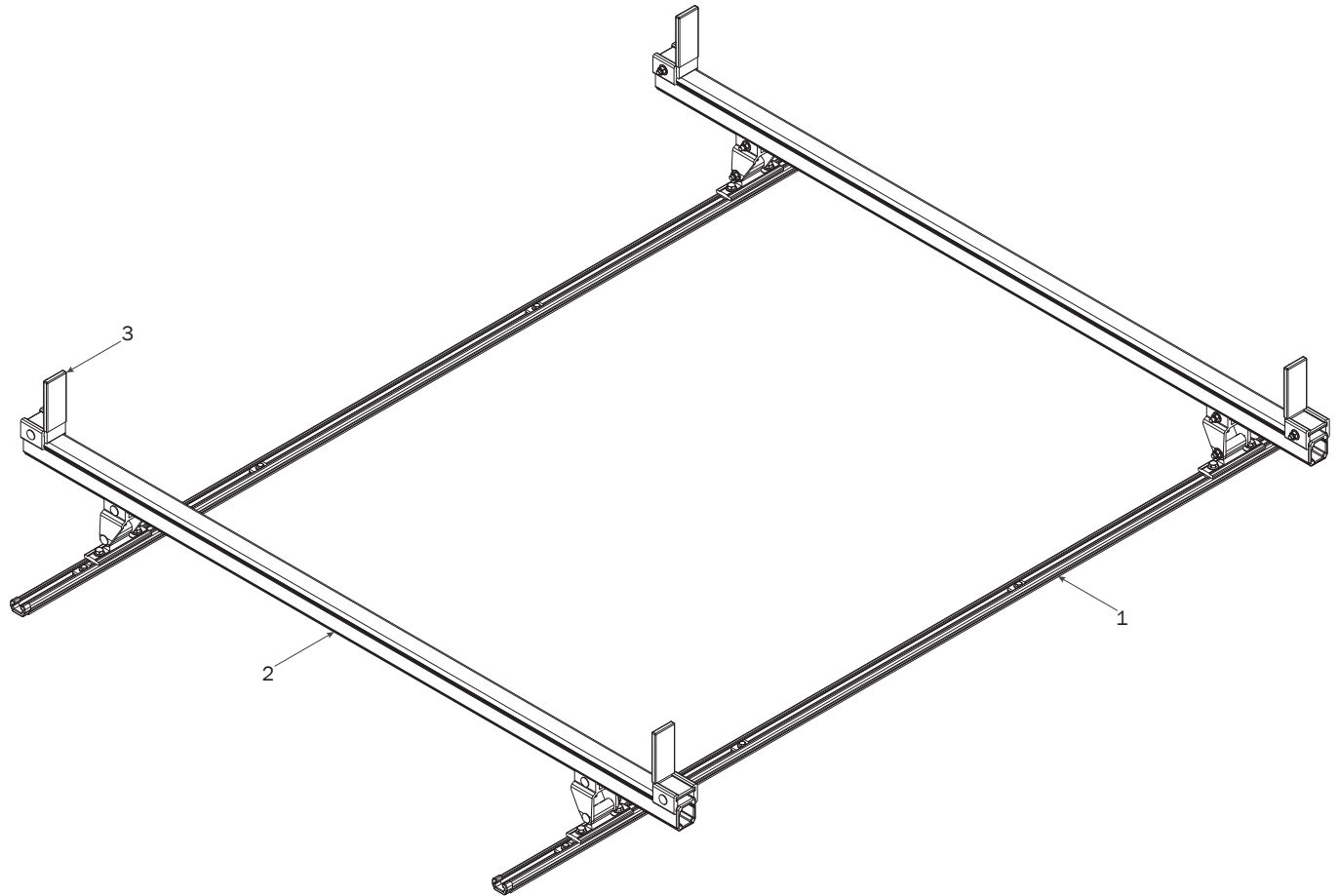
PRIME DESIGN™

A Safe Fleet Brand



VBB
CRIB

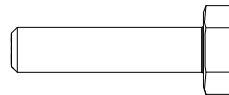
CONTENTS OVERVIEW



1—FBM-0006 (Qty 1)
Channels with hardware



M6 Locknut (8X)



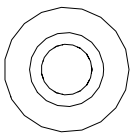
M6 x 30MM Bolt (8X)



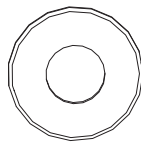
End Caps (4X)



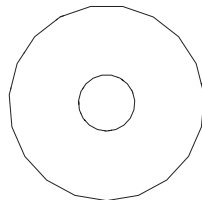
Brackets (4X)



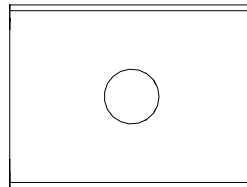
M6 Sealing Washer (8X)



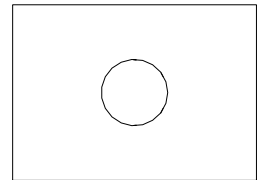
1/4" Flat Washer (8X)



1/4" Washer (8X)



Mounting Plate (8X)

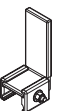


Foam Pad (8X)

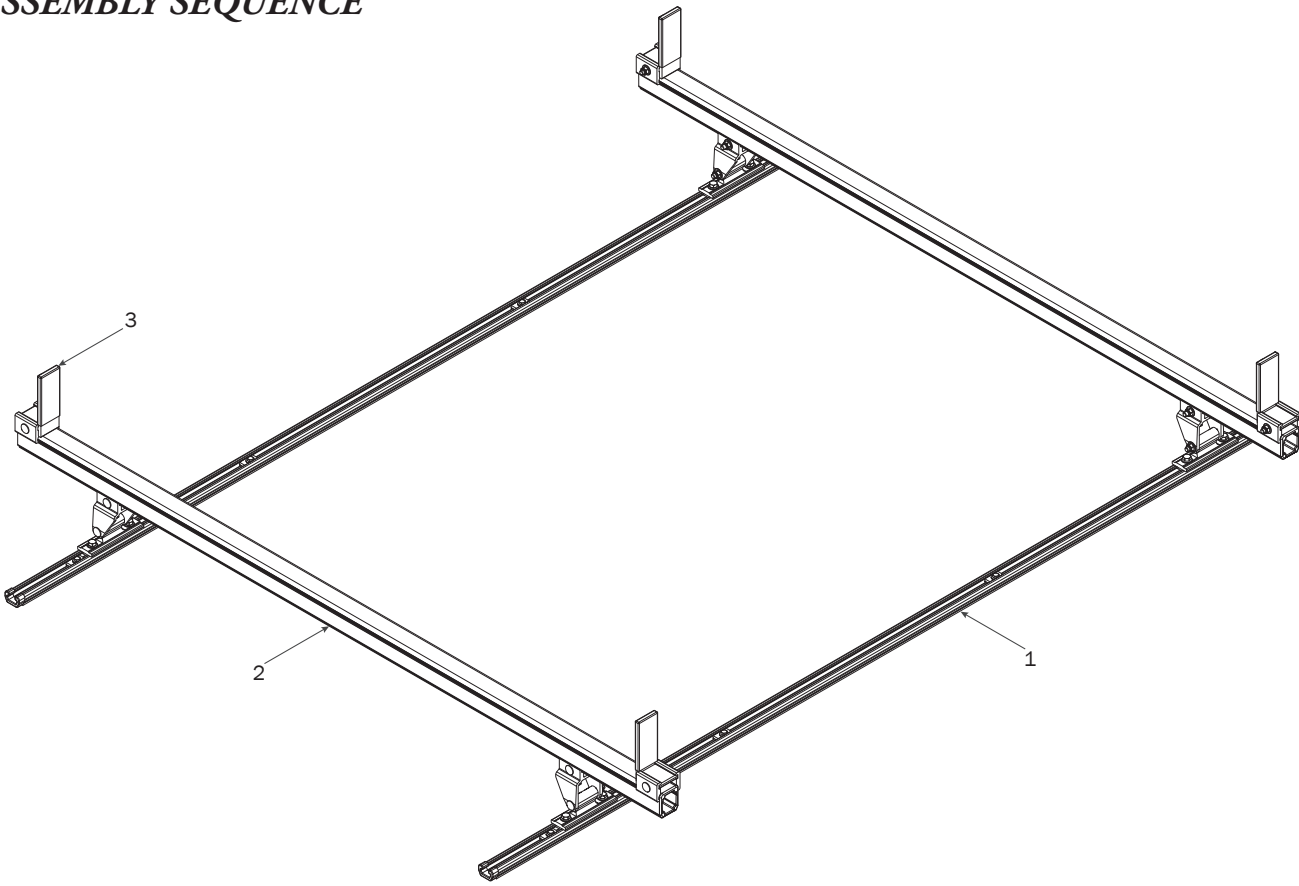
2—Crossbar Assembly..... (Qty 2)



3—Ladder Stop Assembly (Qty 4)
1.75"

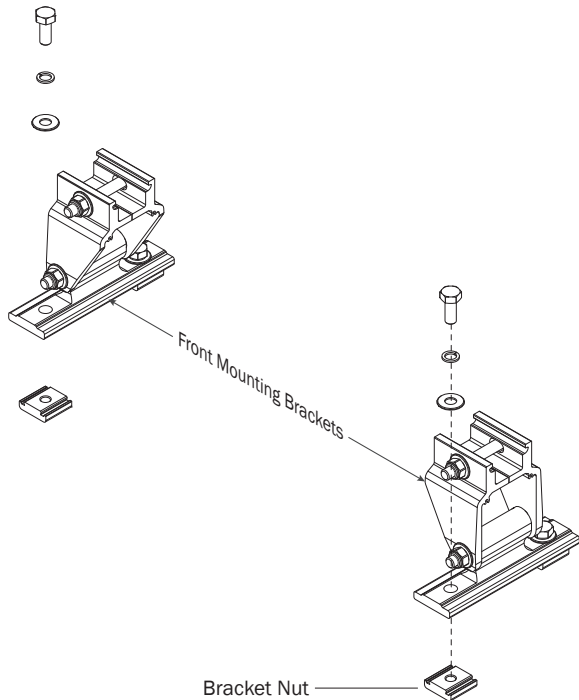


ASSEMBLY SEQUENCE

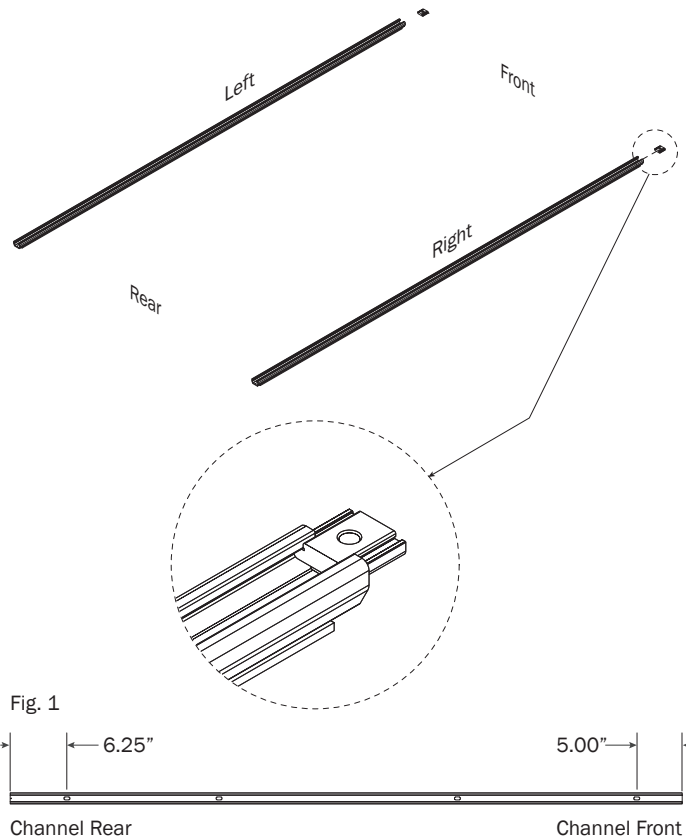


FBM-0006 CHANNELS TO ROOF

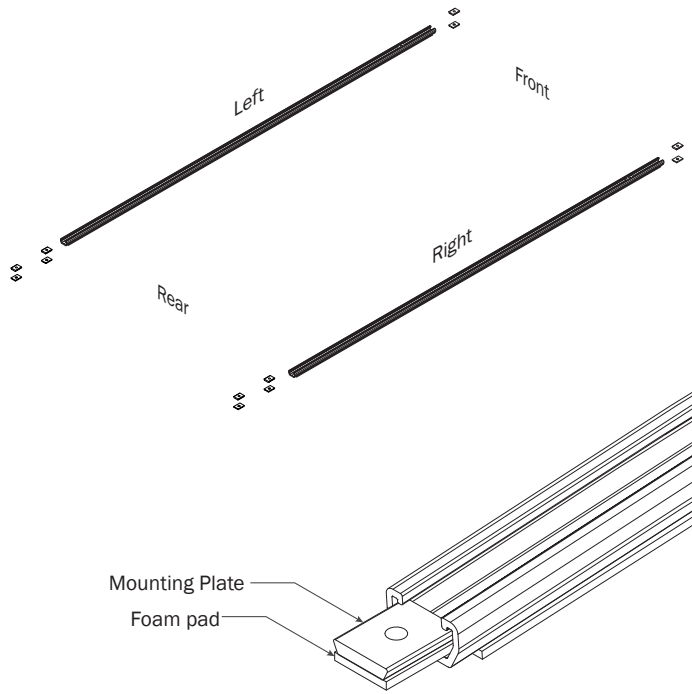
1.1 Front Mounting Brackets only: remove and save the hardware from the rear Bracket Nut as shown.



1.2 Slide the Bracket Nuts into the Channels as shown.

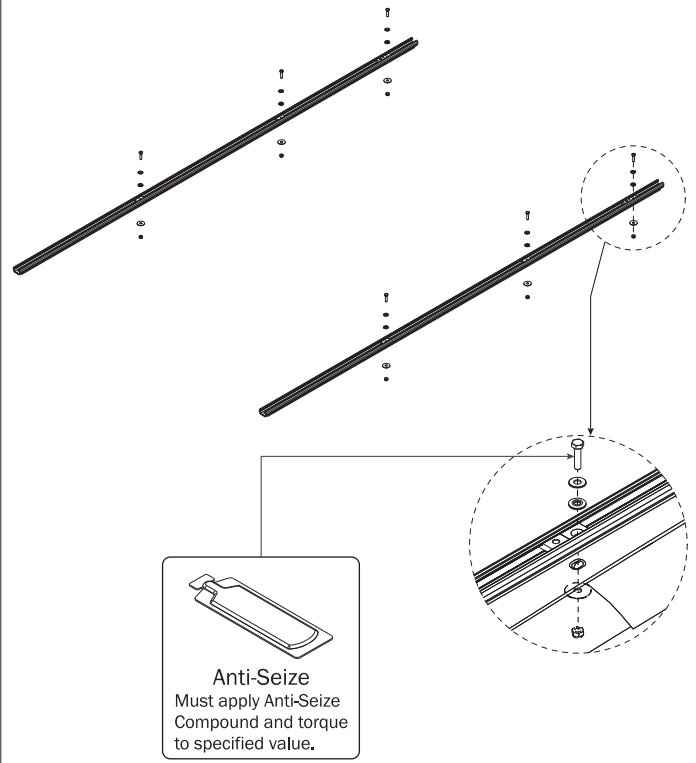


1.3 Install three sets of Channel Hardware per channel as shown below.

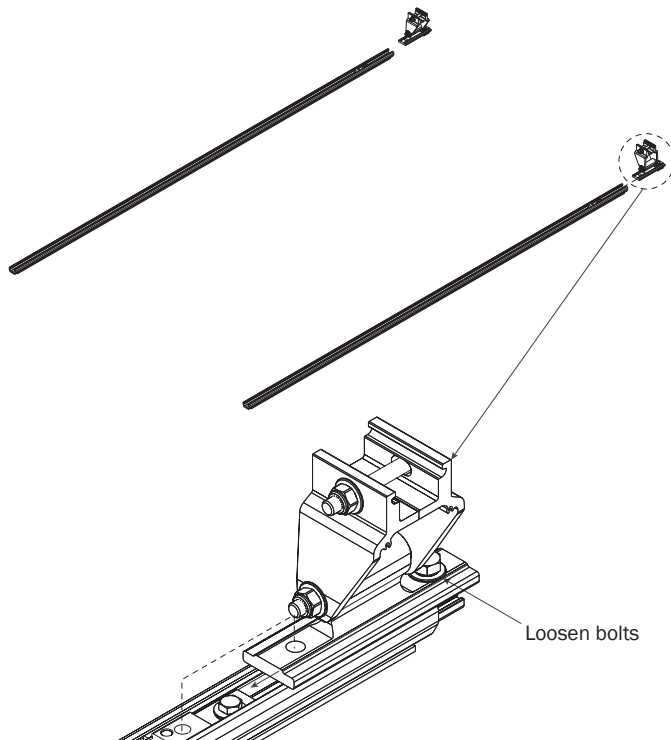


1.4 Install the fasteners through the innermost factory roof holes as shown then torque the nuts to 60 in-lbs.

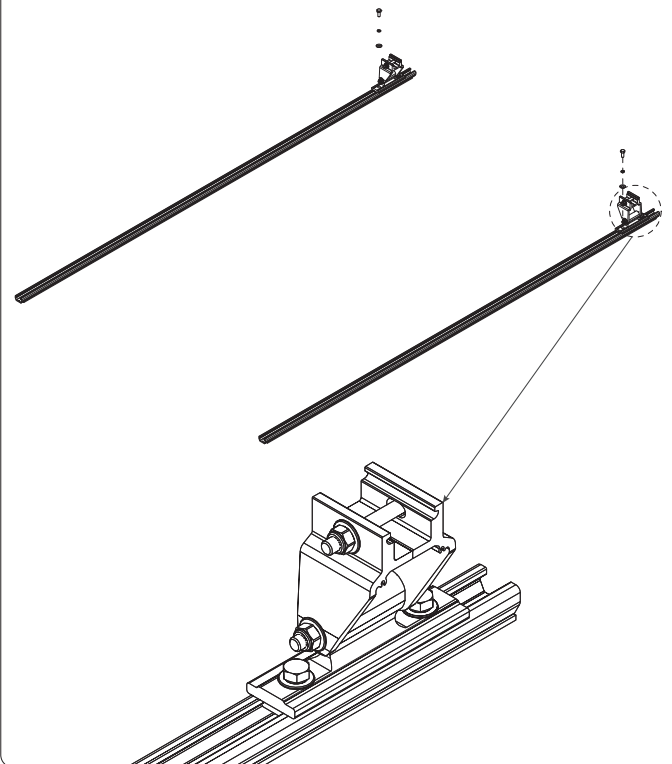
Do not install or fasten Hardware to the outer front and rear roof holes until Step 1.9.



1.5 Install the front Mounting Brackets as shown and slide into position over the Bracket Nut.



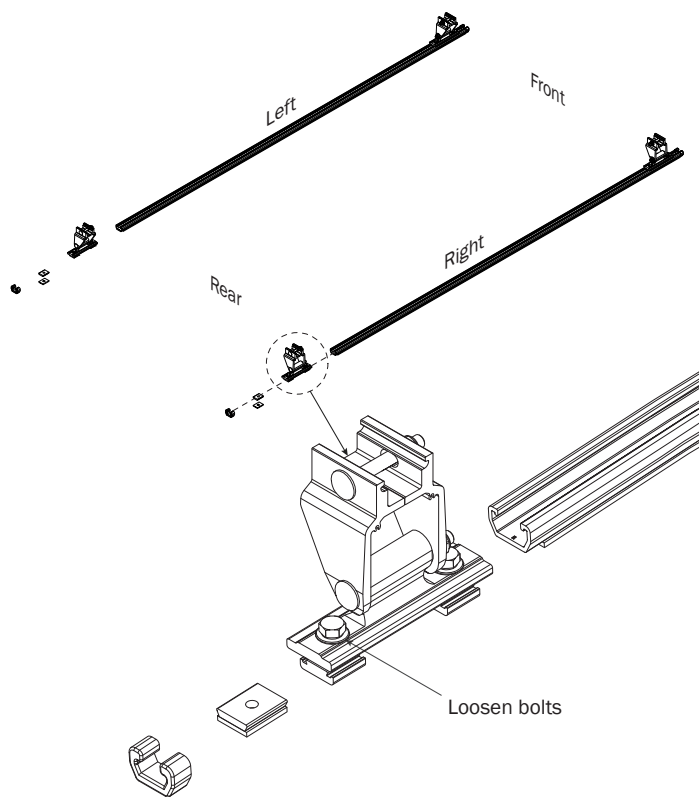
1.6 Reinstall the Mounting Bracket Nut hardware as shown, but do not tighten.



1.7

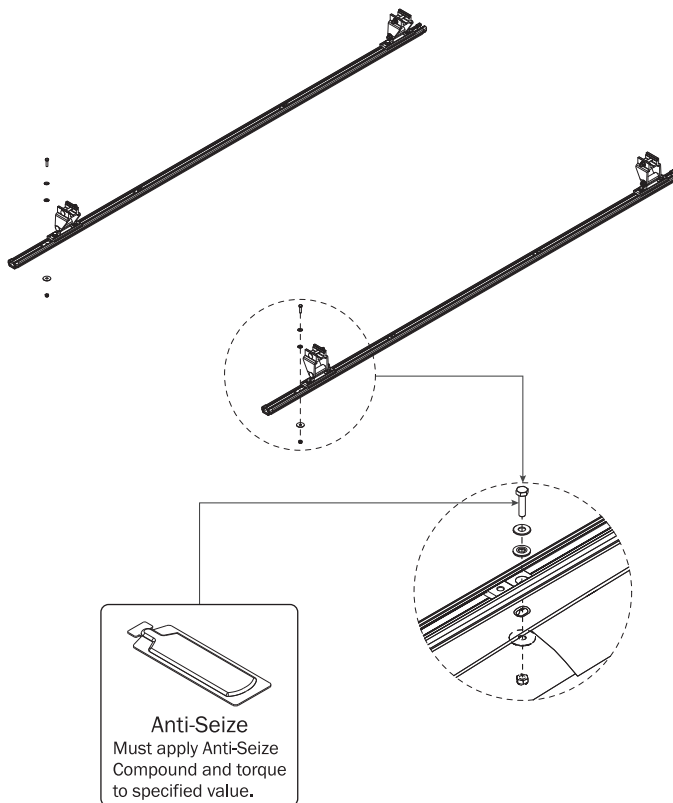
Install the rear Mounting Brackets along with the remaining Channel Hardware as shown below.

Do not tighten the Mounting Brackets until Step 1.9.



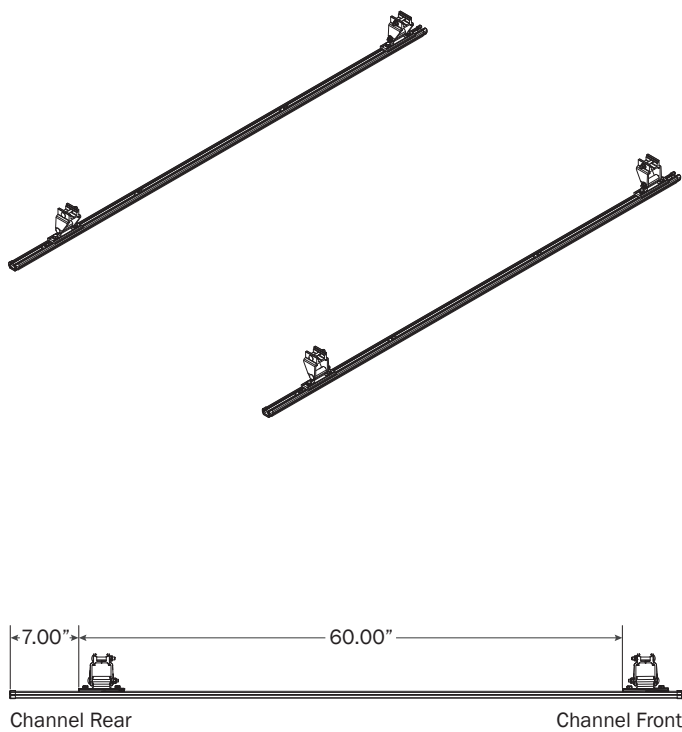
1.8

Install the remaining rear fasteners through the factory roof holes then torque the nuts to 60 in-lbs.

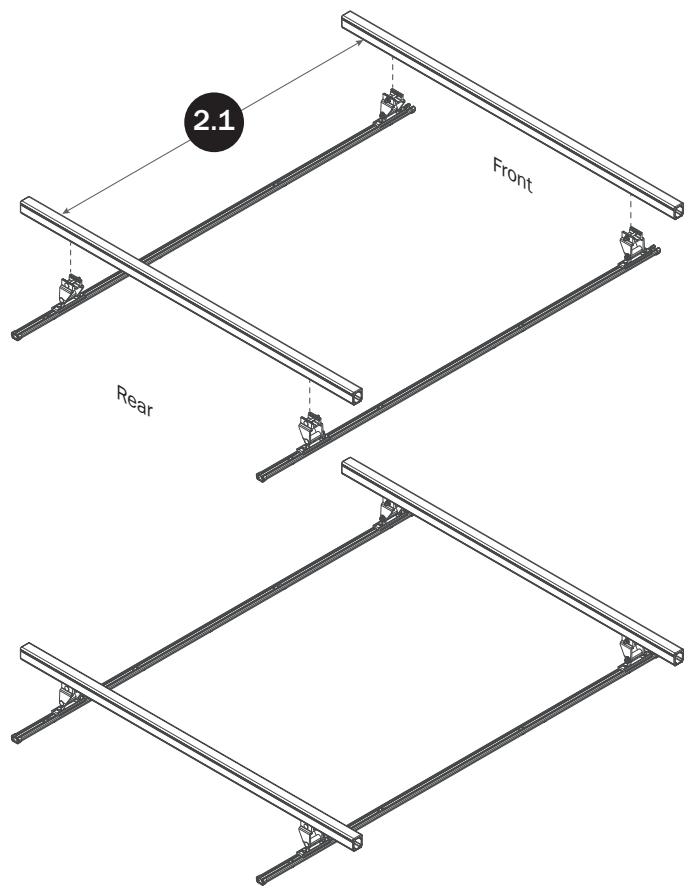


1.9

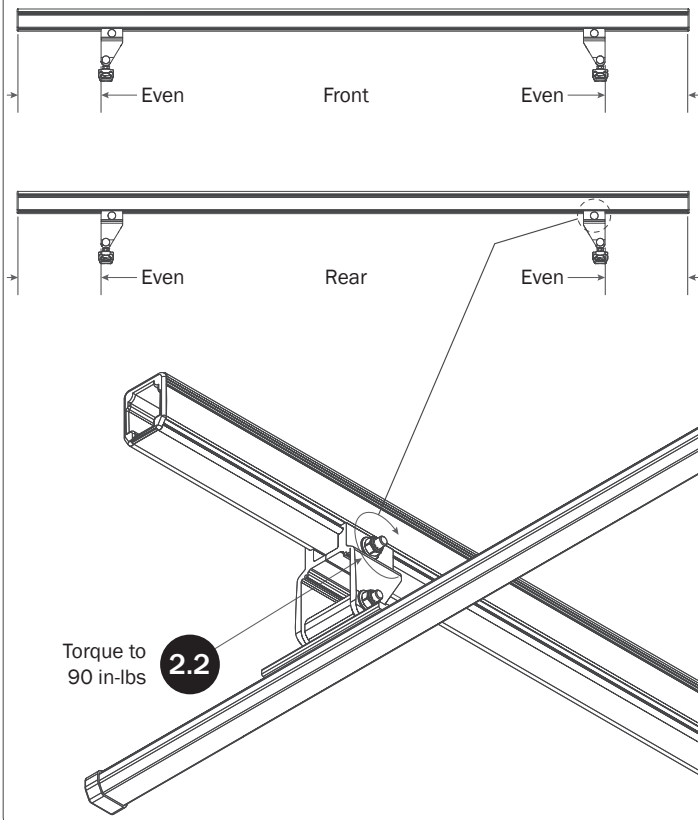
Set to distances then torque all the Mounting Brackets to 90 in-lbs.



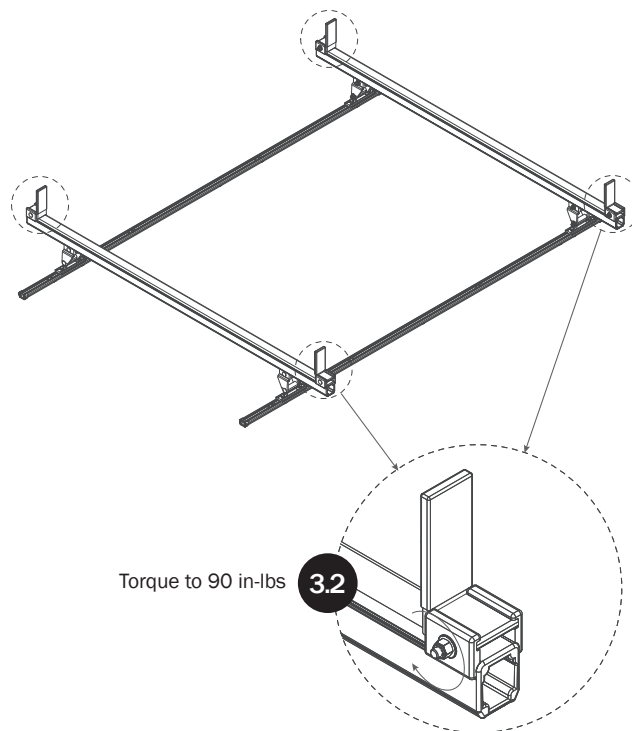
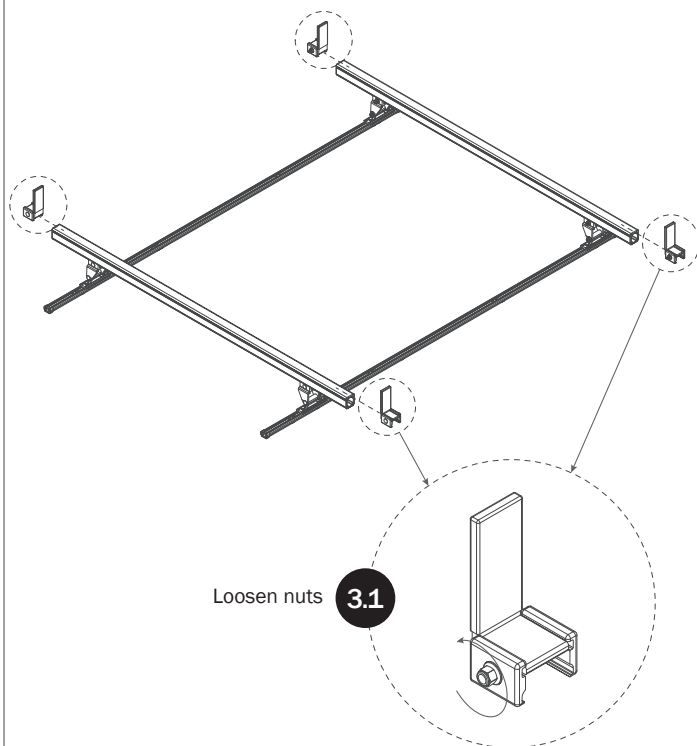
CROSSBARS



CROSSBAR ADJUSTMENT



LADDER STOPS



Page Intentionally Left Blank

