

VBB-TC11B

Transit Connect L1H1

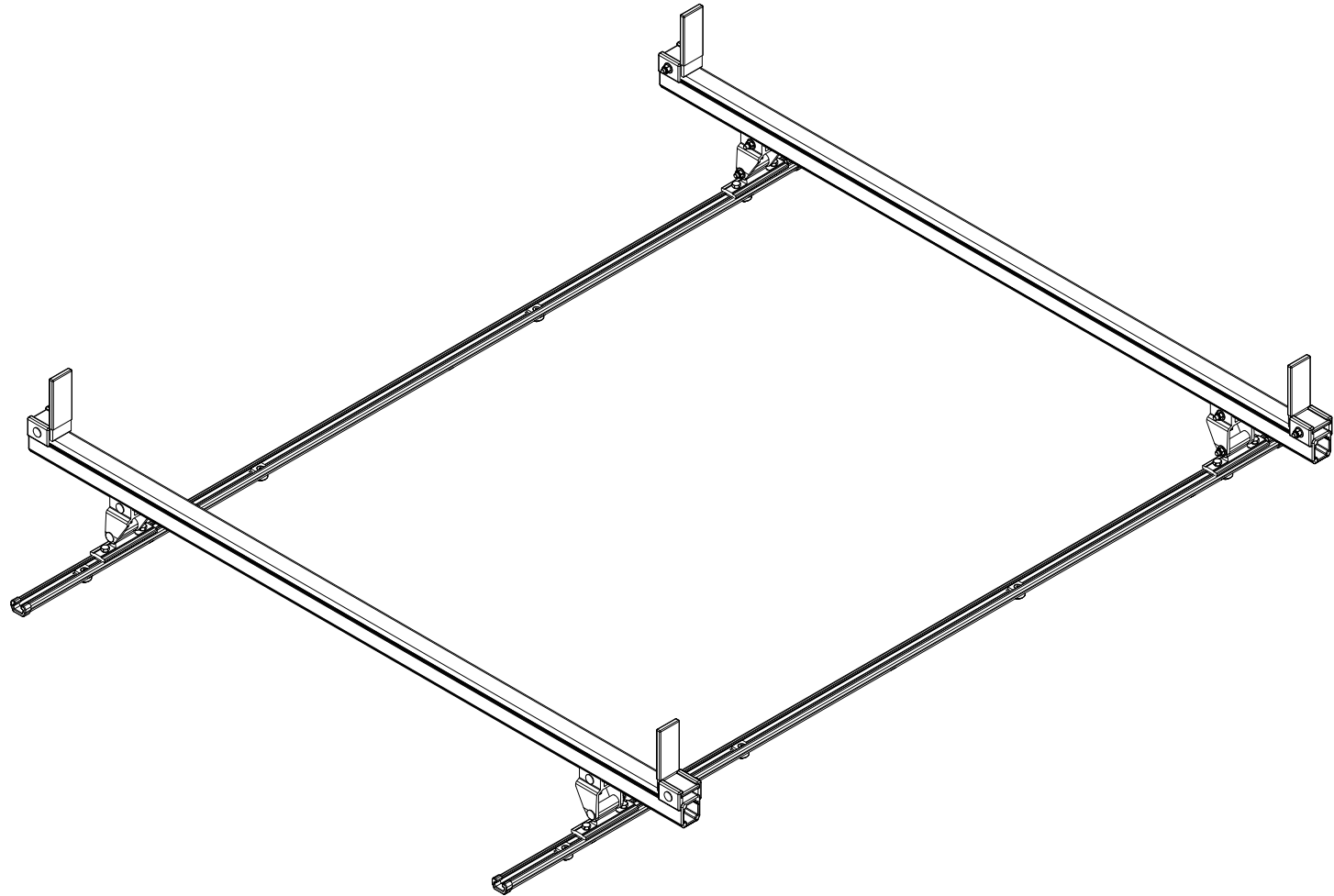
Dimensional Specifications on Page 2

Configuration as shown:

Base Left/Base Right
62" Crossbar Family
Two Crossbars, US Gen4
Finish: White Powder Coat
CHL-7000 Transit Connect Channel Set
HKT-8010 Transit Connect Mounting Hardware
Rack Weight (empty): 23 lbs

Load specifications as shown:

Maximum Ladder Weight LH..... 100 lbs
Maximum Ladder Length LH..... 20 ft
Maximum Ladder Section LH 10 ft
Maximum Ladder Weight RH 100 lbs
Maximum Ladder Length RH 20 ft
Maximum Ladder Section RH..... 10 ft

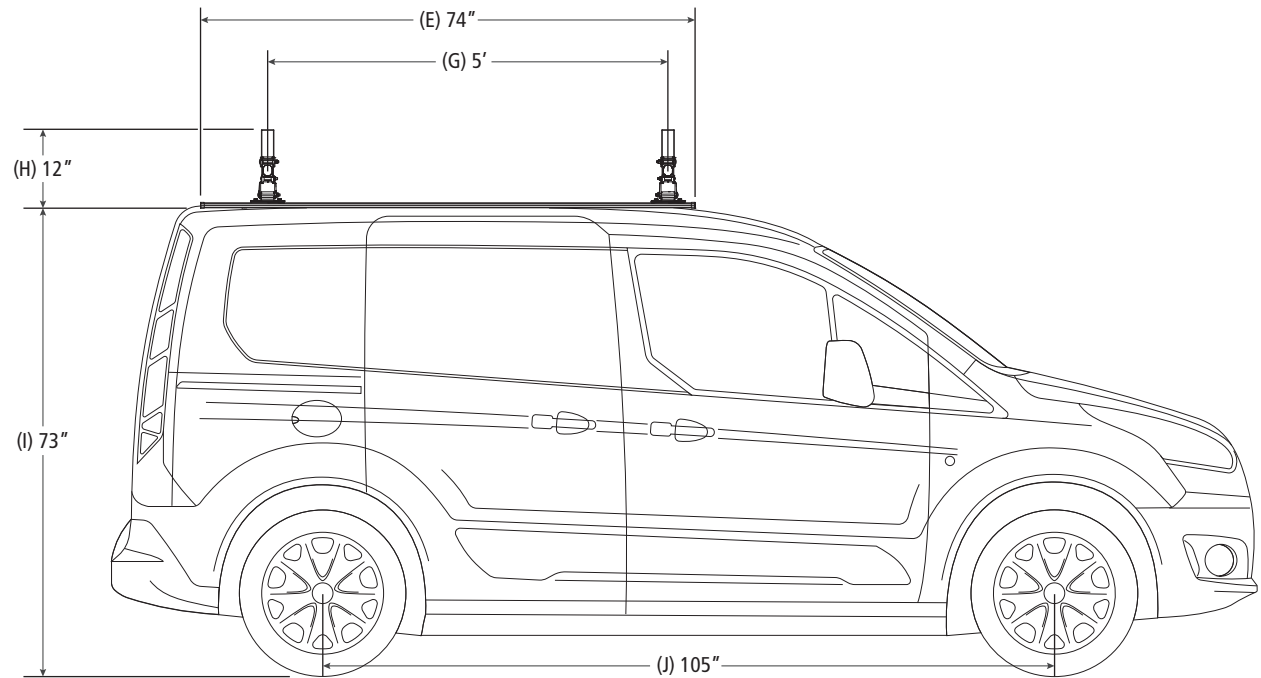
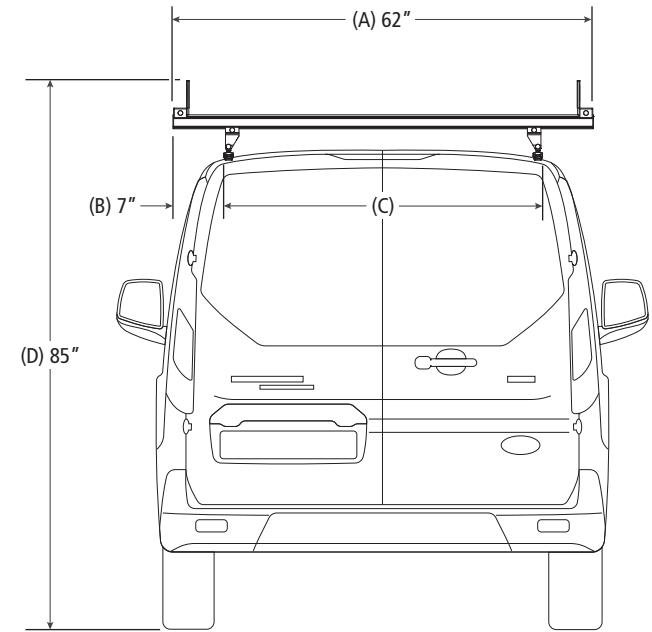
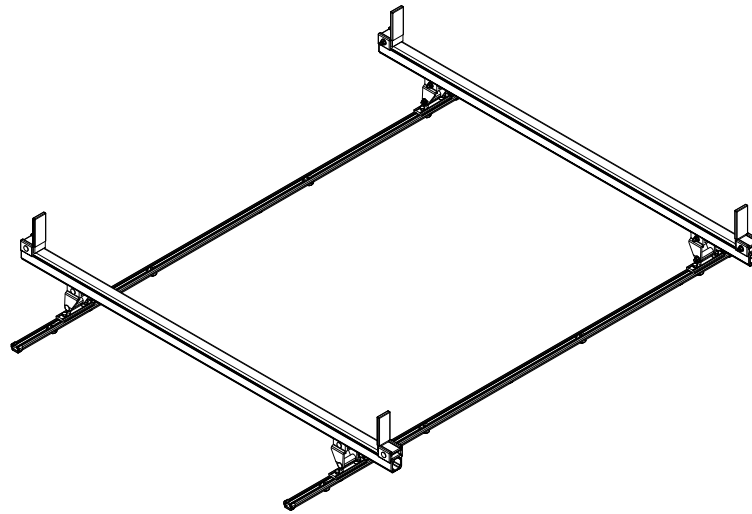


VBB-TC11B

Transit Connect L1H1

Approximate dimensions as shown:

A: Rack Width	62"
B: Rear Crossbar Offset.....	7"
C: Mount Spacing L/R.....	Set at install"
D: Overall Height.....	85"
E: Rack Length	74"
F: Crossbar Spacing.....	5'
G: Rack Height.....	12"
H: Roof Height	73"
I: Wheel Base	105"



Assembly Manual also available:

VBB-TC11B

USOV-VBBTC11B-US01 Rev-C 0418