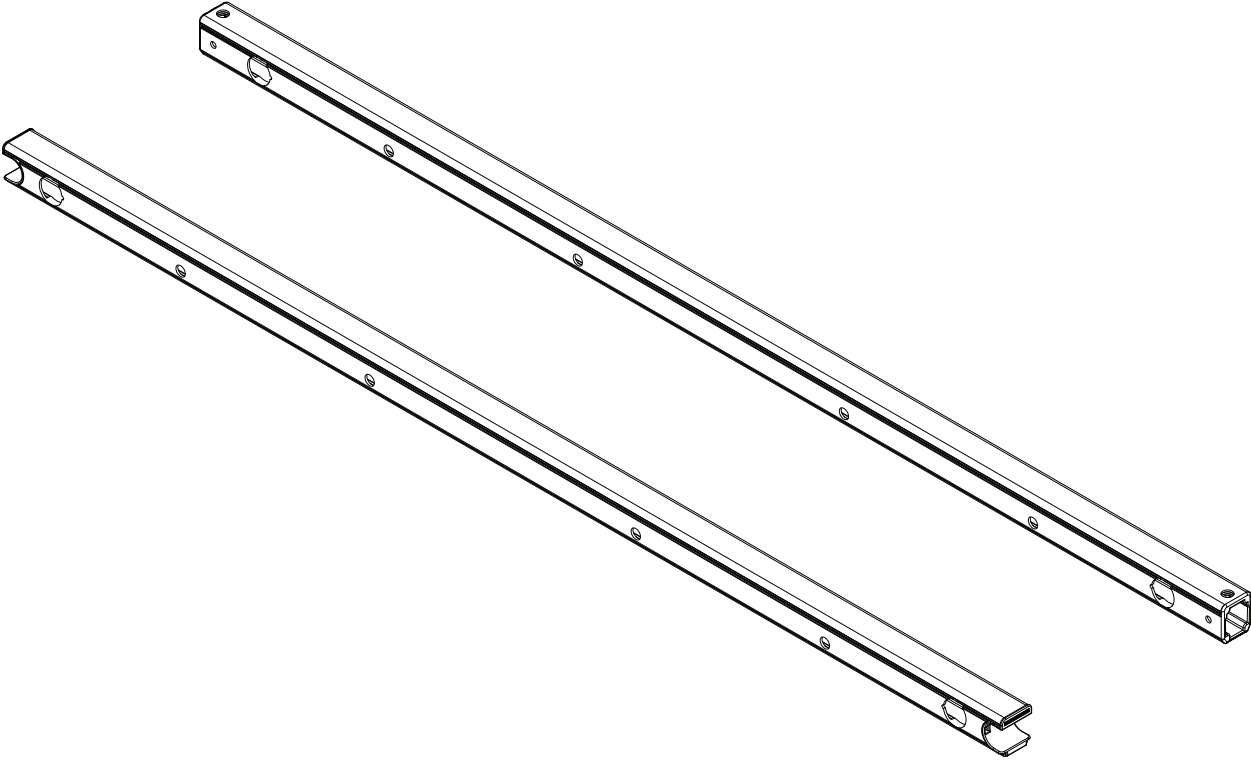


# PRIME DESIGN™

A Safe Fleet Brand



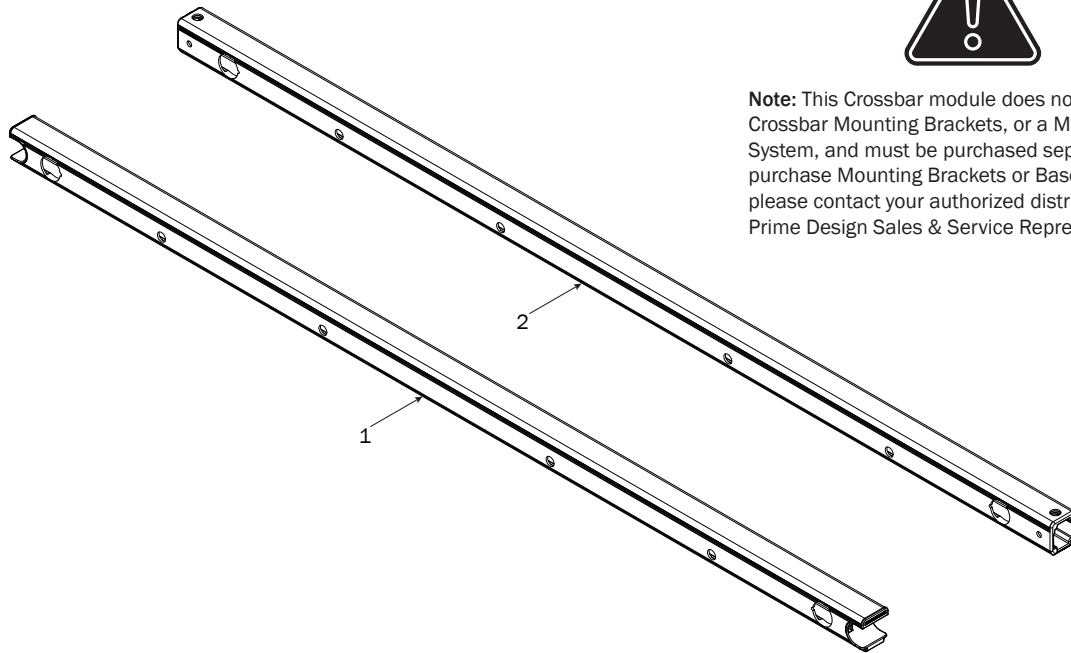
*INTERLOCKING CROSSBARS, 62"*



**CONTENTS OVERVIEW**



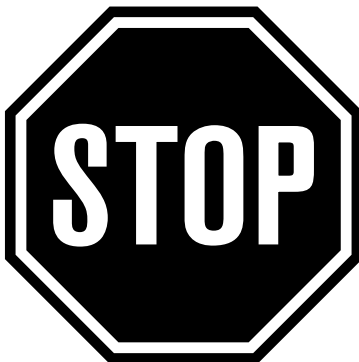
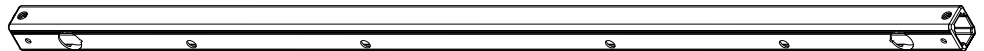
**Note:** This Crossbar module does not come with Crossbar Mounting Brackets, or a Mounting Base System, and must be purchased separately. To purchase Mounting Brackets or Base System, please contact your authorized distributor, or a Prime Design Sales & Service Representative.



1—Crossbar..... (Qty 1)  
 Gen 4, Interlocking, 61.00”  
 Low Roof Rear/High Roof Front



2—Crossbar..... (Qty 1)  
 Gen 4, Locking, 62.00”  
 High Roof Rear/Low Roof Front



**READ FIRST!**

**Do not mount the Crossbars to an FBM system at this time.**

Refer to the respective FEA Assembly Manual(s) included with your chosen rack configuration features. Depending upon the features chosen, you may need to perform a complete feature assembly onto the Crossbars prior to mounting as noted in that feature’s Assembly Manual.

*WARNING: Failure to position the Crossbars as shown in your FBM Assembly Manual may result in damage to the sliding and/or swinging doors, and/or ladder rack.*

**INSTALLER NOTE:** Base, Clamp Down, or Rotation features are not included in this CBR kit, and must be purchased separately. To purchase applicable features and accessories, please contact your authorized distributor, or a Prime Design Sales & Service Representative.

USAM-CBR0001-US01 Rev-D 0618