

VRR3-ME21

2015 Mercedes Metris L2H1 Medium Wheel Base, Low Roof

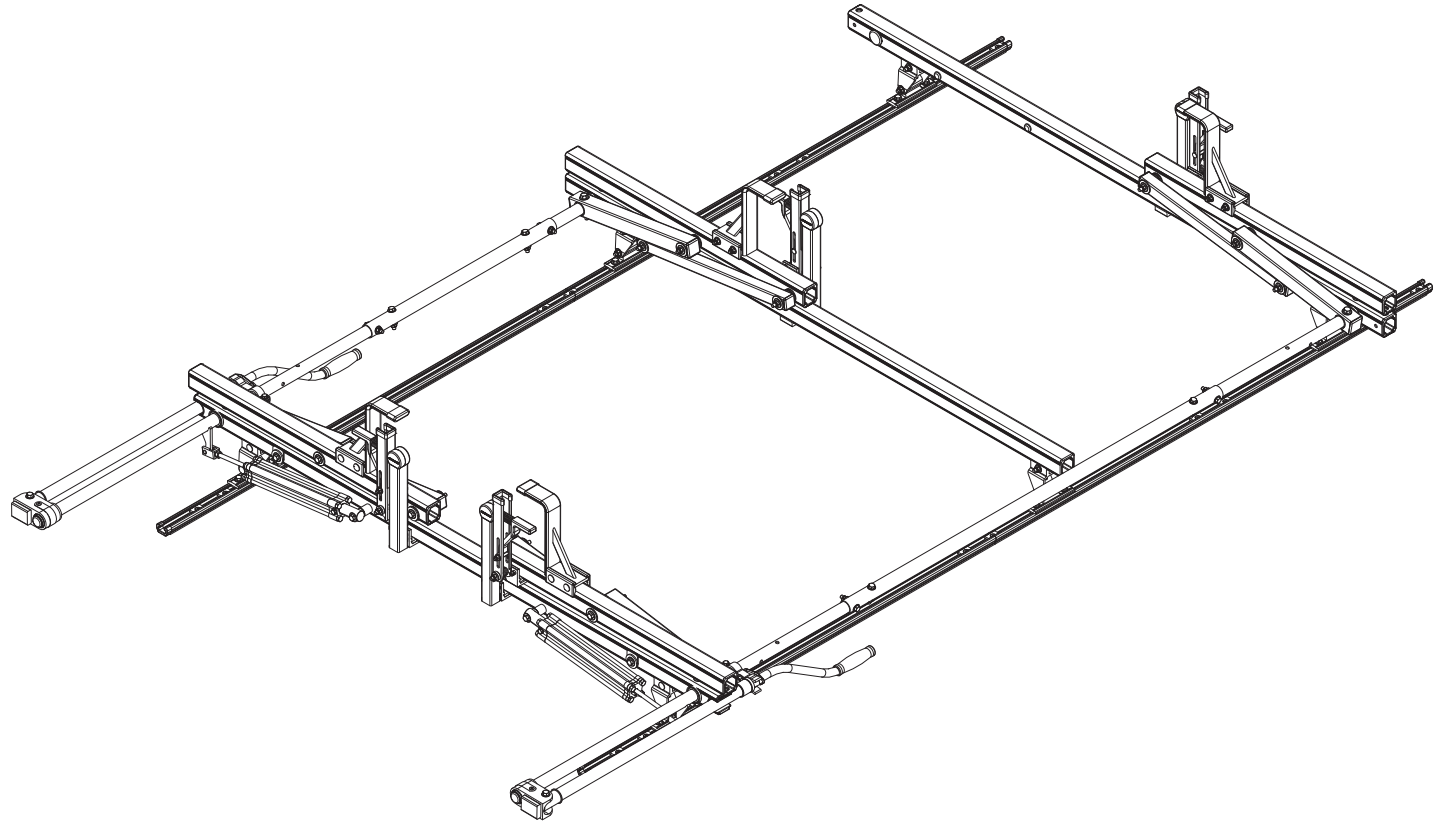
Dimensional Specifications on Page 2

Configuration as shown:

Rotation Left/Rotation Right
Three Crossbars, US Gen4
Finish: White Powder Coat
Vehicle-Specific Mounting Bracket System
Rack Weight (empty): 102 lbs

Load specifications as shown:

Maximum Ladder Weight LH.....	75 lbs
Maximum Ladder Length LH.....	16 ft
Maximum Ladder Section LH.....	8 ft
Maximum Ladder Weight RH.....	75 lbs
Maximum Ladder Length RH.....	24 ft
Maximum Ladder Section RH.....	12 ft

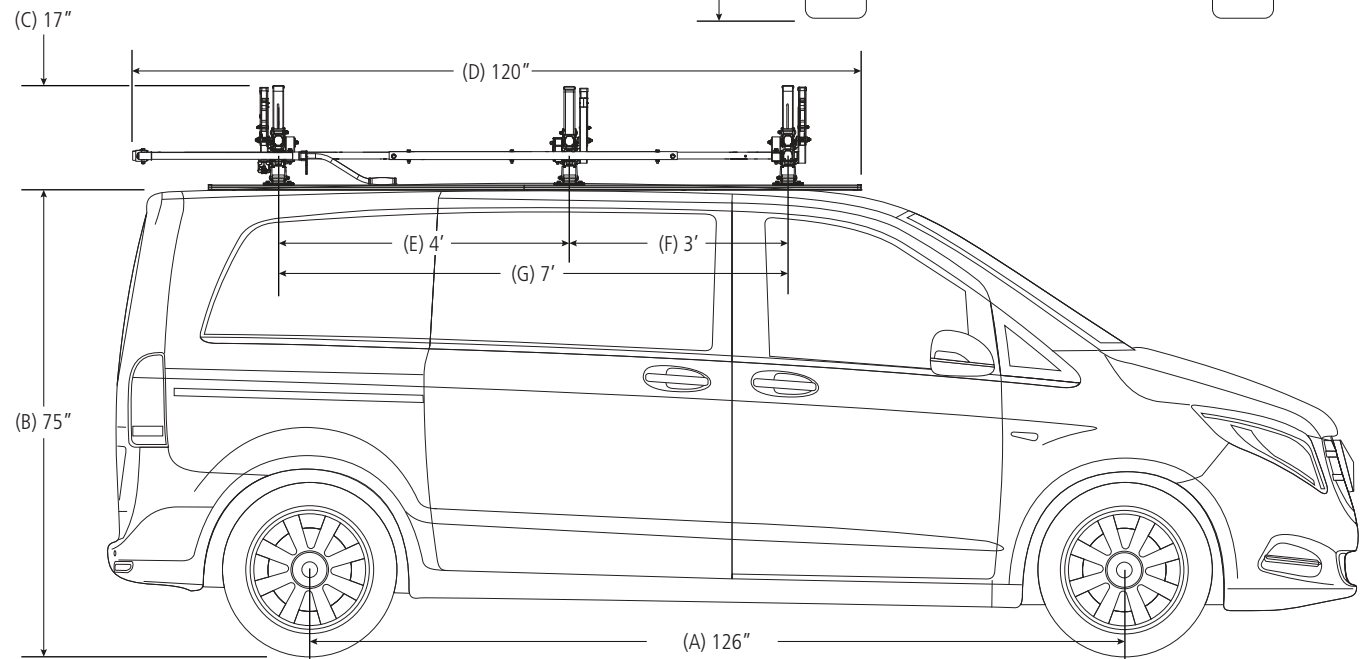
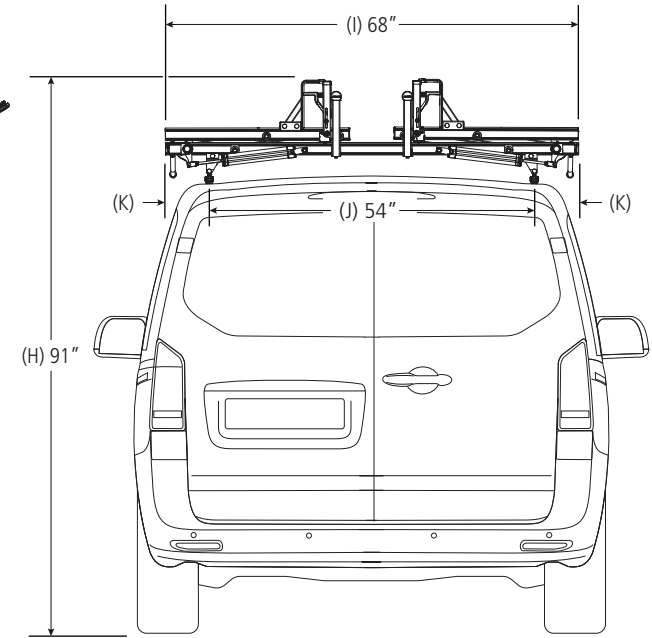
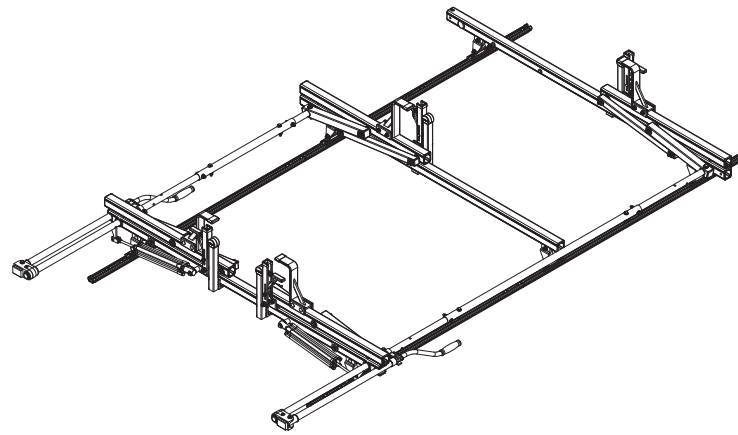


VRR3-ME21

2015 Mercedes Metris L2H1
Medium Wheel Base, Low Roof

Approximate dimensions as shown:

A: Wheel Base	126"
B: Roof Height	75"
C: Rack Height	17"
D: Rack Length	120"
E: Crossbar Spacing (rear to center)	4'
F: Crossbar Spacing (center to front)	3'
G: Total Crossbar Spacing	7'
H: Overall Height	91"
I: Rack Width	68"
J: Mount Spacing L/R	54"
K: Crossbar Offset-Right	Even



Assembly Manual also available:

VRR3-ME21

USOV-VRR3ME21-US01 Rev-A 0118