

PRR-0005

Utility Rack, Elevated

Dimensional Specifications on Page 2

Configuration as shown:

Rotation Left/Rotation Right

w/Bent Handles

Two Crossbars, US Gen4

RAC-1175 & RAC-1176 Auto Clamps

FBM-0031 Elevated Utility Mounting System

Finish: White Powder Coat

Rack Weight (empty): 105.50 lbs

Load specifications as shown:

Maximum Ladder Weight LH..... 75 lbs

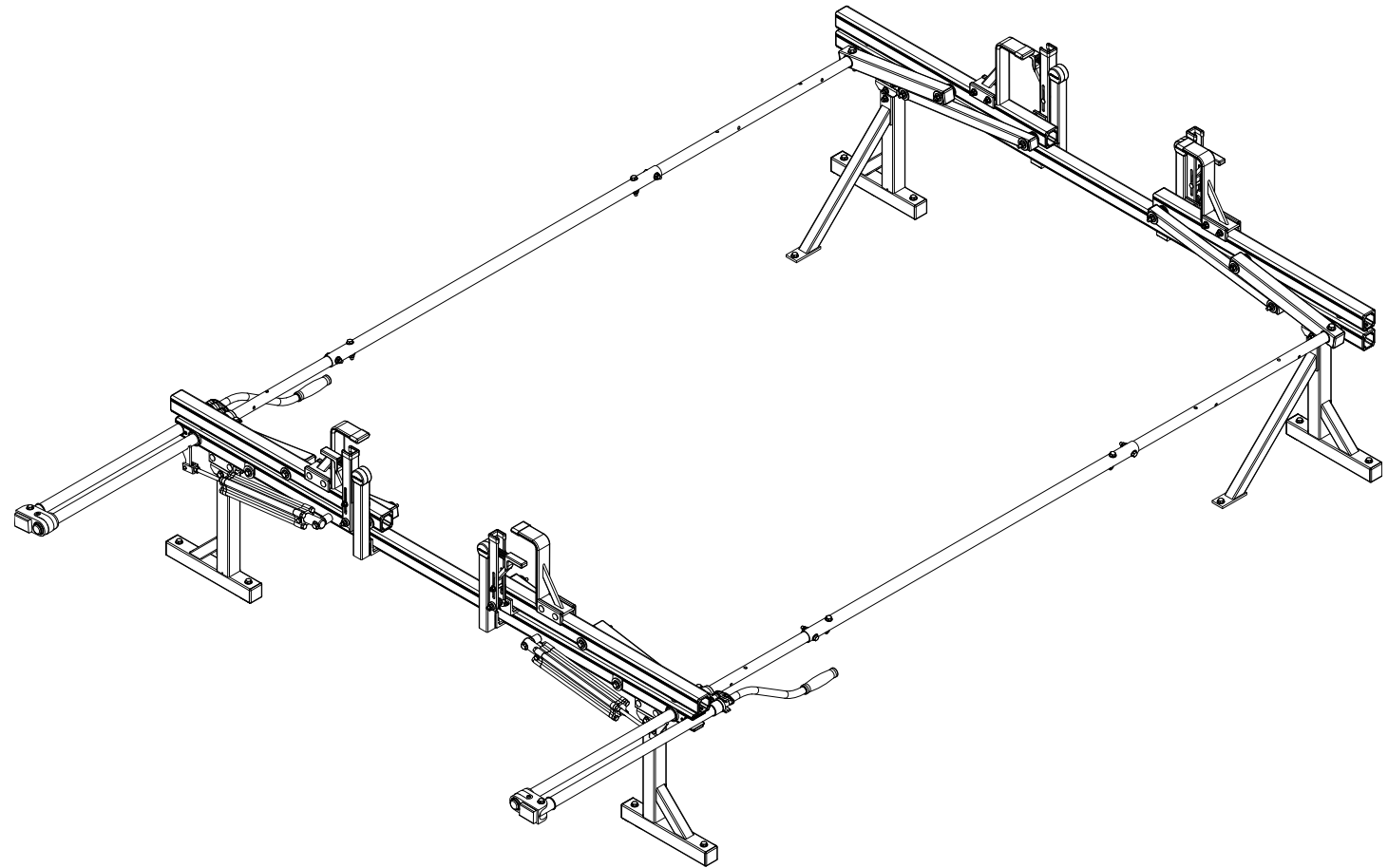
Maximum Ladder Length LH..... 32 ft

Maximum Ladder Section LH..... 16 ft

Maximum Ladder Weight RH..... 75 lbs

Maximum Ladder Length RH..... 32 ft

Maximum Ladder Section RH..... 16 ft

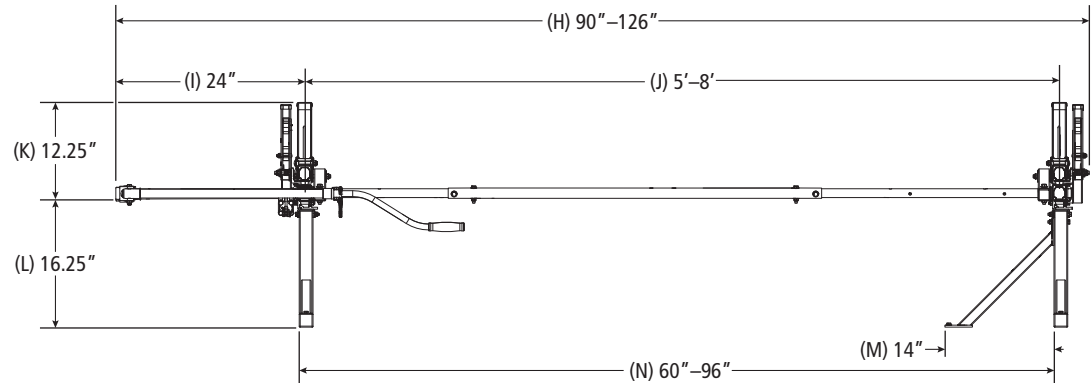
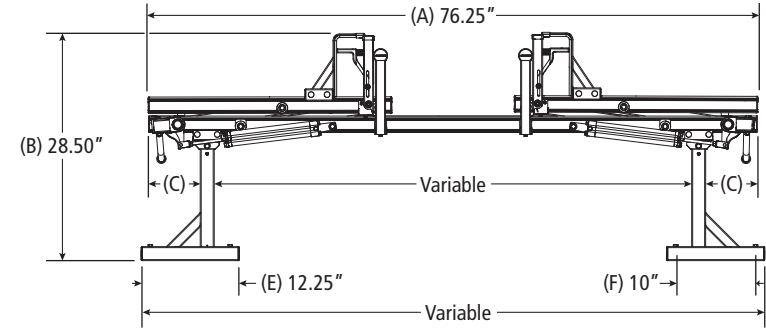
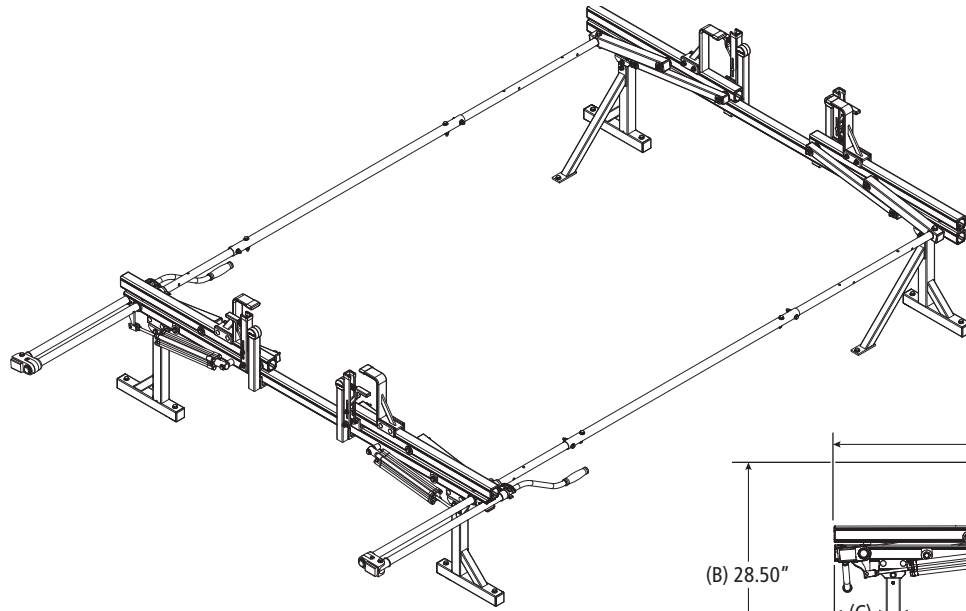


PRR-0005

Utility Rack, Elevated

Approximate dimensions as shown:

A: Rack Width	76.25"
B: Overall Rack Height	28.50"
C: L/R Offset (Even)	Variable
D: Mount Spacing L/R	Variable
E: Upright Foot Width	12.25"
F: Upright Foot Bolt Spread	10"
G: Mounting Leg Width	Variable
H: Rack Length	90"–126"
I: Drive Shaft Offset	24"
J: Crossbar Spacing	5'–8'
K: Rack Height	12.25"
L: Leg Height	16.25"
M: Front Upright Brace	14"
N: Mount Spacing R/F	60"–96"



Assembly Manual also available:

PRR-0005

USOV-PRR0005-US01 Rev-C 0218