

HRR-E-6000

Pickup Rack, Universal

Dimensional Specifications on Page 2

Configuration as shown:

Slide Rotation Left/Slide Rotation Right

Two Crossbars, US Gen4

Finish: White Powder Coat

Rack Weight (empty): 108 lbs

Load specifications as shown:

Maximum Ladder Weight LH..... 75 lbs

Maximum Ladder Length LH..... 24 ft

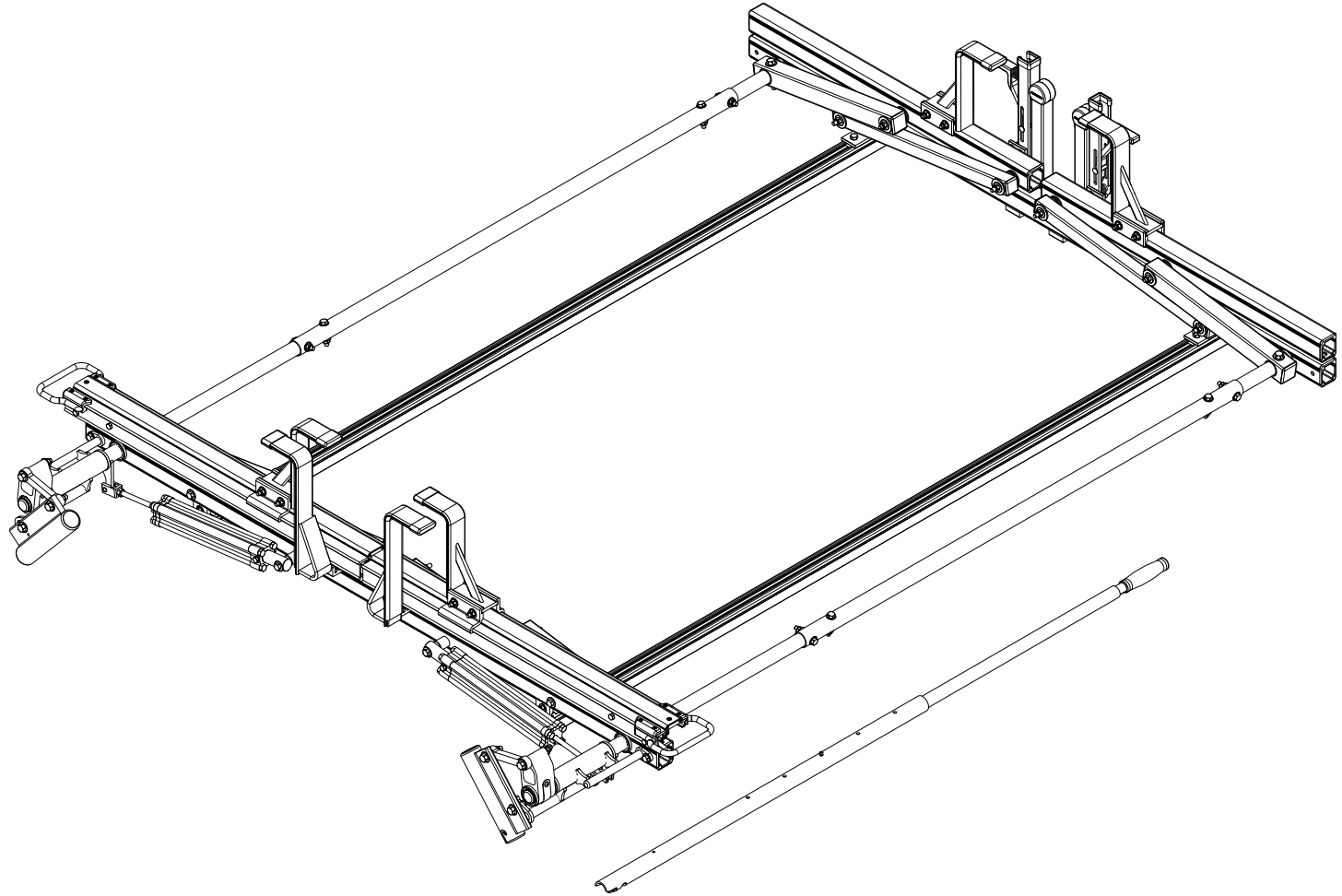
Maximum Ladder Section LH..... 12 ft

Maximum Ladder Weight RH..... 75 lbs

Maximum Ladder Length RH..... 24 ft

Maximum Ladder Section RH..... 12 ft

**Mounting Hardware ordered separately*



**Note: Mounting Hardware purchased separately. For more information, please contact Sales & Support.*

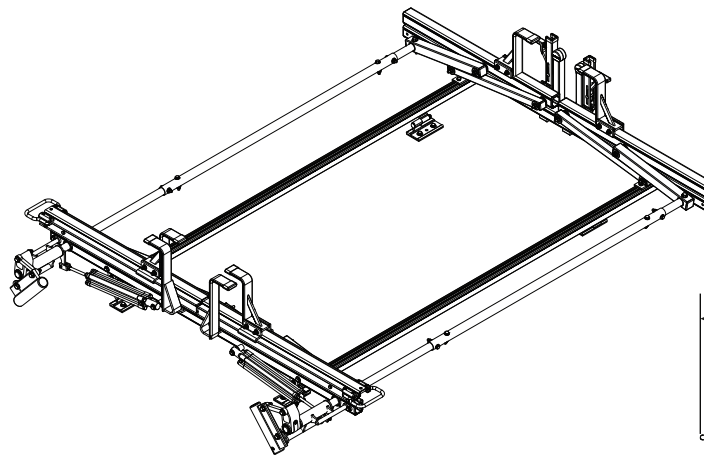
HRR-E-6000

Pickup Rack, Universal

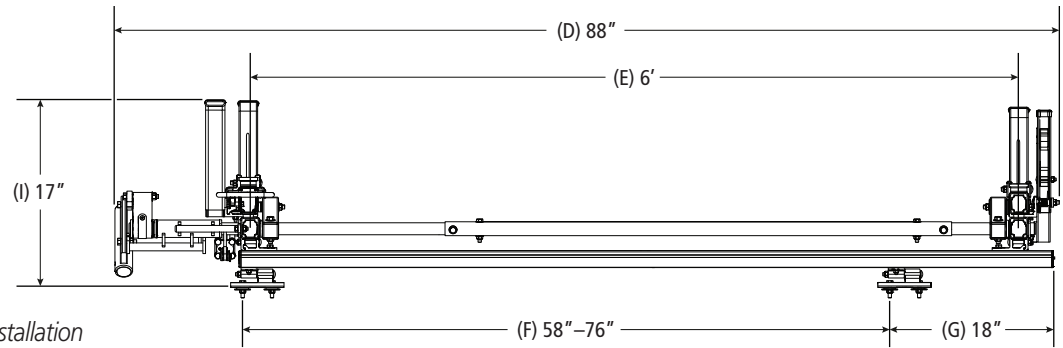
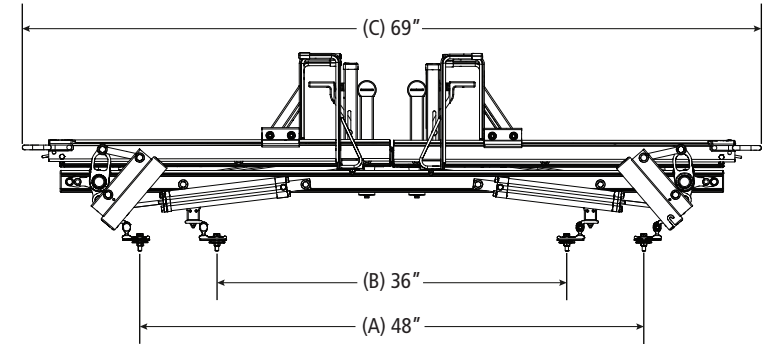
Shown with MPK-0007 for illustrative purposes only

Approximate dimensions as shown:

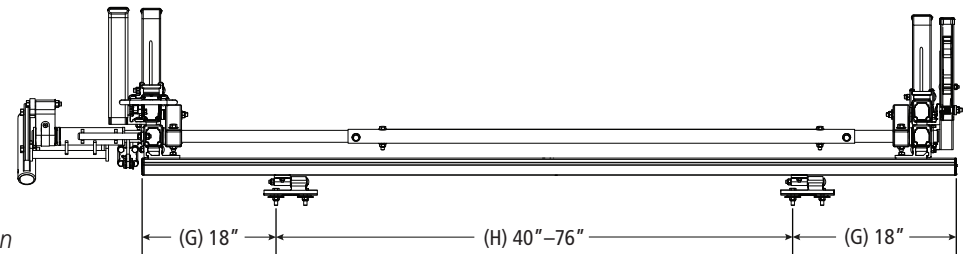
- A: Maximum Mount Spacing L/R..... 48"
- B: Minimum Mount Spacing L/R..... 36"
- C: Rack Width 69"
- D: Rack Length..... 88"
- E: Crossbar Spacing..... 6'
- F: Mount Spacing F/R (Typ) 58"–76"
- G: Maximum Mount Offset 18"
- H: Mount Spacing F/R (Alt) 40"–76"
- I: Rack Height..... 17"



**Mounting Hardware ordered separately*



Typical Installation



Alternate Installation

**Note: Mounting Hardware purchased separately. For more information, please contact Sales & Support.*

Assembly Manual also available:

HRR-E-6000

USOV-HRRE6000-US01 Rev-A 0118