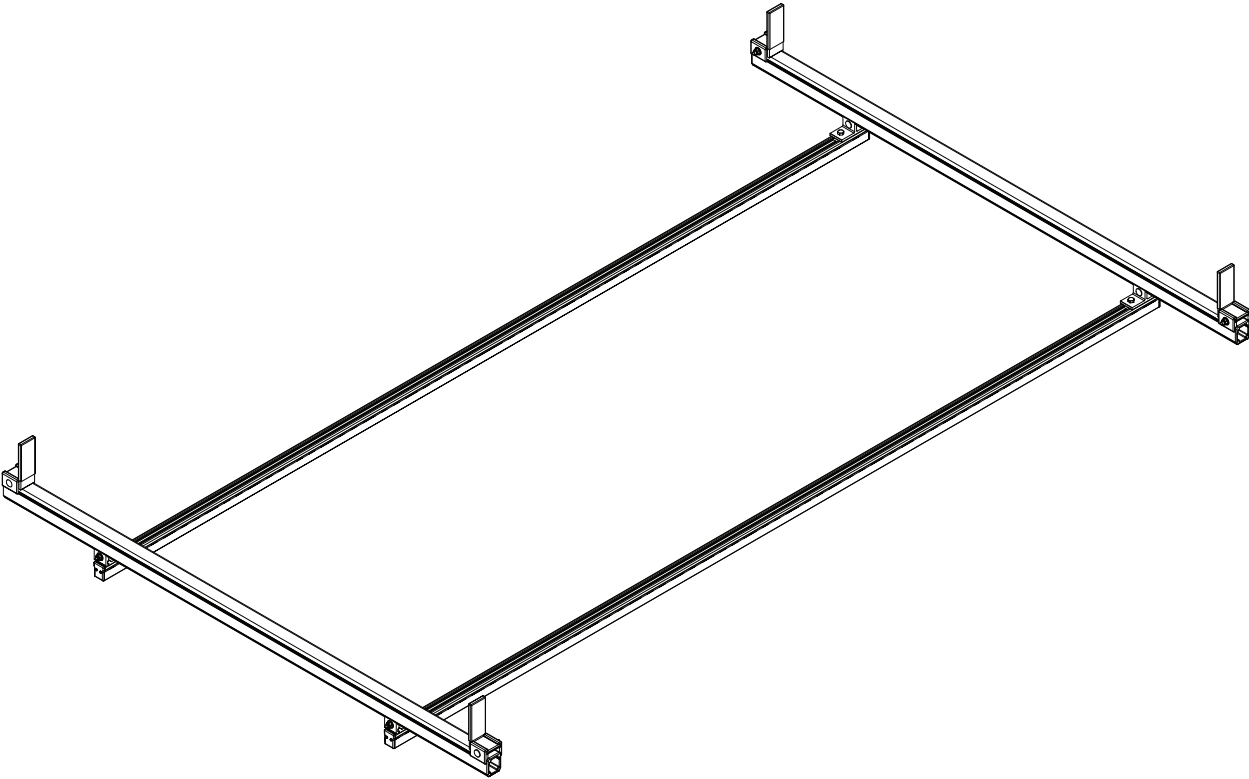


PRIME DESIGN™

A Safe Fleet Brand



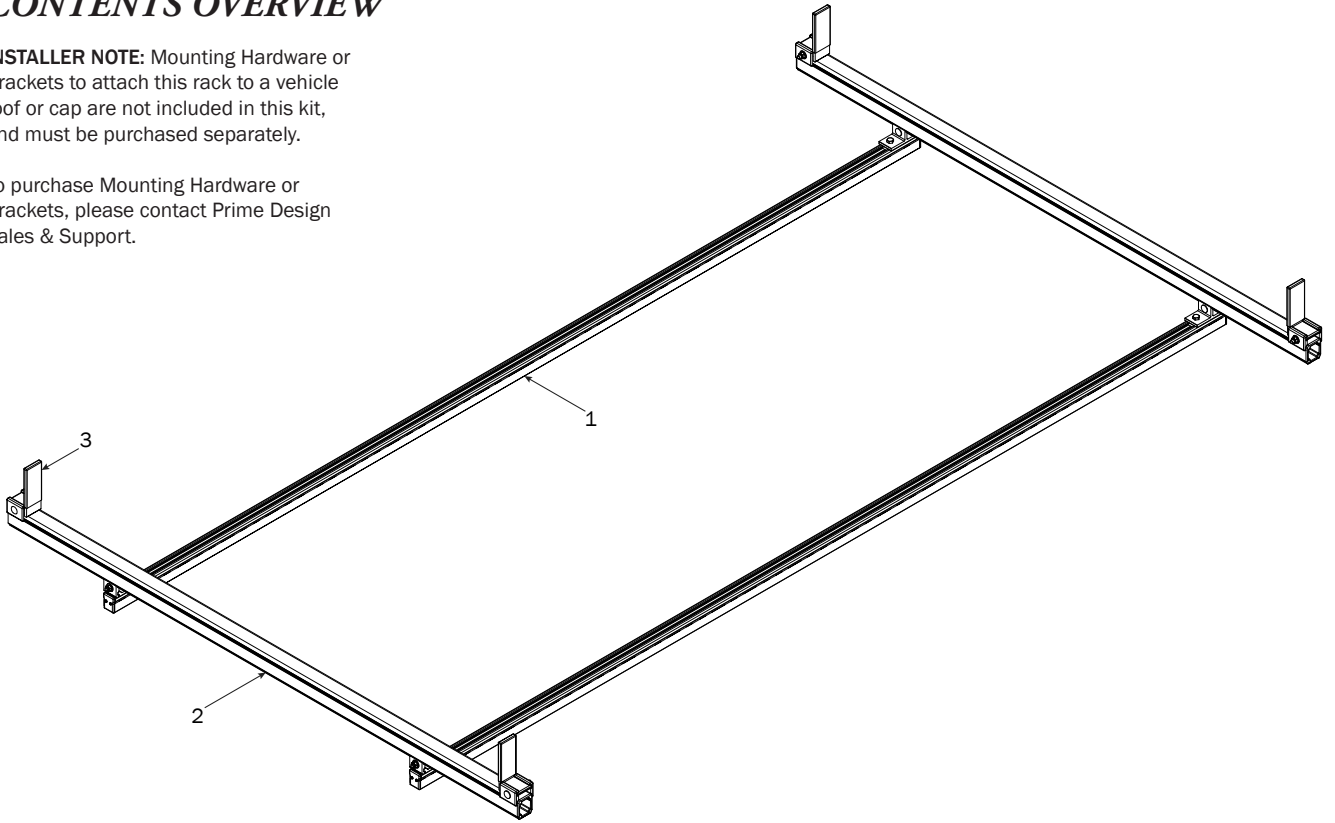
6001

PBB

CONTENTS OVERVIEW

INSTALLER NOTE: Mounting Hardware or Brackets to attach this rack to a vehicle roof or cap are not included in this kit, and must be purchased separately.

To purchase Mounting Hardware or Brackets, please contact Prime Design Sales & Support.



1—FBM-0002 (Qty 1)
Channels with hardware



Channels (2X)



Screws (8X)

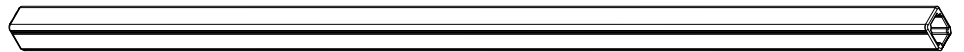


End Caps (4X)

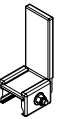


Brackets (4X)

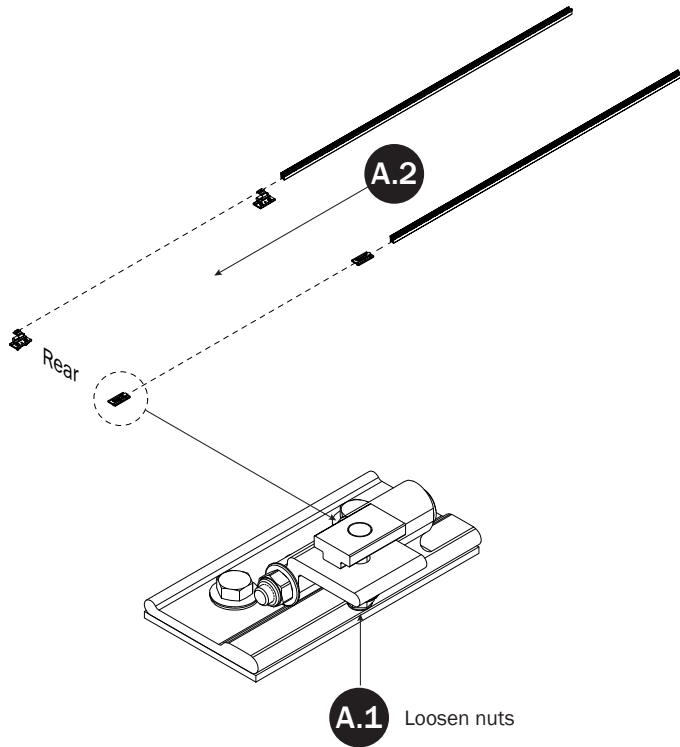
2—Crossbar Assembly..... (Qty 2)



3—Ladder Stop Assembly (Qty 4)
1.75"

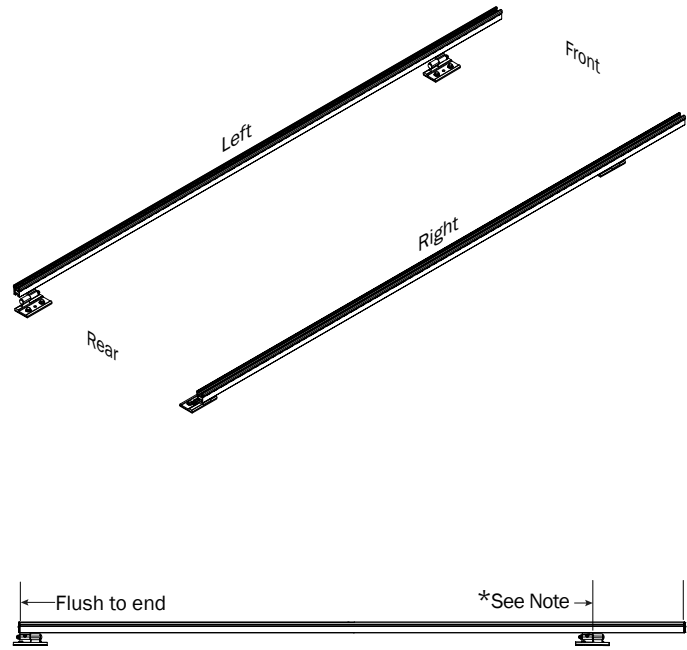


FBM-0002 FLUSH
CHANNELS TO PRE-INSTALLED
MOUNTING BRACKETS



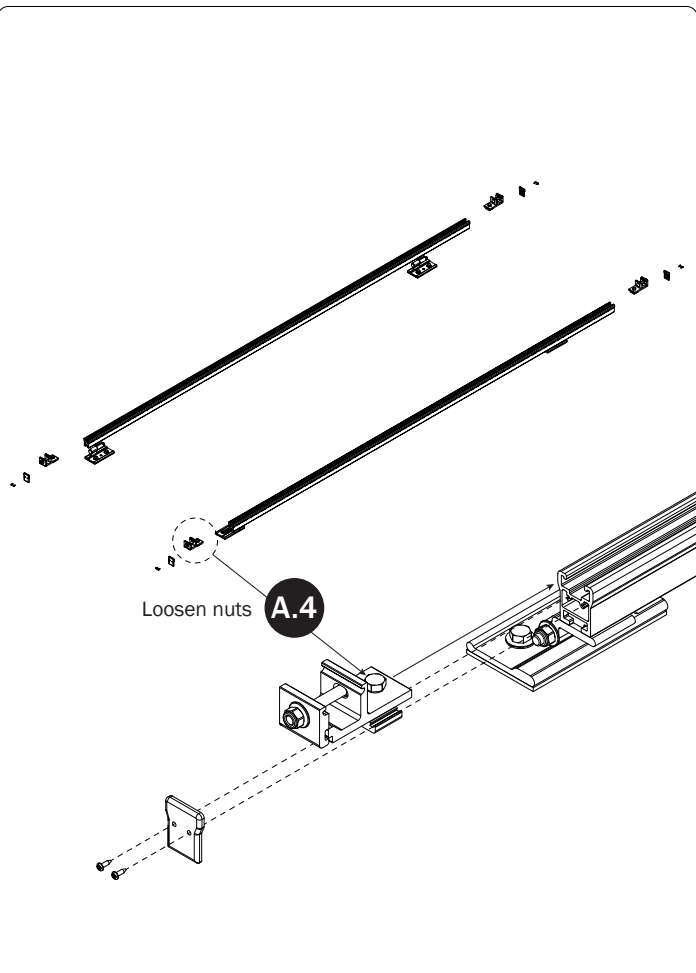
A.1 Loosen nuts

A.3 Set to distances then torque nuts to 80 in-lbs



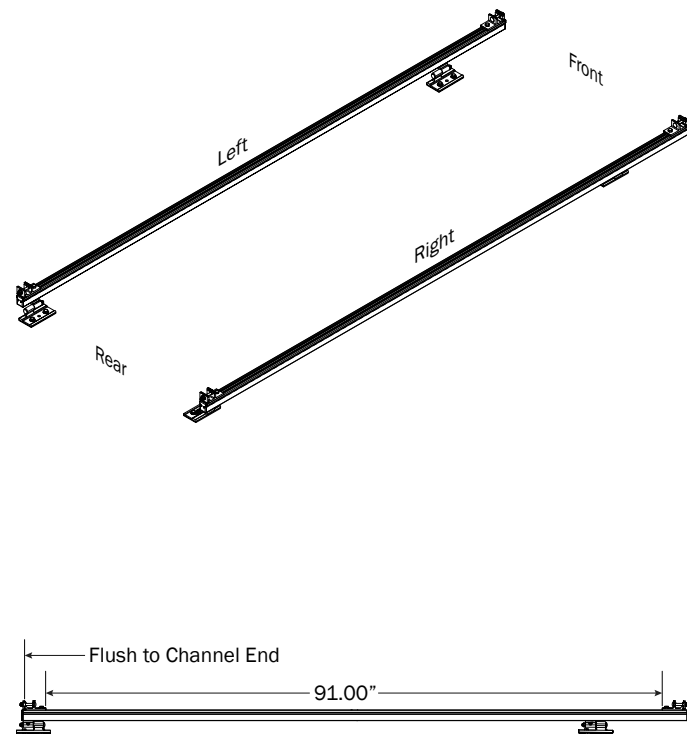
Crossbar Rear

*Note: Use Alternate instructions if marked distances exceed 18" (457mm).



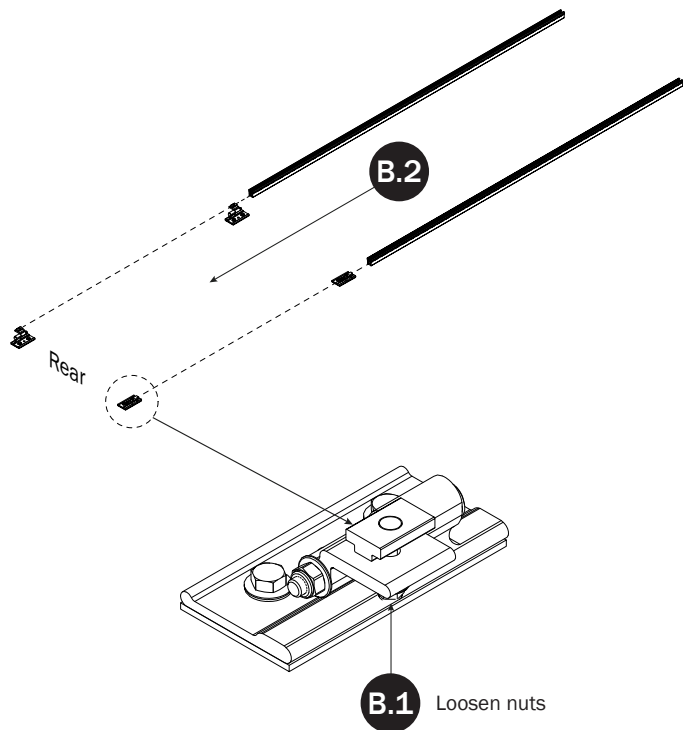
Loosen nuts **A.4**

A.5 Set to distances then torque Rear Bracket nuts to 90 in-lbs

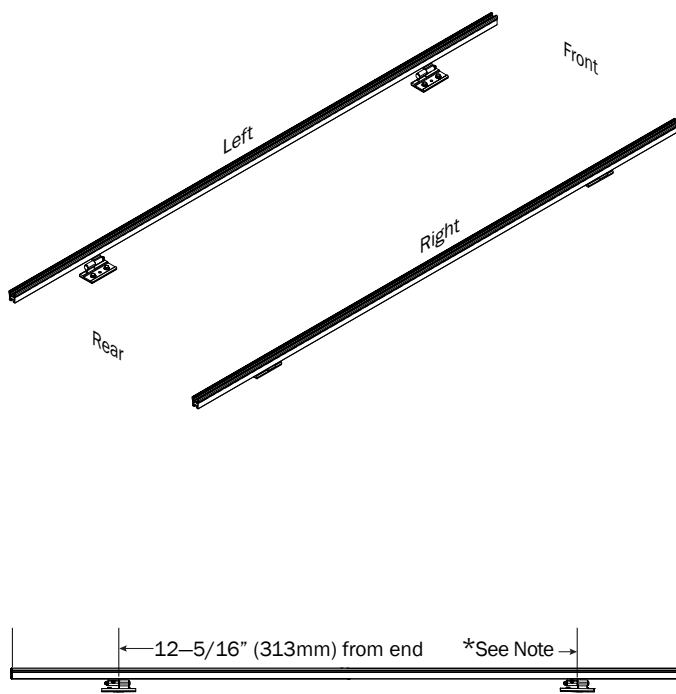


Crossbar Rear

FBM-0002 ALTERNATE CHANNELS TO PRE-INSTALLED MOUNTING BRACKETS

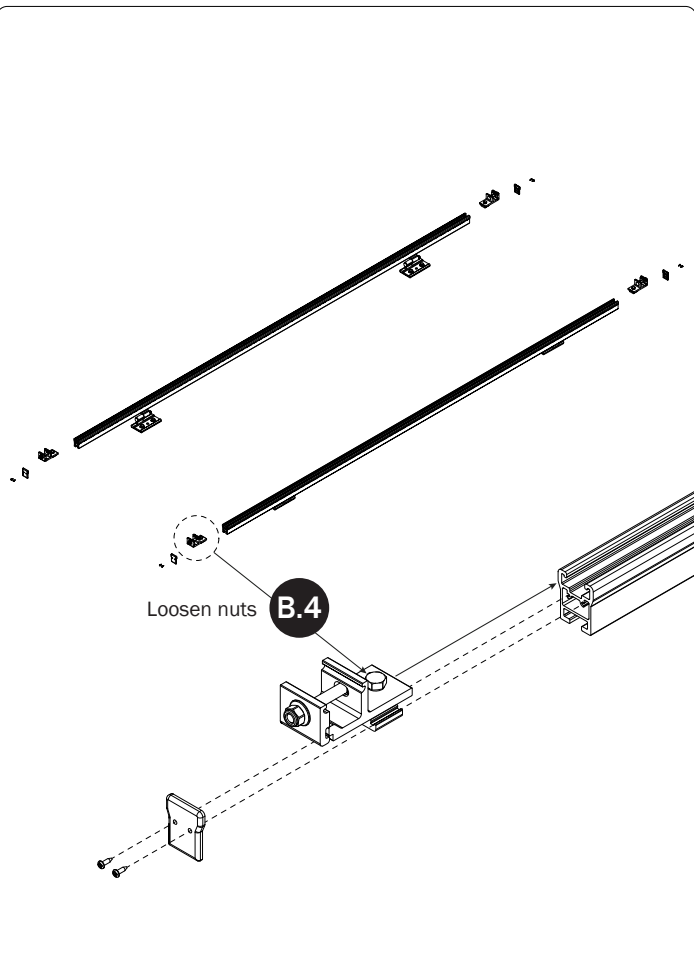


B.3 Set to distances then torque nuts to 80 in-lbs

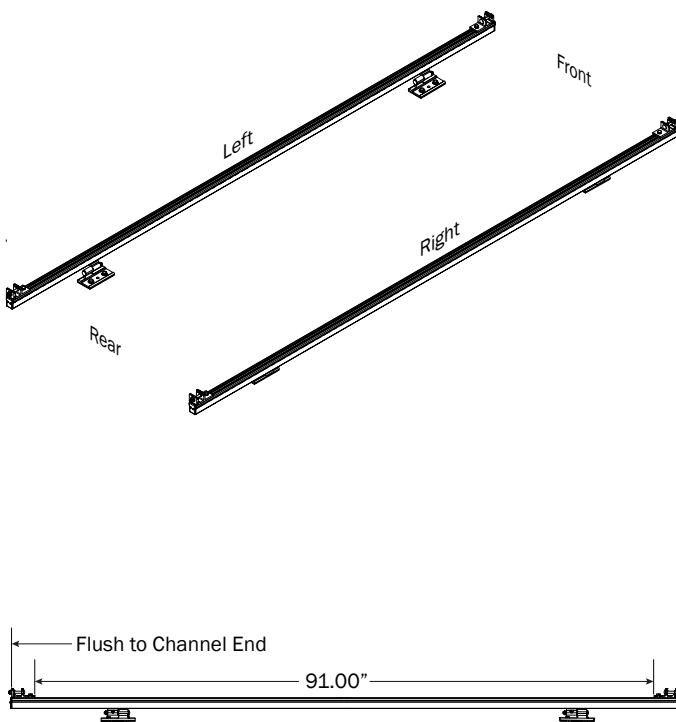


Crossbar Rear

*Note: Move Channels rearward if marked front distance exceeds 18" (457mm).

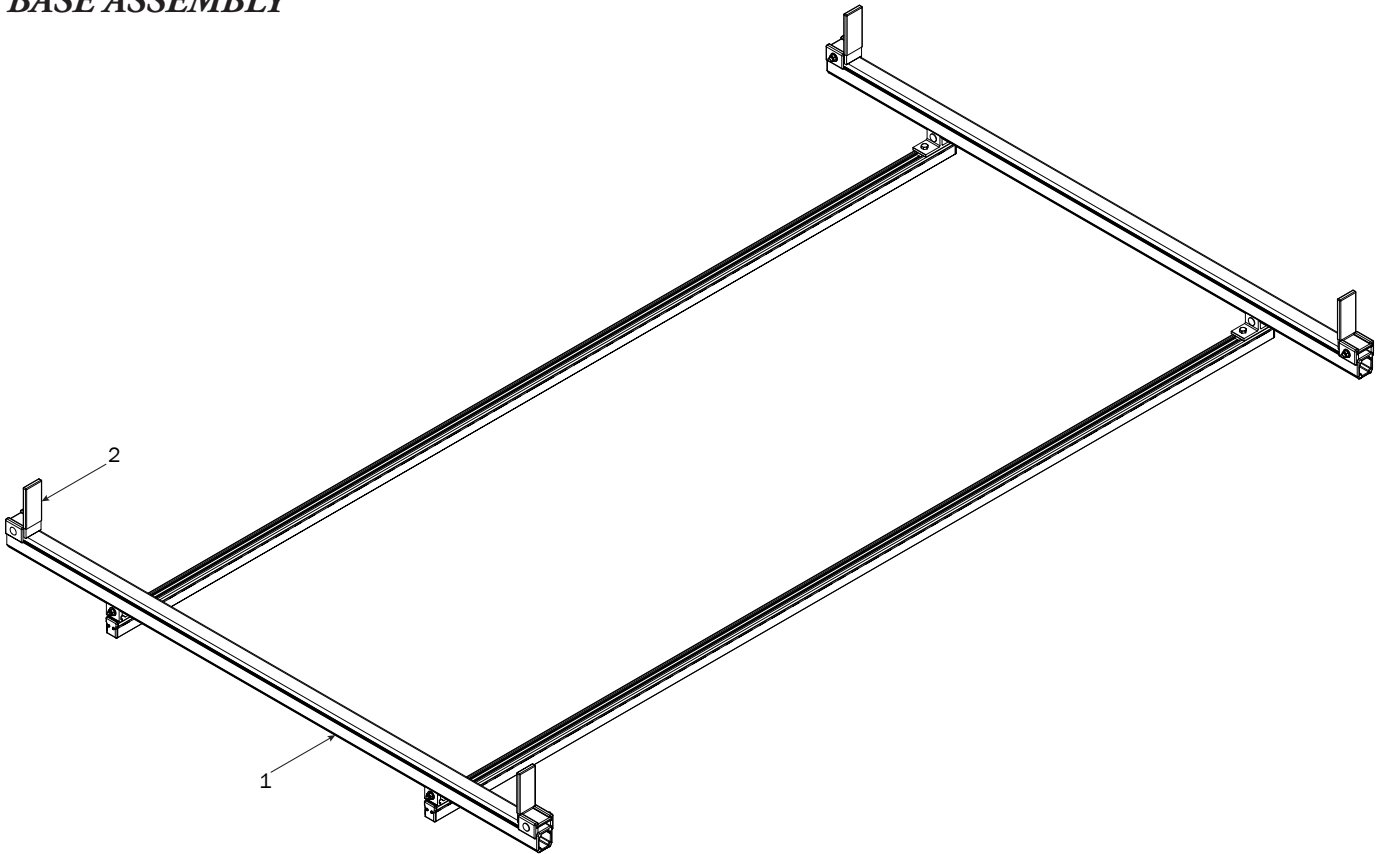


B.5 Set to distances then torque Rear Bracket nuts to 90 in-lbs

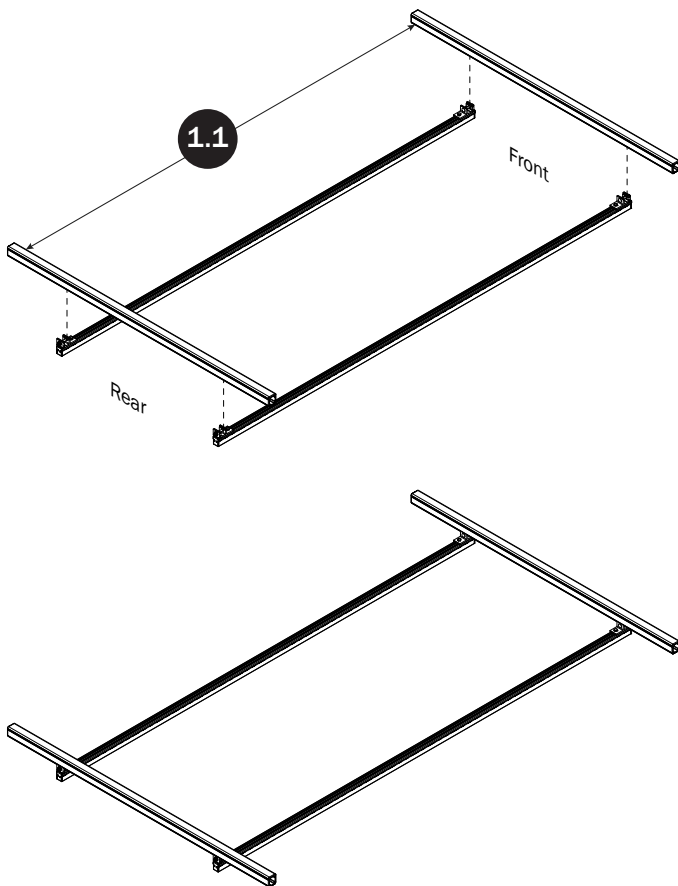


Crossbar Rear

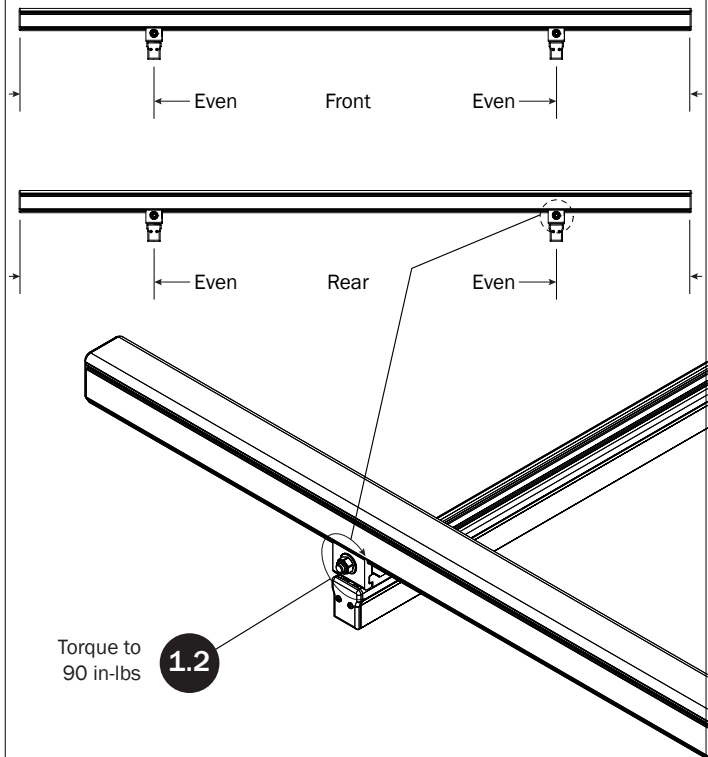
BASE ASSEMBLY



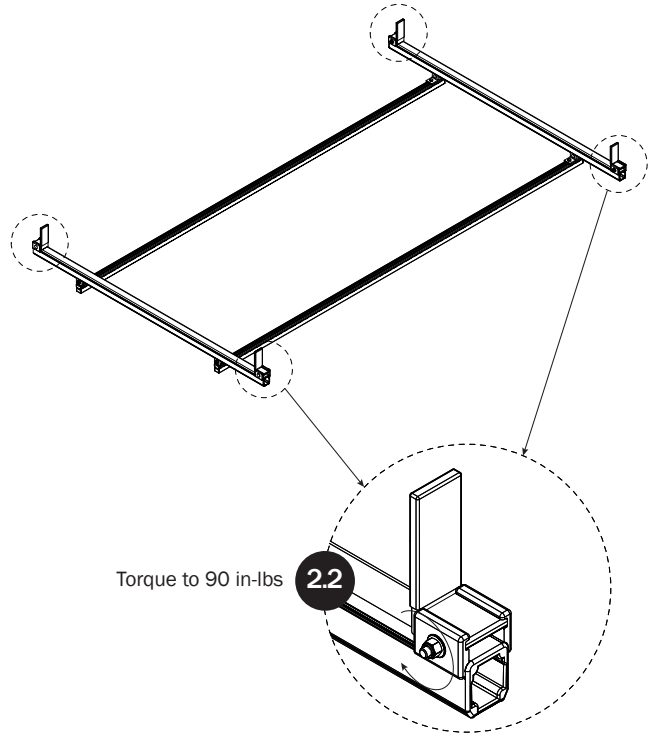
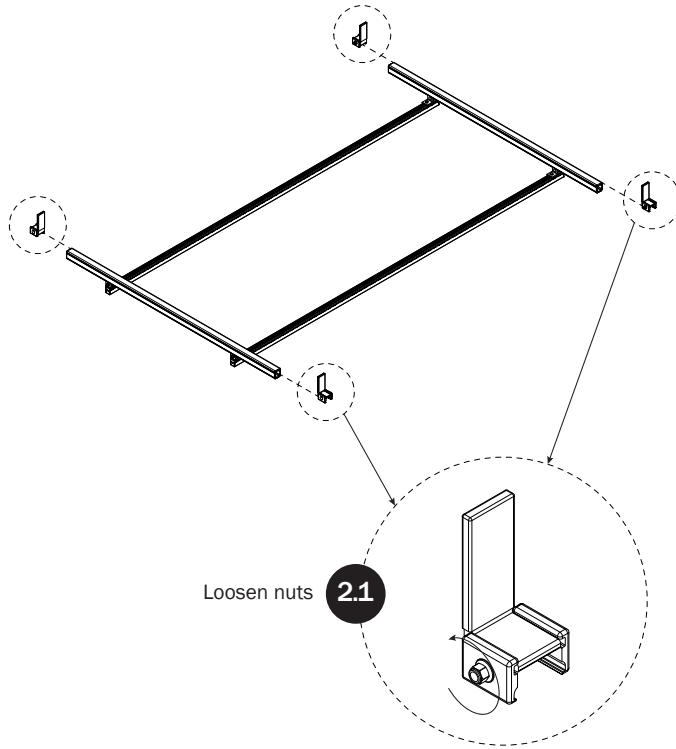
CROSSBARS



CROSSBAR ADJUSTMENT



LADDER STOPS



Page Intentionally Left Blank

