

PCC-6000

Pickup Rack, Universal

Dimensional Specifications on Page 2

Configuration as shown:

Clamp Down Left/Clamp Down Right

Two Crossbars, US Gen4

Finish: White Powder Coat

Rack Weight (empty): 48 lbs

Load specifications as shown:

Maximum Ladder Weight LH..... 100 lbs

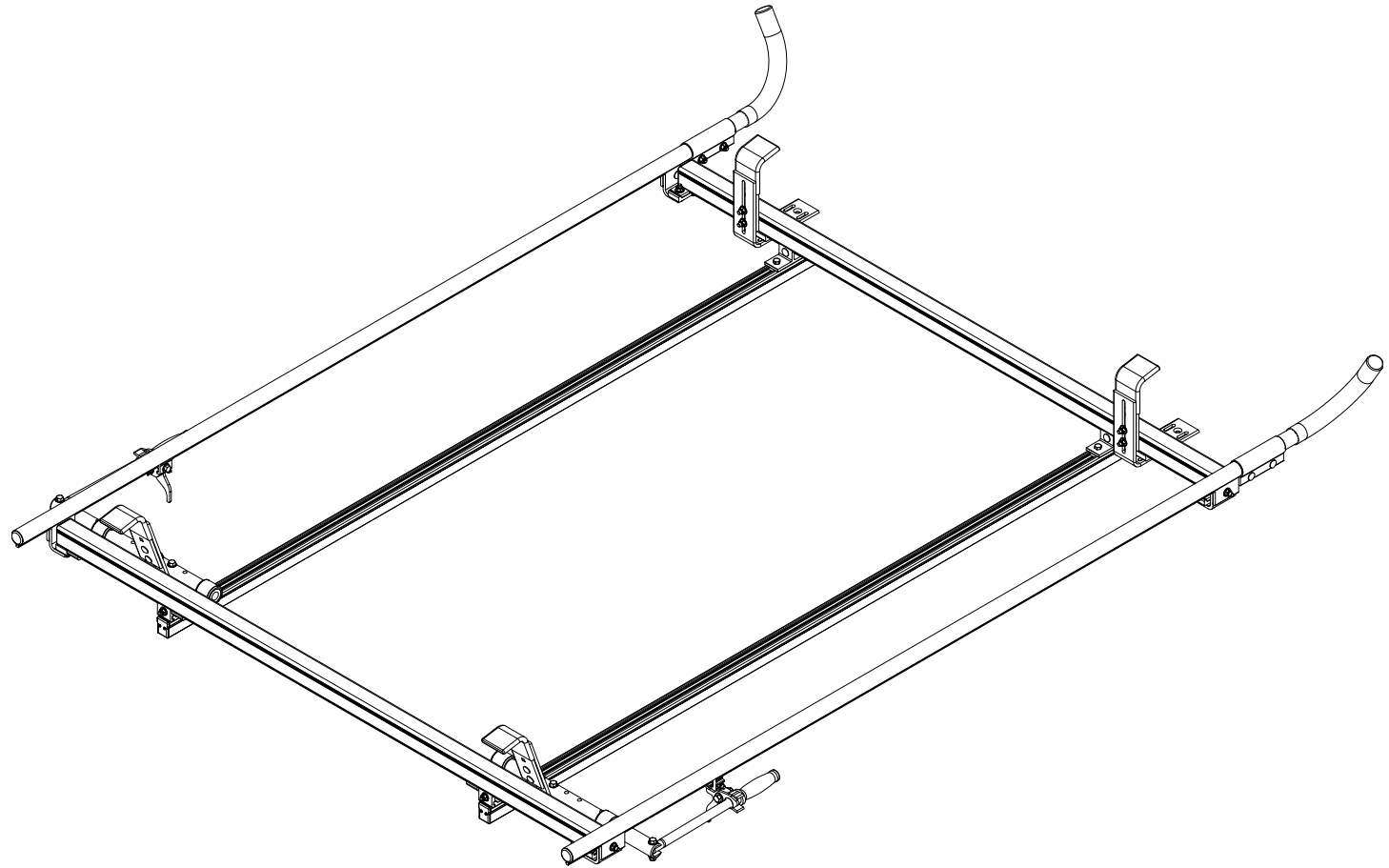
Maximum Ladder Length LH..... 24 ft

Maximum Ladder Section LH 12 ft

Maximum Ladder Weight RH 100 lbs

Maximum Ladder Length RH 24 ft

Maximum Ladder Section RH..... 12 ft



**Note: Mounting Hardware purchased separately. For more information, please contact Sales & Support.*

PCC-6000

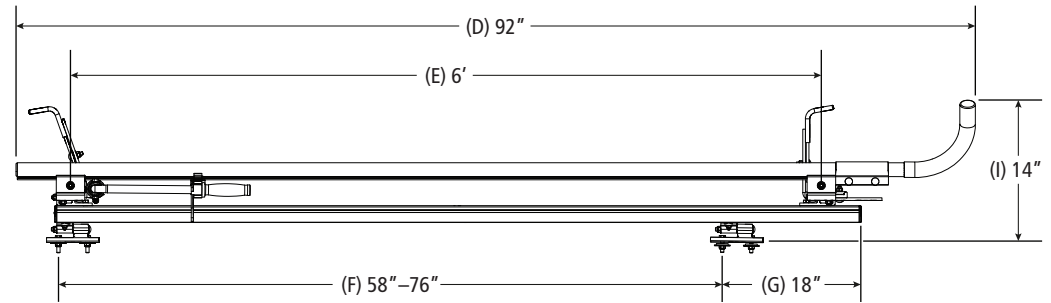
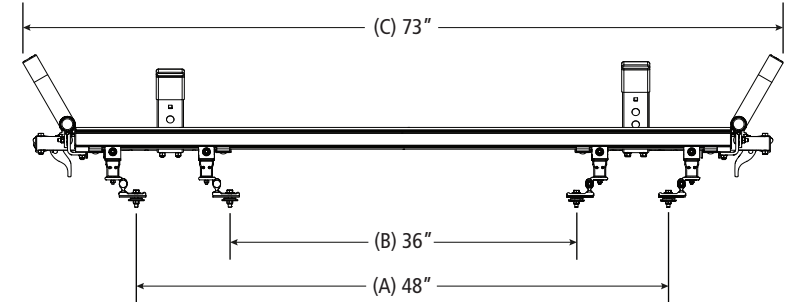
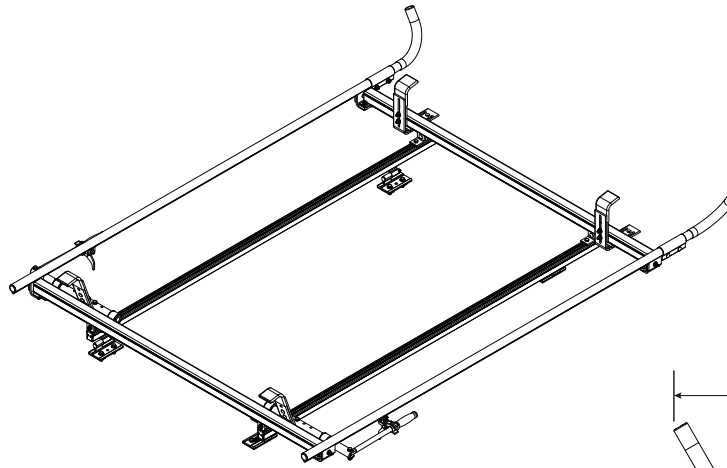
Pickup Rack, Universal

Shown with MPK-0007 for illustrative purposes only

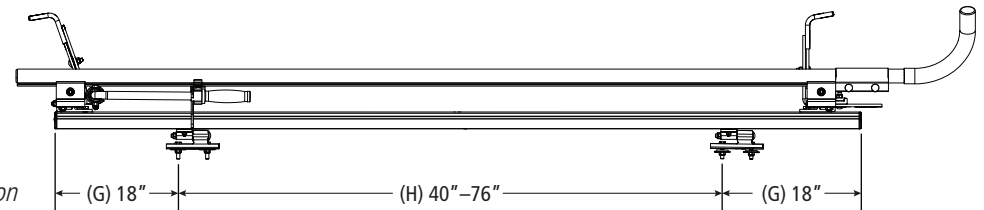
Approximate dimensions as shown:

- A: Maximum Mount Spacing L/R..... 48"
- B: Minimum Mount Spacing L/R..... 36"
- C: Rack Width 73"
- D: Rack Length..... 92"
- E: Crossbar Spacing..... 6'
- F: Mount Spacing F/R (Typ) 58"–76"
- G: Maximum Mount Offset 18"
- H: Mount Spacing F/R (Alt) 40"–76"
- I: Rack Height..... 14"

**Mounting Hardware ordered separately*



Typical Installation



Alternate Installation

**Note: Mounting Hardware purchased separately. For more information, please contact Sales & Support.*

Assembly Manual also available:

PCC-6000

USOV-PCC6000-US01 Rev-A 0118