

## PCR-6000

### Pickup Rack, Universal

Dimensional Specifications on Page 2

#### Configuration as shown:

Clamp Down Left/Rotation Right

Two Crossbars, US Gen4

Finish: White Powder Coat

Rack Weight (empty): 71 lbs

#### Load specifications as shown:

Maximum Ladder Weight LH..... 100 lbs

Maximum Ladder Length LH..... 24 ft

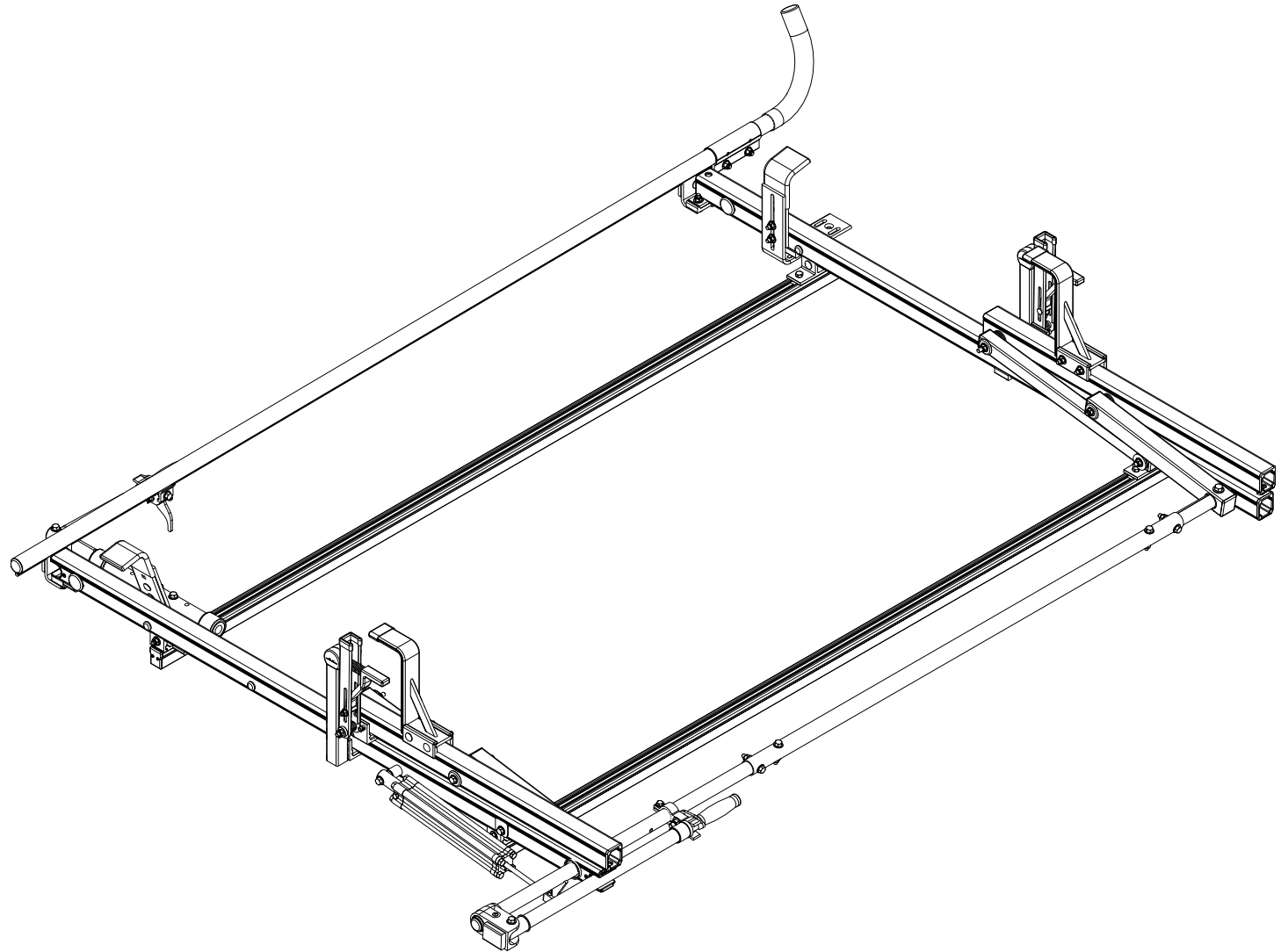
Maximum Ladder Section LH ..... 12 ft

Maximum Ladder Weight RH ..... 75 lbs

Maximum Ladder Length RH ..... 24 ft

Maximum Ladder Section RH..... 12 ft

*\*Mounting Hardware ordered separately*



*\*Note: Mounting Hardware purchased separately.  
For more information, please contact Sales & Support.*

## PCR-6000

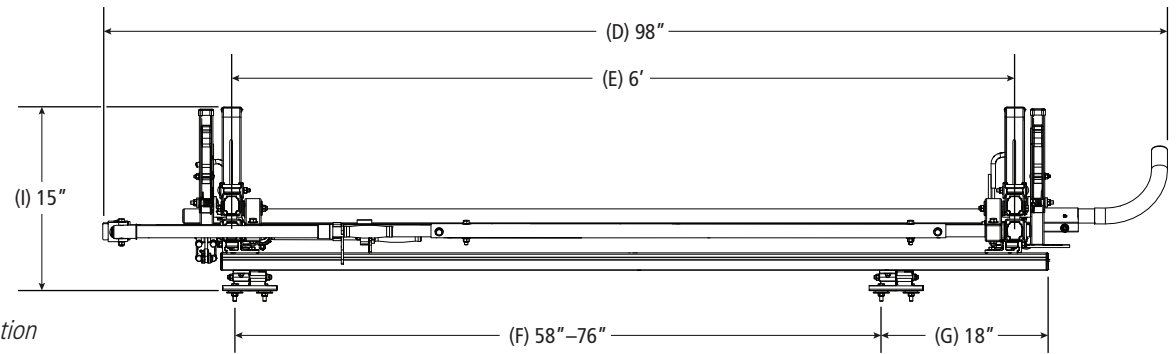
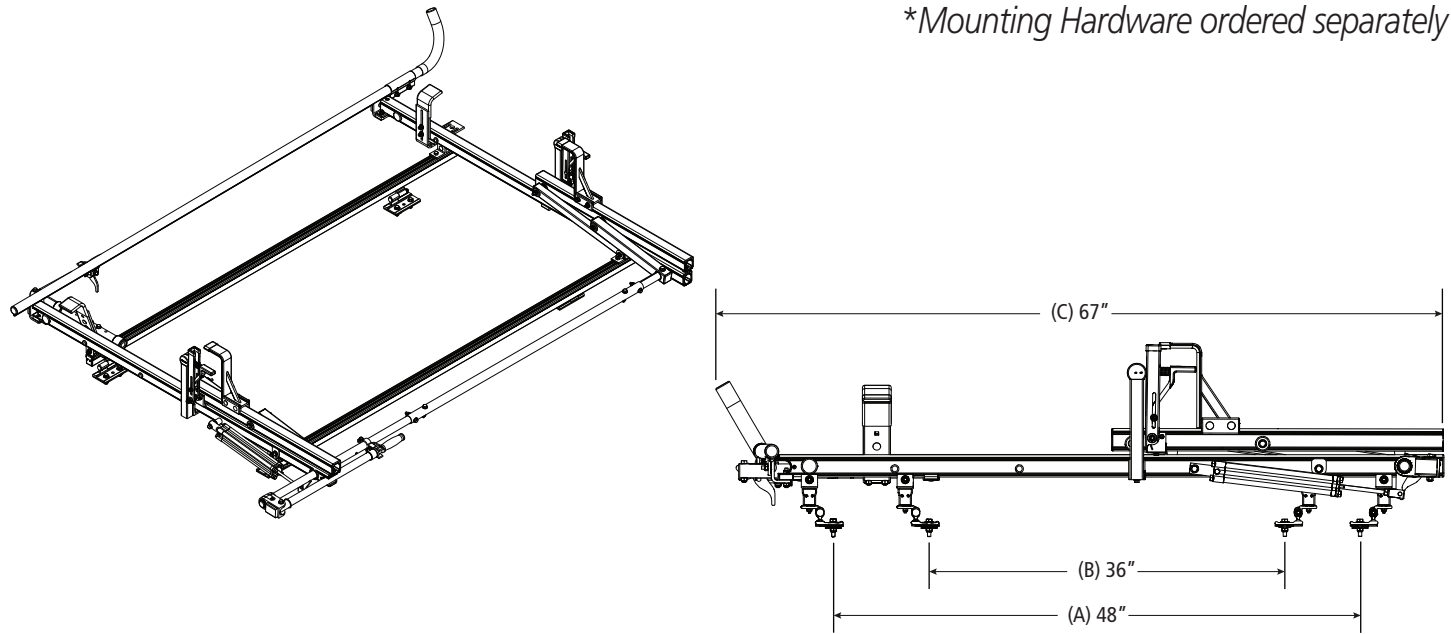
### Pickup Rack, Universal

Shown with MPK-0007 for illustrative purposes only

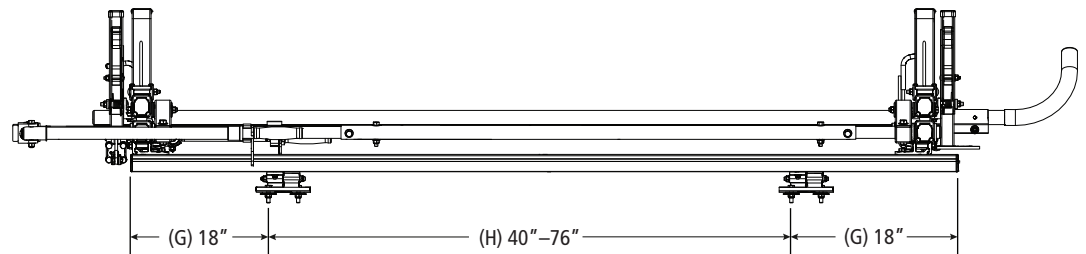
Approximate dimensions as shown:

- A: Maximum Mount Spacing L/R\*\* ..... 48"
- B: Minimum Mount Spacing L/R\*\* ..... 36"
- C: Rack Width ..... 67"
- D: Rack Length ..... 98"
- E: Crossbar Spacing ..... 6'
- F: Mount Spacing F/R (Typ) ..... 58"–76"
- G: Maximum Mount Offset ..... 18"
- H: Mount Spacing F/R (Alt) ..... 40"–76"
- I: Rack Height ..... 15"

\*Mounting Hardware ordered separately



Typical Installation



Alternate Installation

\*Note: Mounting Hardware purchased separately. For more information, please contact Sales & Support.

\*\*Note: Dimensions may vary depending on topper reinforcing plate locations.

Assembly Manual also available:

## PCR-6000

USOV-PCR6000-US01 Rev-A 0118