

PRR-6000

Pickup Rack, Universal

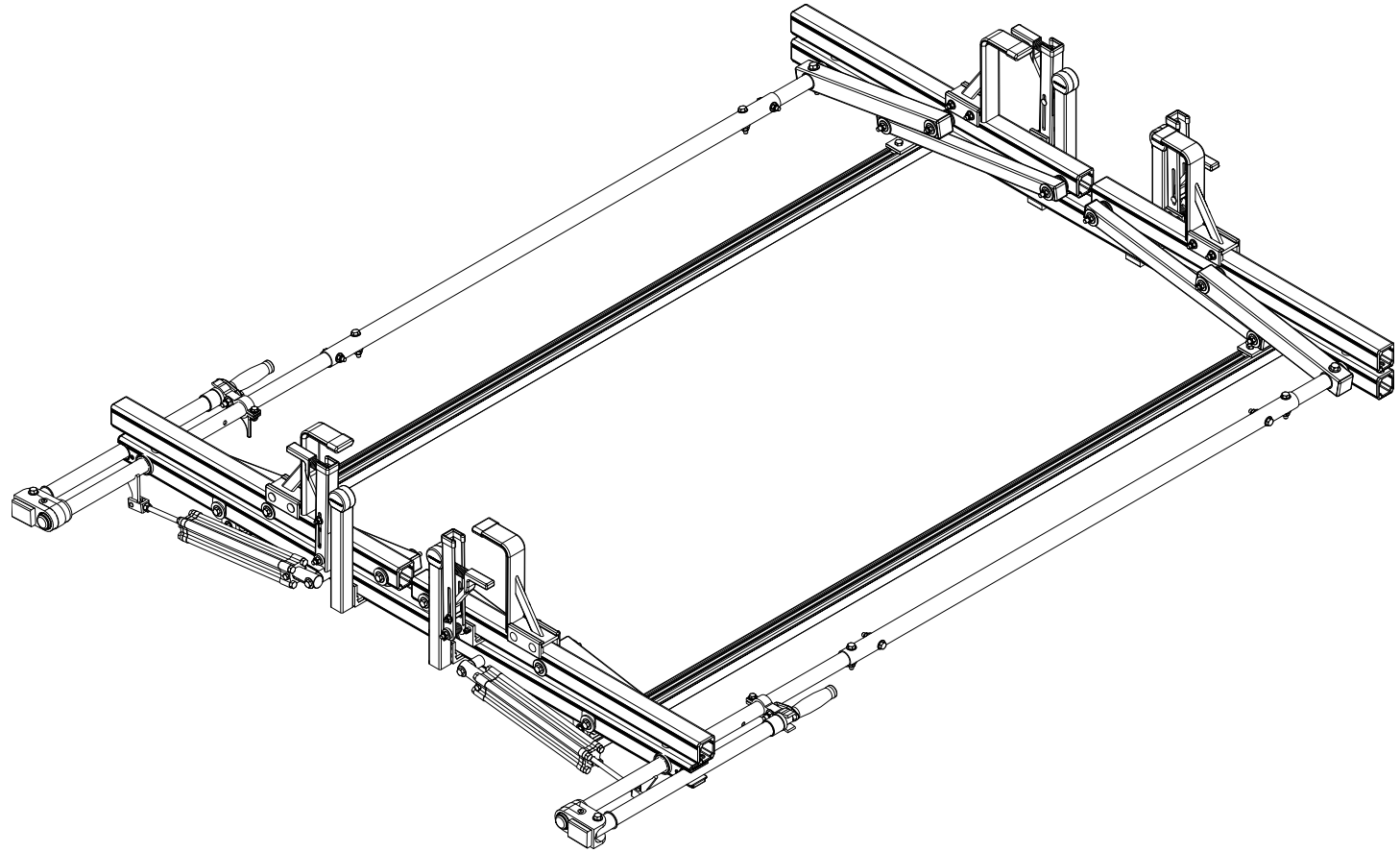
Dimensional Specifications on Page 2

Configuration as shown:

Rotation Left/Rotation Right
62" Crossbar Family
Two Crossbars, US Gen4
Finish: White Powder Coat
Rack Weight (empty): 96 lbs

Load specifications as shown:

Maximum Ladder Weight LH..... 75 lbs
Maximum Ladder Length LH..... 24 ft
Maximum Ladder Section LH 12 ft
Maximum Ladder Weight RH 75 lbs
Maximum Ladder Length RH 24 ft
Maximum Ladder Section RH..... 12 ft



**Note: Mounting Brackets purchased separately. For more information, please contact Sales & Support.*

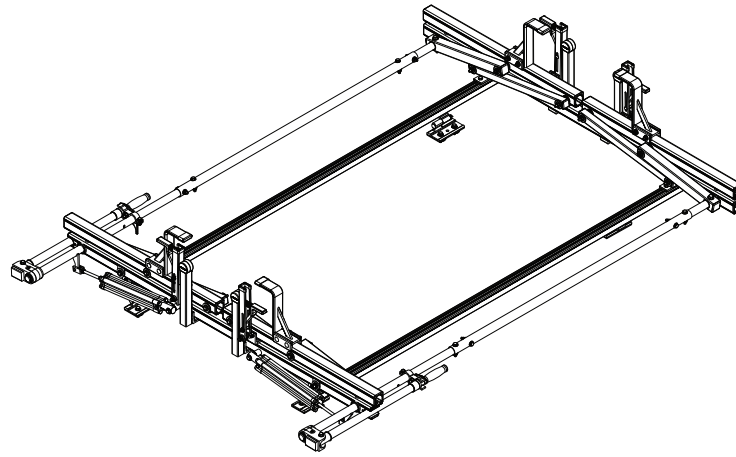
PRR-6000

Pickup Rack, Universal

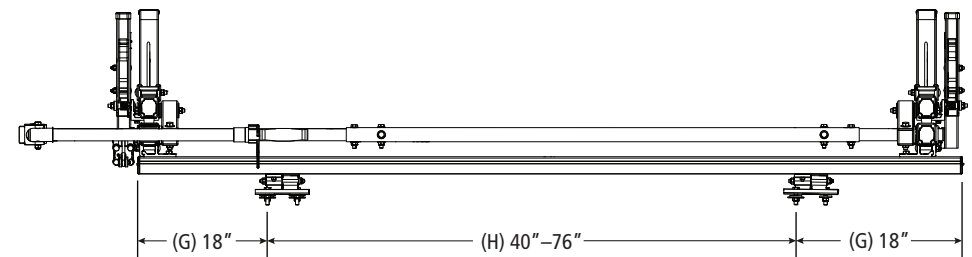
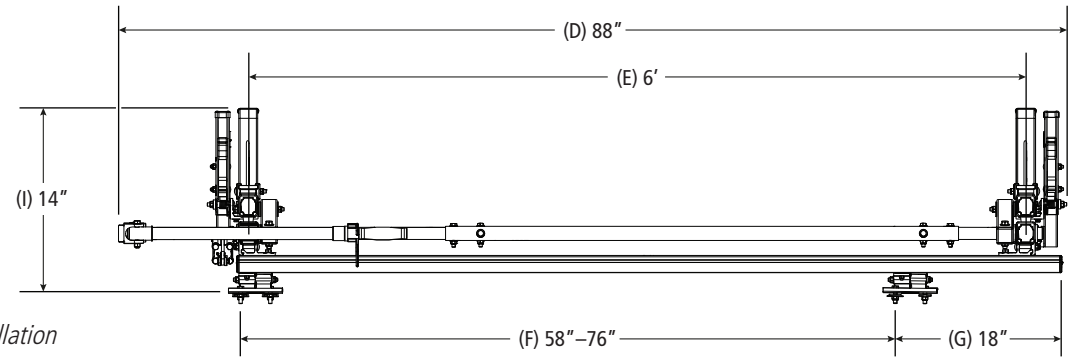
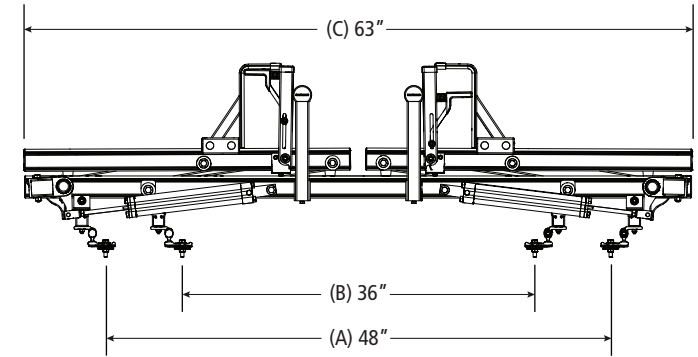
Shown with MPK-0007 for illustrative purposes only

Approximate dimensions as shown:

- A: Maximum Mount Spacing L/R** 48"
- B: Minimum Mount Spacing L/R** 36"
- C: Rack Width 63"
- D: Rack Length 88"
- E: Crossbar Spacing 6'
- F: Mount Spacing F/R (Typ) 58"–76"
- G: Maximum Mount Offset 18"
- H: Mount Spacing F/R (Alt) 40"–76"
- I: Rack Height 14"



**Mounting Hardware ordered separately*



**Note: Mounting Hardware purchased separately. For more information, please contact Sales & Support.*

***Note: Dimensions may vary depending on topper reinforcing plate locations.*

Assembly Manual also available:

PRR-6000

USOV-PRR6000-US01 Rev-A 0118