

# PRIME DESIGN™

A Safe Fleet Brand

## UXV-202

### Vertical Utility Rack, Top Mount

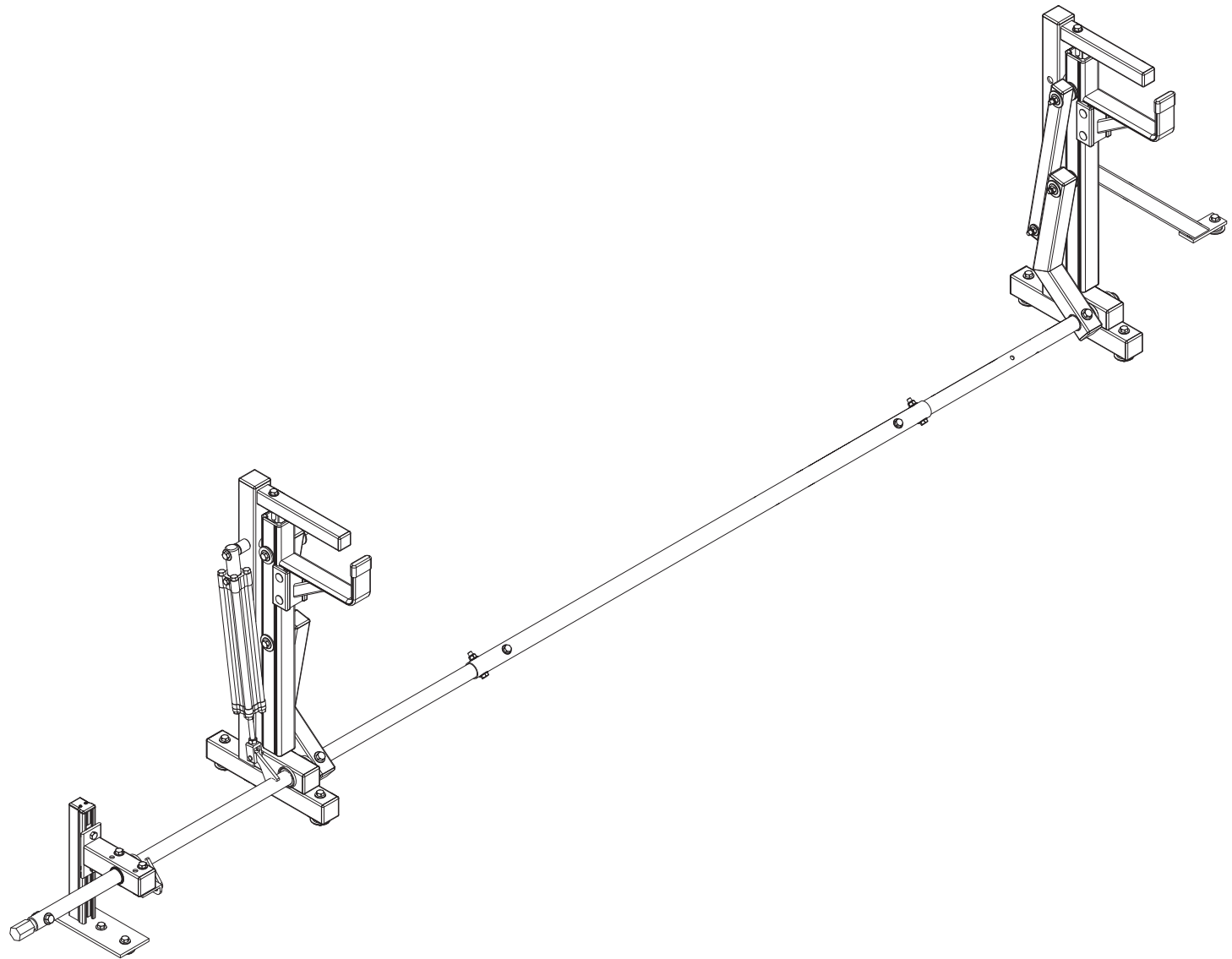
Dimensional Specifications on Page 2

#### Configuration as shown:

Rotation Right  
Two Vertical Uprights  
Finish: White Powder Coat  
Overall Weight (empty): 41 lbs

#### Load specifications as shown:

Maximum Ladder Weight RH ..... 75 lbs  
Maximum Ladder Length RH ..... 32 ft  
Maximum Ladder Section RH..... 16 ft

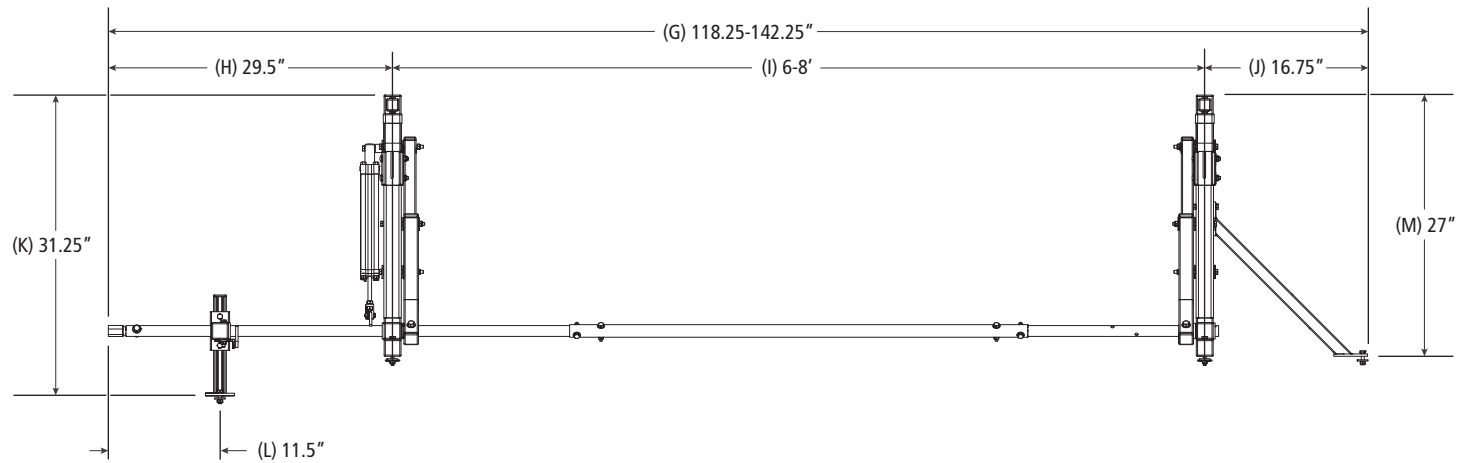
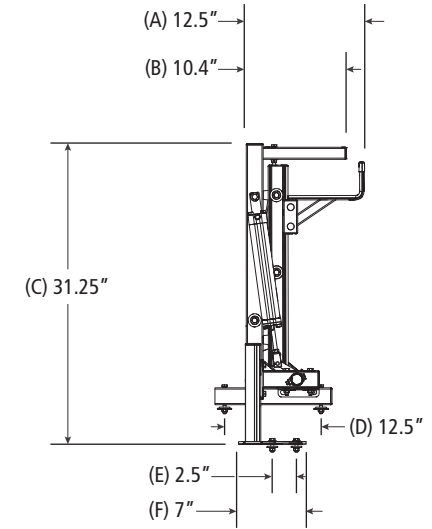
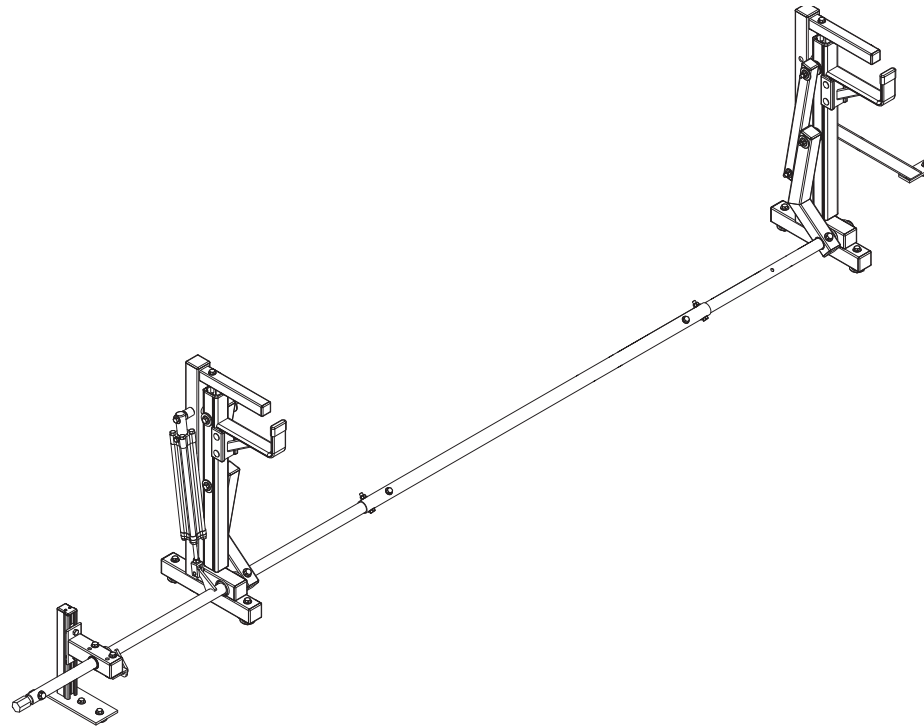


## UXV-202

### Vertical Utility Rack, Top Mount

Approximate dimensions as shown:

- A: Rack Width ..... 12.5"
- B: Upper Post Width ..... 10.4"
- C: Total Rack Height ..... 31.25"
- D: Upright Mounting Bolt Spread ..... 12.5"
- E: Mounting Foot Bolt Spread ..... 2.5"
- F: Mounting Foot Length ..... 7"
- G: Rack Length ..... 118.25-142.25"
- H: Drive Shaft Offset ..... 29.5"
- I: Upright Spacing ..... 6-8'
- J: Mount Brace Offset ..... 16.75"
- K: Rear Rack Height ..... 31.25"
- L: Rear Drive Shaft Support Offset ..... 11.5"
- M: Front Rack Height ..... 27"



Assembly Manual also available:

## UXV-202

USOV-UXV202-US01 Rev-D 0118