

## CS-B15-18

### Cantilever Shelving Layout for Generic Box Truck, 15' Module

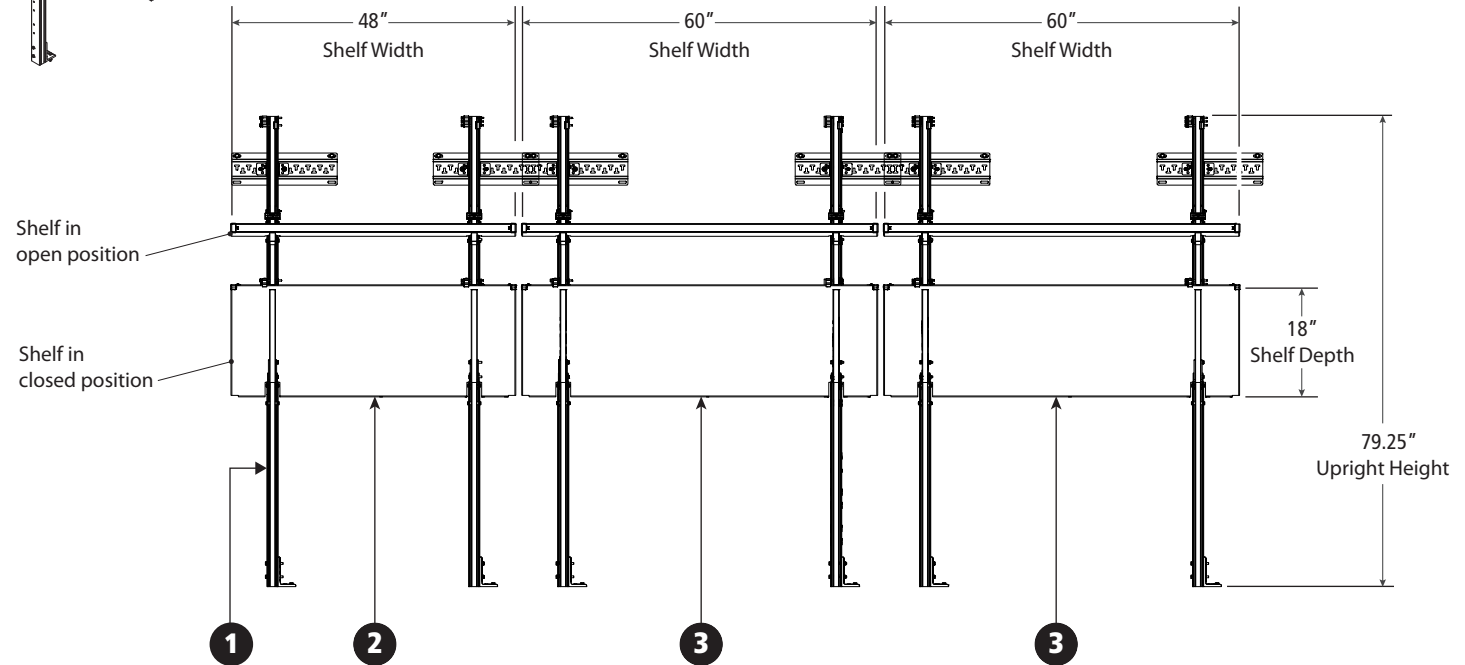
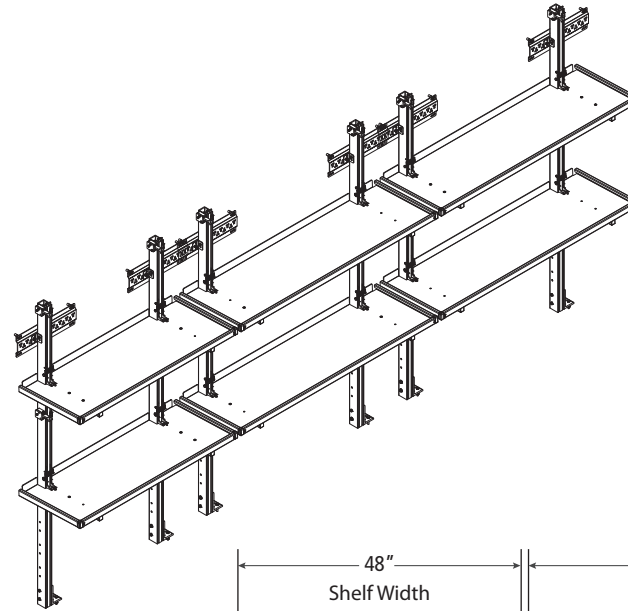
Shelving Module, Natural Aluminum Finish  
 79.25" Uprights, with Mounting Assembly  
 48" x 18" Shelving Pair  
 60" x 18" Shelving Pairs  
 Assembly Weight (empty): 224 lbs

#### Required Assemblies:

CalloUT NUMBER	PART NUMBER	QTY
1	<a href="#">CSU-3008</a>	6
2	<a href="#">CSS-5006</a>	1
3	<a href="#">CSS-5007</a>	2

\*Callouts on this page indicate full module assemblies only.

\*See notes on this configuration & other options (sold separately) on page 2.



#### Cantilever Shelving—Load specifications:

Each shelf can support up to 60 lbs. per linear ft. Check OEM manufacturer recommendations for mounting location capacity weight limits.

## CS-B15-18

### Cantilever Shelving Layout for Generic Box Truck, 15' Module

#### Configuration Notes & Compatible Options (Sold Separately):

CALLOUT NUMBER	NOTE
1	Certain Box Trucks may include a door on the passenger side. Layout requirements and other OEM recommendations will need to be considered before installation.
2	Box Trucks may include various obstructions such as fuel line boxes or sliding rear doors. Clearance distances and OEM recommendations will need to be considered before installation.
3	Consideration may be required for box truck models with wheel wells. Uprights may be installed around or over wheel wells as needed.  If necessary for your configuration, the Wheel Well Support Accessory is available (sold separately).
4	<a href="#">CSU-3100: Wheel Well Support</a> (sold separately)
5	<b>Customizable Upright Assemblies:</b>  Original Packaged Height vs. Cut Heights  For further instructions regarding cutting locations, refer to Page 4 of your <a href="#">Upright Assembly Manual</a> .

\*Reminder: Consult Sales & Service regarding your vehicle size and configuration for appropriate shelving size accommodations.

\*Partial configuration shown with options for illustrative purposes only

