

HBR-E-SWM-M

Utility Side Wall Mount Series

HBR-E-SWM-90-M configuration shown for illustrative purposes

Module Assemblies:

A: End Stop Assembly.....[FEA-0001](#)

B: Mounting Systems

HRR-E-SWM-110D-72-M.....[FBM-1030-BLK](#)

All other SWM models.....[FBM-1028-BLK](#)

C: Crossbar Assembly Sizes per Rack Configuration:

HRR3-E-SWM-110D-72-M:..... [CBR-0007](#)

HRR3-E-SWM-78-M:..... [CBR-0005](#)

HRR3-E-SWM-84-M:..... [CBR-0016](#)

HRR3-E-SWM-90-M:..... [CBR-0018](#)

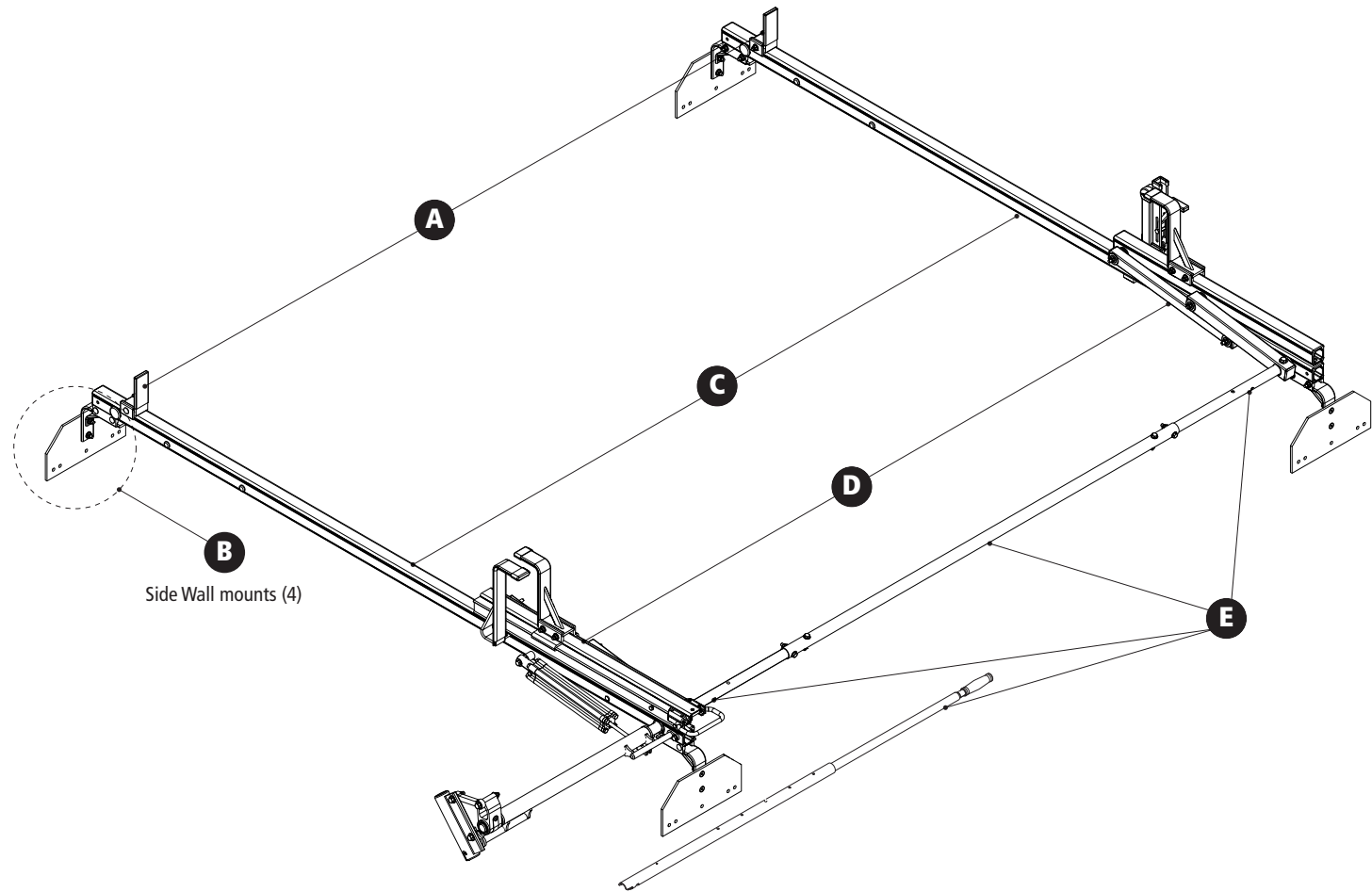
HRR3-E-SWM-99-M:..... [CBR-0020](#)

D: Slide Rotation Assembly (RH).....[FEA-0003](#)

E: Rotation Drive Shaft Assembly (RH).....[FEA-0019](#)

[Modular Assembly Manuals](#)

*Callouts in this Configuration Overview indicate full module assemblies only. For details on individual parts, please refer to the linked Module Overviews.



HBR-E-SWM-M

Utility Side Wall Mount Series

HBR-E-SWM-90-M configuration shown for illustrative purposes

Approximate dimensions as shown:

A: Total Rack Widths per Configuration:

- HBR-E-SWM-110D-72-M:..... 75" –77"
- HBR-E-SWM-78-M: 81" –83"
- HBR-E-SWM-84-M: 87" –89"
- HBR-E-SWM-90-M: 93" –95"
- HBR-E-SWM-99-M: 99" –101"

B: Rack Height 20.50"

C: Crossbar Spacing 6'–8'

D: Rack Length..... 110" –134"

Compatible Accessories Available

(Sold Separately)

- Retractable Ratchet Tie-Down.....[ACC-8000](#)
- Conduit Carriers.....[CON Series](#)
- WorkPro LED Lighting.....[LED Series](#)
- Systems and Safety Components[RVS Series](#)
- Safety monitoring.....[DS2 Series](#)

