

## HRR3-E-UM3-M

### Utility Direct Mount Series

*HRR3-E-UM-90-M configuration shown for illustrative purposes*

#### Module Assemblies:

A: Mounting System .....[FBM-1024-BLK](#)

B: Rotation Drive Shaft Assembly (LH) .....[FEA-0020](#)

C: Slide Rotation Assembly (LH) .....[FEA-0004](#)

D: Mid Crossbar Kit Sizes per Rack Configuration:  
HRR3-E-UM3-72-M:..... [CBR-0008](#)  
HRR3-E-UM3-78-M:..... [CBR-0017](#)  
HRR3-E-UM3-84-M:..... [CBR-0019](#)  
HRR3-E-UM3-90-M:..... [CBR-0021](#)  
HRR3-E-UM3-99-M:..... [CBR-0023](#)

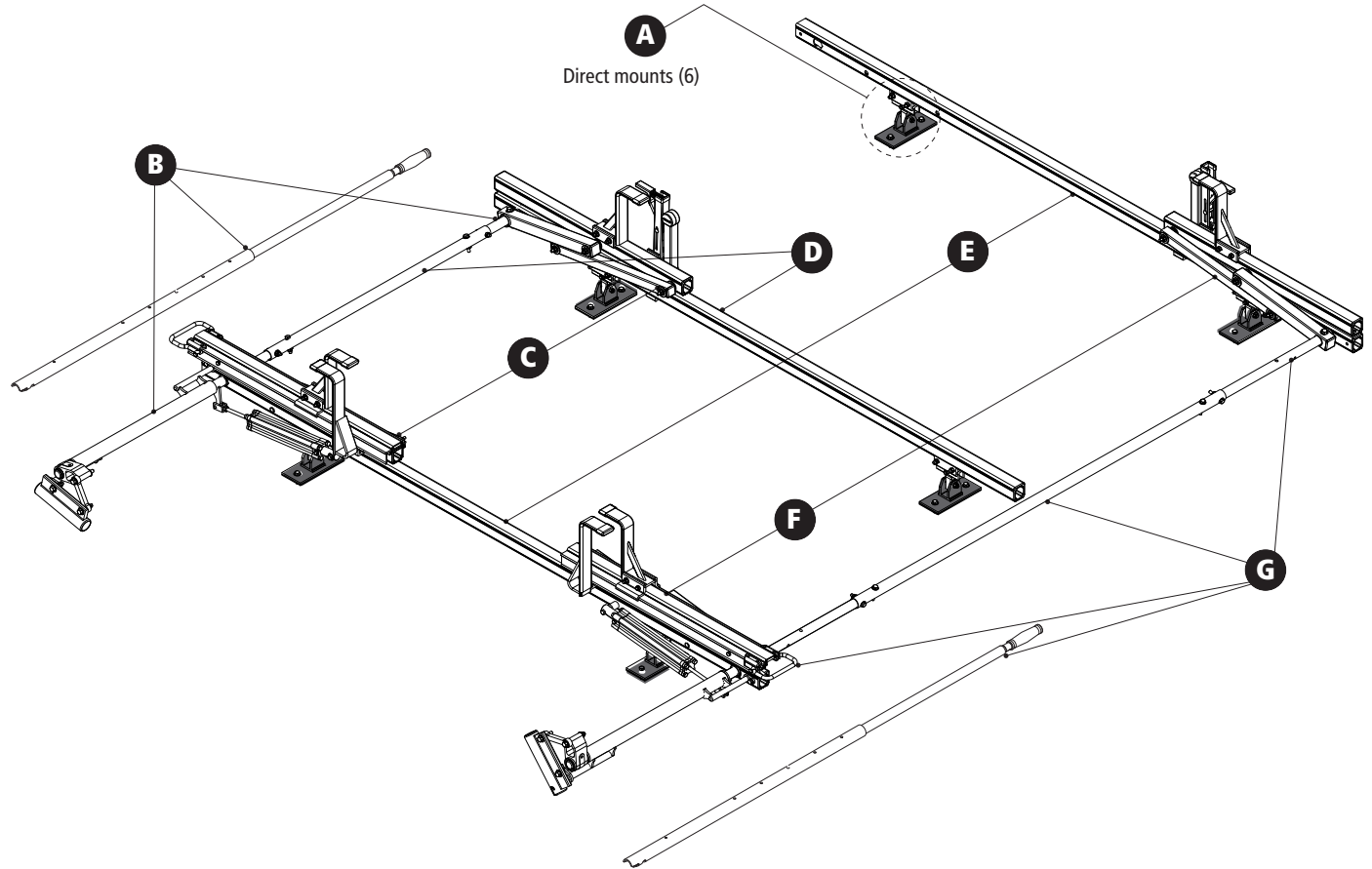
E: Crossbar Assembly Sizes per Rack Configuration:  
HRR3-E-UM3-72-M:..... [CBR-0007](#)  
HRR3-E-UM3-78-M:..... [CBR-0005](#)  
HRR3-E-UM3-84-M:..... [CBR-0016](#)  
HRR3-E-UM3-90-M:..... [CBR-0018](#)  
HRR3-E-UM3-99-M:..... [CBR-0020](#)

F: Slide Rotation Assembly (RH) .....[FEA-0003](#)

G: Rotation Drive Shaft Assembly (RH) .....[FEA-0019](#)

#### [Modular Assembly Manuals](#)

\*Callouts in this Configuration Overview indicate full module assemblies only. For details on individual parts, please refer to the linked Module Overviews.



## HRR3-E-UM3-M

### Utility Direct Mount Series

*HRR3-E-UM-90-M configuration shown for illustrative purposes*

#### Approximate dimensions as shown:

A: Total Rack Widths per Configuration:

HRR3-E-UM3-72-M:.....	78"
HRR3-E-UM3-78-M:.....	84"
HRR3-E-UM3-84-M:.....	90"
HRR3-E-UM3-90-M:.....	96"
HRR3-E-UM3-99-M:.....	102"

B: Rack Height ..... 18"

C: Crossbar Spacing (rear to center).....4'

D: Crossbar Spacing (center to front).....2'-4'

E: Total Crossbar Spacing.....6'-8'

F: Rack Length ..... 105"-129"

#### Compatible Accessories Available

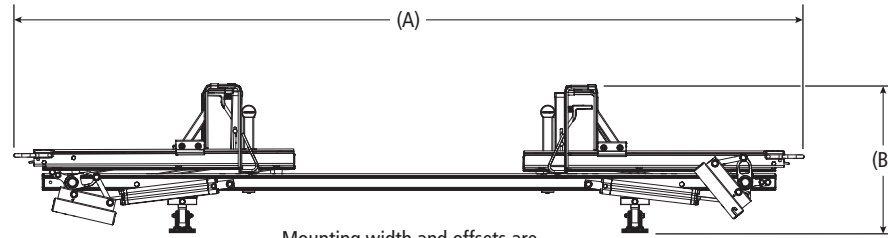
(Sold Separately)

Conduit Carriers.....[CON Series](#)

WorkPro LED Lighting.....[LED Series](#)

Systems and Safety Components.....[RVS Series](#)

Safety monitoring.....[DS2 Series](#)



Mounting width and offsets are determined by Vehicle Specifications

