

AR-2103

AluRack Side Rail Module, 112" Pair

Configuration as shown:

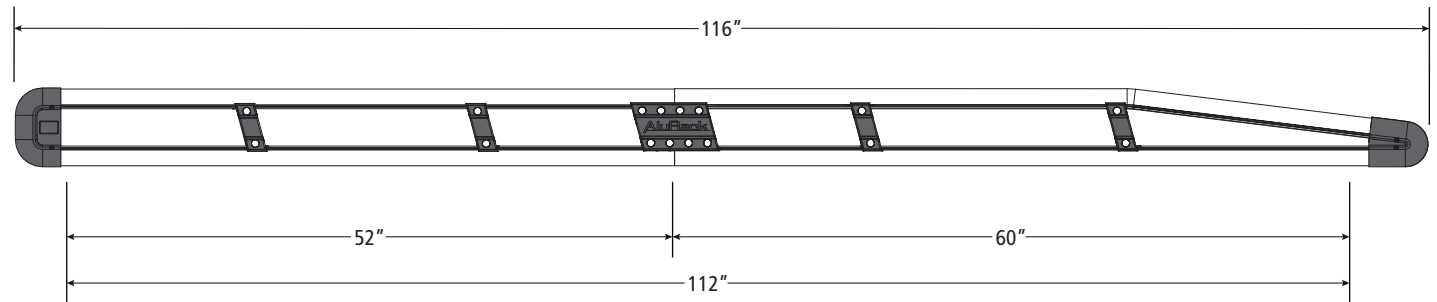
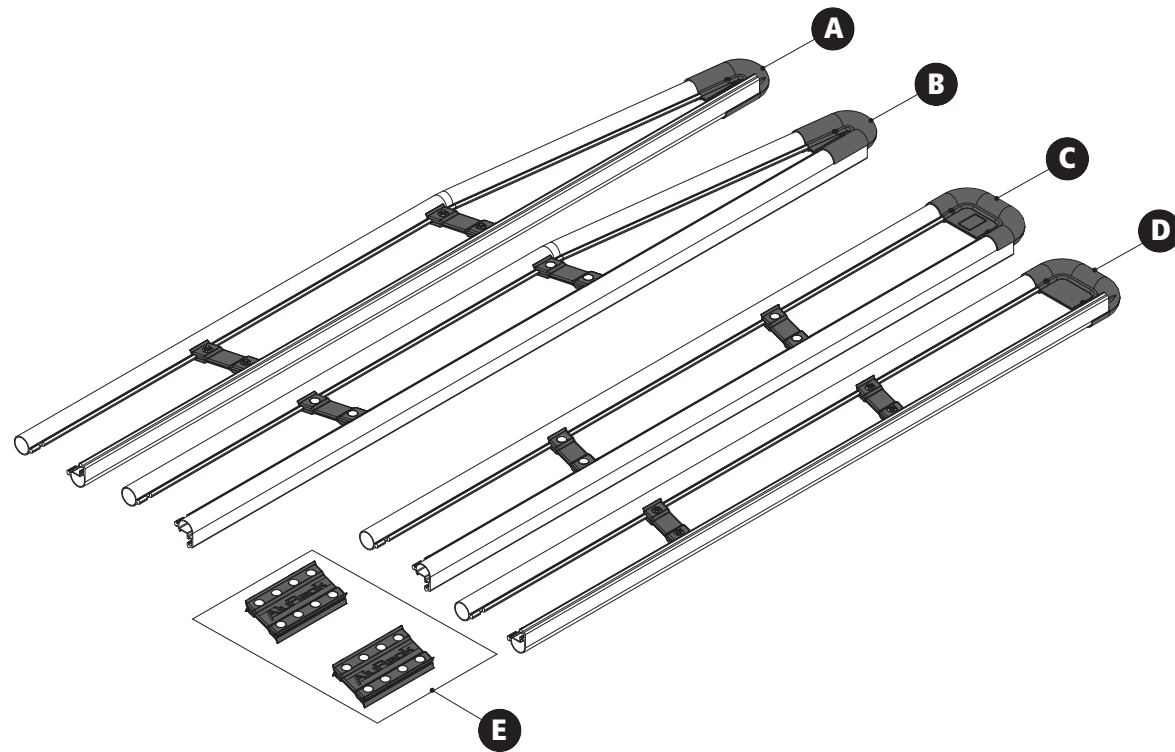
AR-2103 (Clear Anodized)
AR-2103-BLK (Black Anodized)

Weight: 23 lbs

- A:Front Left Hand Rail, 60"
- B: Front Right Hand Rail, 60"
- C: Rear Left Hand Rail, 52"
- D: Rear Right Hand Rail, 52"
- E: Connectors with Hardware, 6"

Approximate dimensions as shown:

- Overall Length..... 116"
- BTM Rail Length, Rear..... 52"
- BTM Rail Length, Front..... 60"
- Overall BTM Length..... 112"



Assembly Manual also available:

[AR-2100 Series](#)

USOV-AR2103-US01 Rev-A 0219