

CBA-3001

62" Crossbar Assembly Module

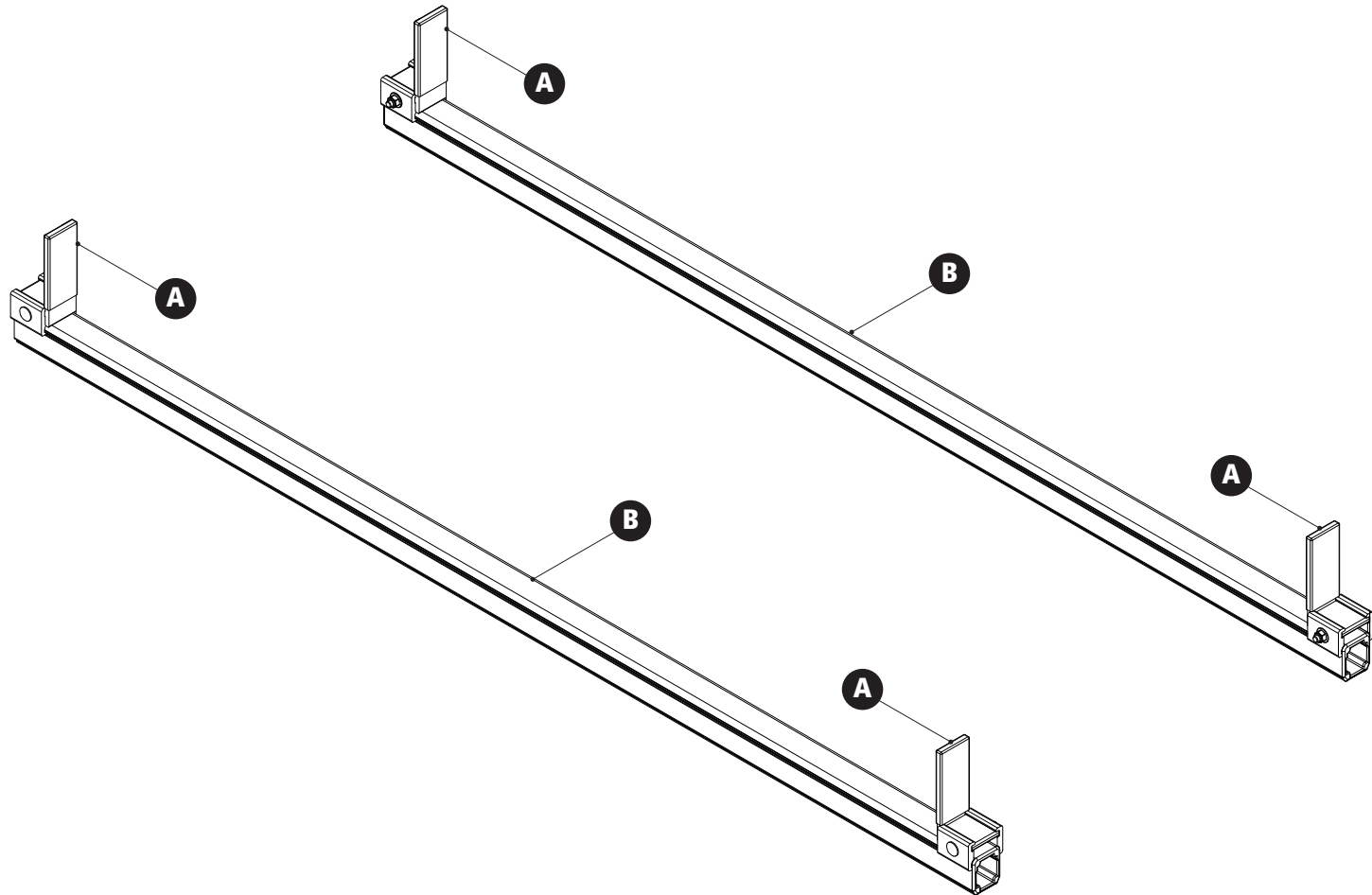
Dimensional Specifications on Page 2

Configuration as shown:

Base Left/Base Right
Two Crossbars, Powder Coat Finish
Weight: 14 lbs

A:BRT-8201 Ladder Stop
B: CBR-7100-62 Crossbar

[Modular Assembly Manuals](#)



**Note: Mounting Hardware, Drive Shafts,
and Connecting Bars are purchased separately.
For more information, please contact Sales & Support.*

CBA-3001

62" Crossbar Assembly Module

Approximate dimensions as shown:

A: Assembly Width.....	3"
B: Assembly Height.....	7"
C: Crossbar Length.....	62"

**Note: Mounting Hardware, Drive Shafts,
and Connecting Bars are purchased separately.
For more information, please contact Sales & Support.*

Assembly Manual also available:

[CBA-3001](#)

USOV-CBA3001-US01 Rev-B 0319

**Other Parts and Hardware ordered separately*

Typical Assembly with CBA-3001

