

CBA-3007

72" Crossbar Assembly Module

Dimensional Specifications on Page 2

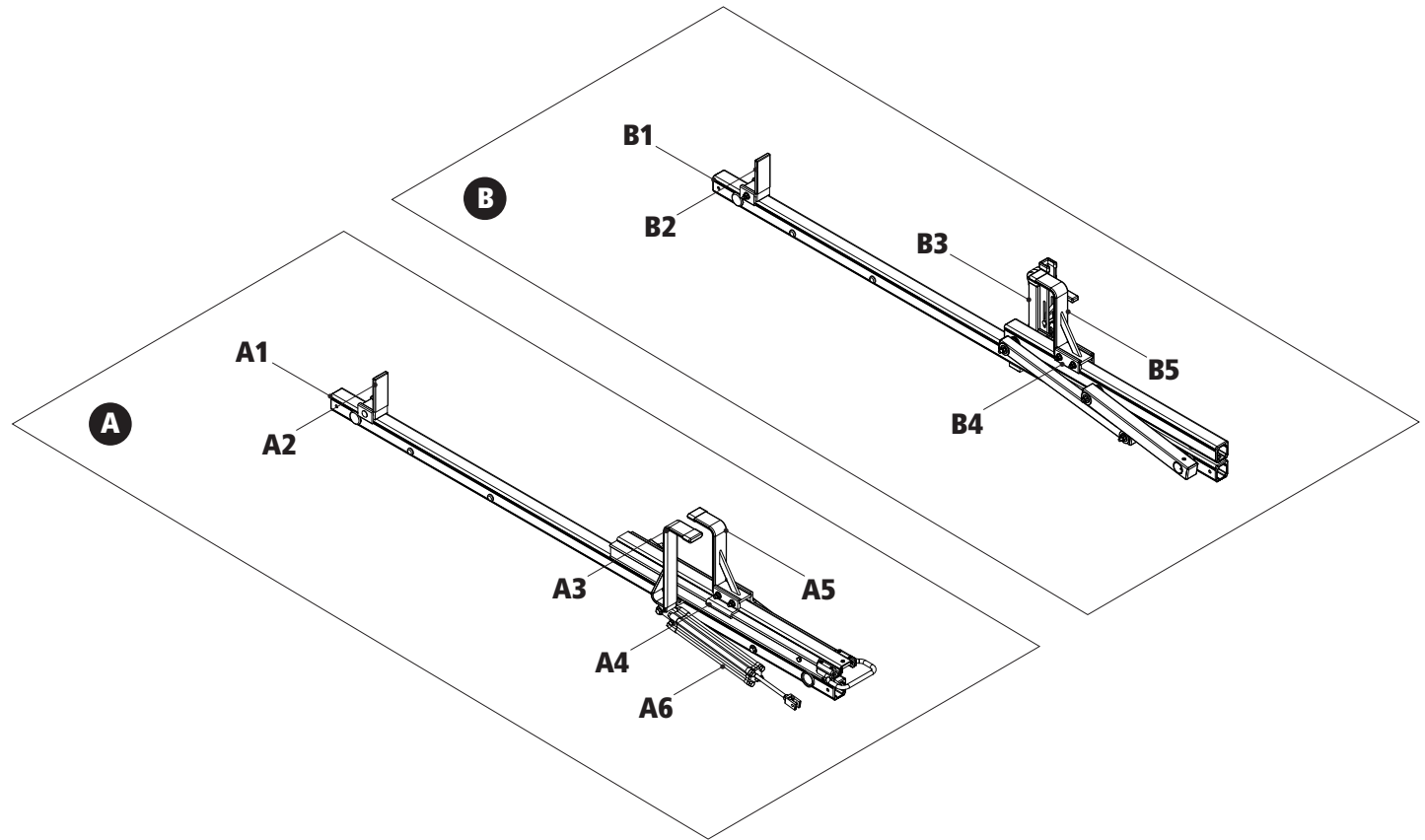
Configuration as shown:

Base Left/Slide Rotation Right
Two Crossbars, Powder Coat Finish
Weight: 39 lbs

- A: CB4-9303-72 RH Rear Slide Rotation
- A1:..... CBR-1311-72 Crossbar
- A2:.....BRT-8201 Ladder Stop
- A3:.....ELR-8160 Slide Upper Z-Post
- A4:.....ELR-7281 Slide Z-Post Bracket
- A5:.....ELR-7080 Z-Post
- A6:.....CYL-8801 Cylinder
- B:..... CBR-1311-72 RH Front Rotation
- B1:..... CBR-1311-72 Crossbar
- B2:.....BRT-8201 Ladder Stop
- B3:..... ELR-7073 L-Post
- B4:.....ELR-7282 Z-Post Bracket
- B5:.....ELR-7080 Z-Post
- C:Quick Start Guide (not shown)

[Modular Assembly Manuals](#)

**Note: Mounting Hardware, Drive Shafts, and Connecting Bars are purchased separately.
For more information, please contact Sales & Support.*



CBA-3007

72" Crossbar Assembly Module

Approximate dimensions as shown:

A: Assembly Width.....	76"
B: Assembly Height.....	13"
C: Crossbar Length.....	72"

*Note: Mounting Hardware, Drive Shafts, and Connecting Bars are purchased separately.
For more information, please contact Sales & Support.

Assembly Manual also available:

[CBA-3007](#)

USOV-CBA3007-US01 Rev-A 1118

*Other Parts and Hardware ordered separately

Typical Assembly with CBA-3007

