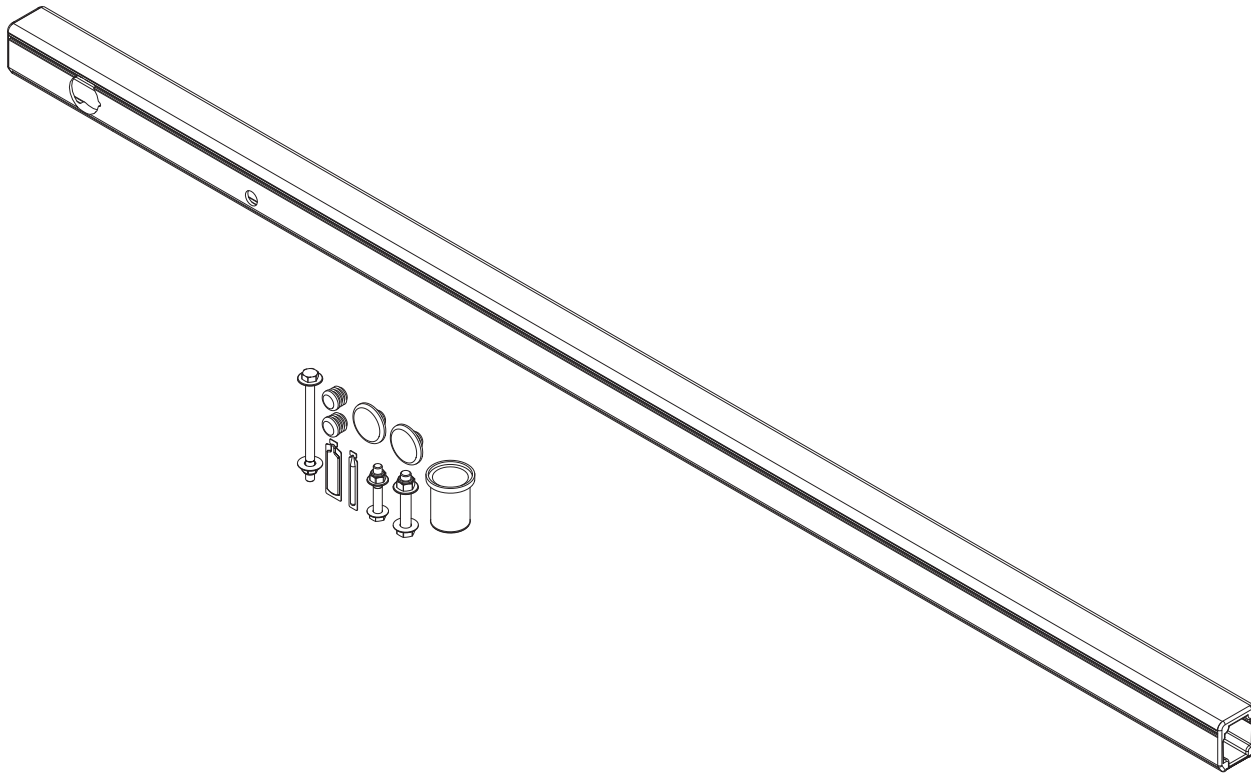


PRIME DESIGN™

A Safe Fleet Brand



CBR0002

LOW ROOF MID CROSSBAR KIT, 62"

PRIME DESIGN, A SAFE FLEET BRAND

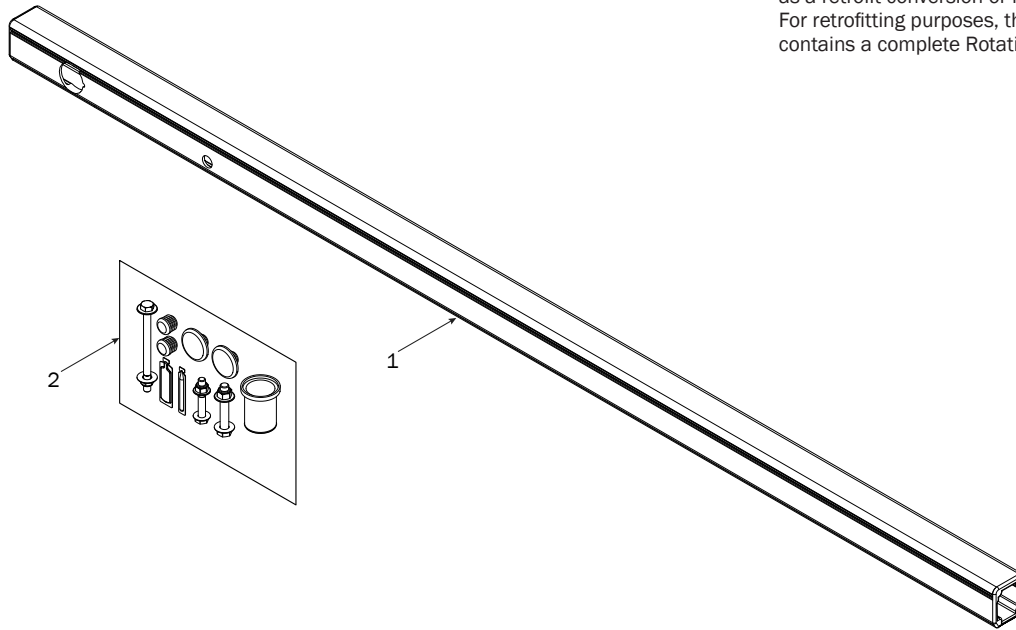
Address: 580 Opperman Drive, Eagan, MN 55123 • Toll Free: 1.8.PRIME.RACK

Fax: 651-552-1799 • Email: info@primedesign.net • Website: www.primedesign.net

CONTENTS OVERVIEW



NOTE: This Mid Crossbar can be installed as a retrofit conversion or new install. For retrofitting purposes, this modular kit contains a complete Rotation hardware kit.



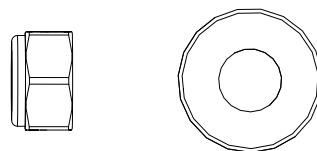
- 1—Crossbar..... (Qty 1)
Gen 4, Mid, 57.00", 62.00" Crossbar family



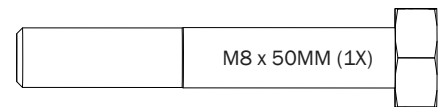
- 2—HKT-8407 (Qty 1)
Hardware Kit, Retrofit w/Caps

NOTE: This hardware kit contains additional parts not needed for a new installation or LH Clamp Down.

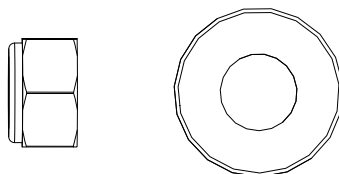
These additional parts are included for use in retrofitting a LH Rotation previously assembled onto the Front Crossbar.



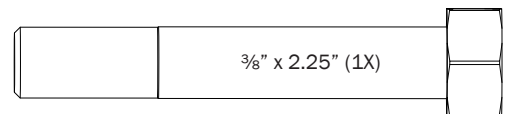
M8 Lock Nut (2X) 5/16" Flat Washer (2X)



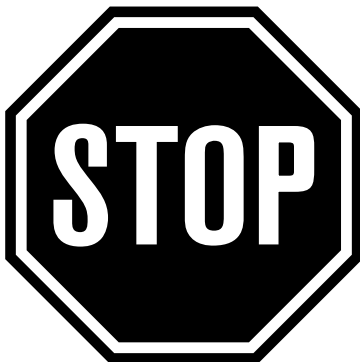
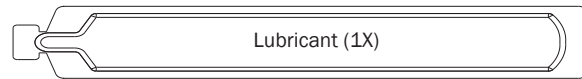
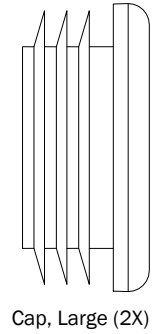
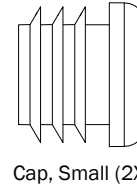
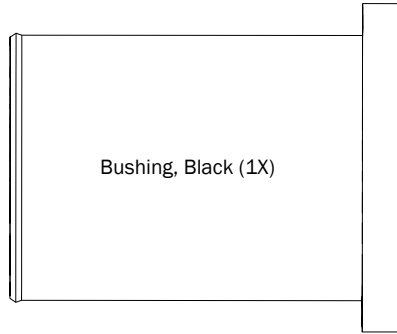
M8 x 50MM (1X)



3/8" Lock Nut (1X) 3/8" Flat Washer (4X)



3/8" x 2.25" (1X)



READ FIRST!

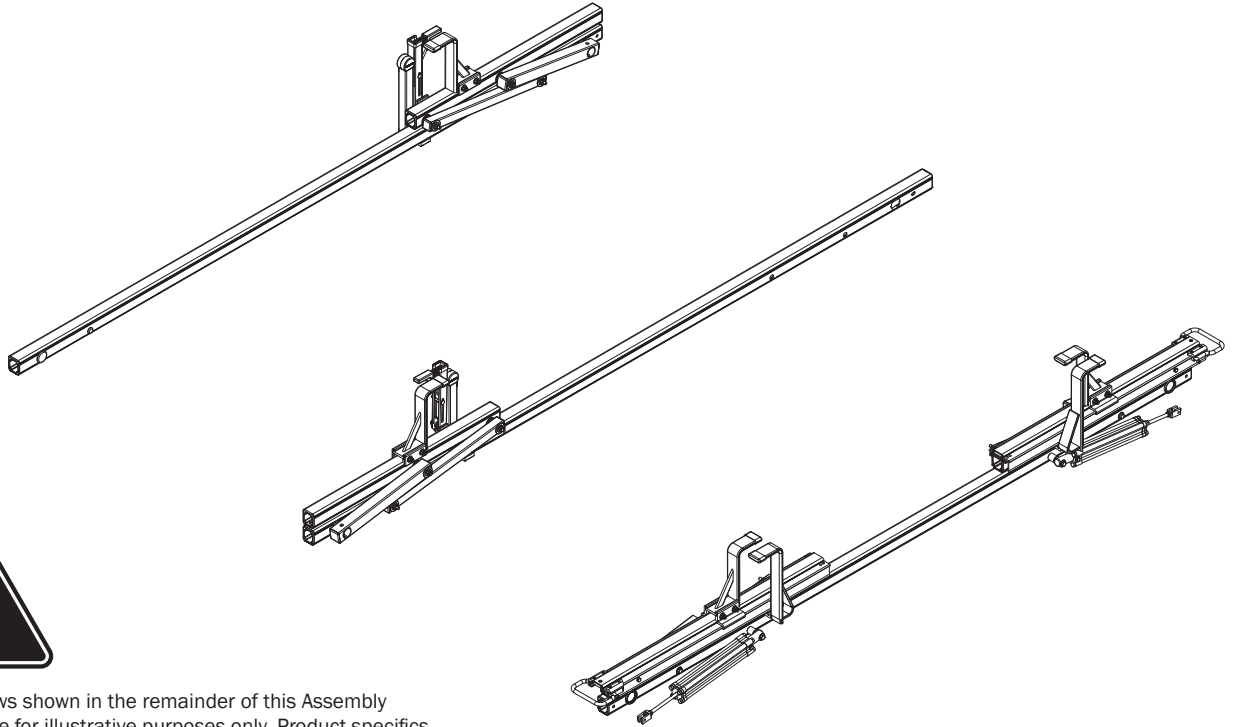
Do not mount the Crossbars or Mounting Brackets to an FBM system at this time.

Refer to the respective FEA Assembly Manual(s) included with your chosen rack configuration features. Depending upon the features chosen, you may need to perform a complete feature assembly onto the Crossbars prior to mounting as noted in that feature's Assembly Manual.

WARNING: Failure to position the Crossbars as shown in your FBM Assembly Manual may result in damage to the sliding and/or swinging doors, and/or ladder rack.

INSTALLER NOTE: Base, Clamp Down, or Rotation features are not included in this CBR kit, and must be purchased separately. To purchase applicable features and accessories, please contact your authorized distributor, or a Prime Design Sales & Service Representative.

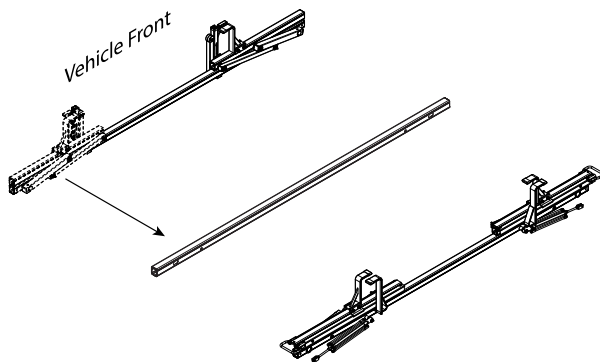
**MODIFICATION: 2 TO 3 CROSSBAR
CONVERSION SEQUENCE**



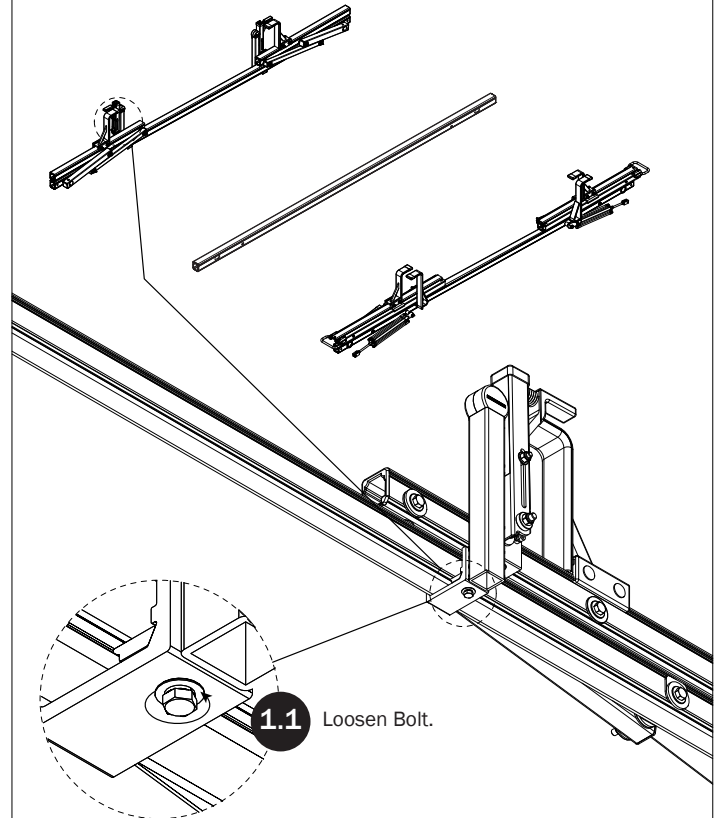
NOTE: Views shown in the remainder of this Assembly Manual are for illustrative purposes only. Product specifics may vary, but will not affect the sequence.

SEQUENCE OVERVIEW

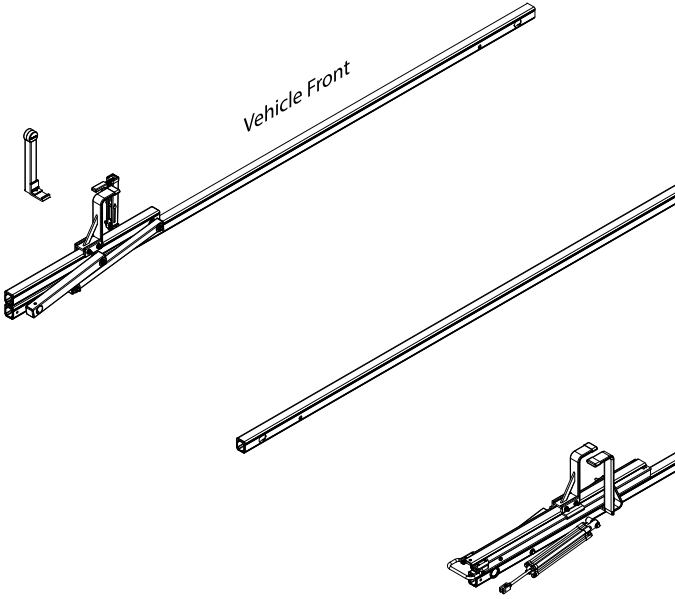
NOTE: Crossbar conversions are most commonly performed on the street side. If you require the conversion on the curb side, all instructions remain the same.



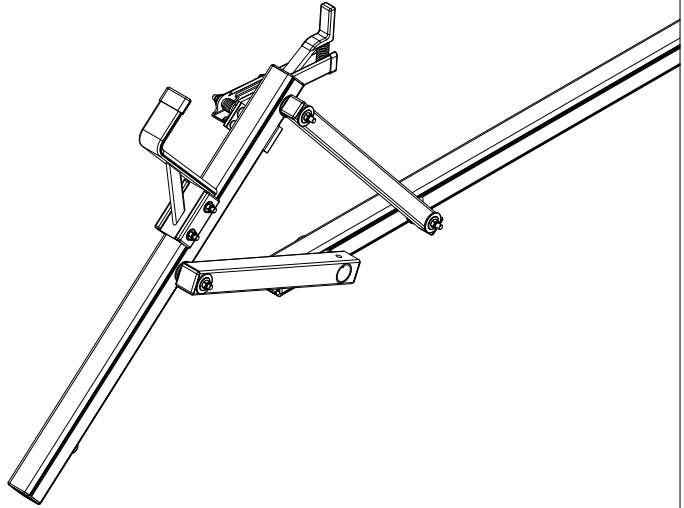
UNINSTALLING FRONT ROTATION



1.2 Remove and save the L-Post.

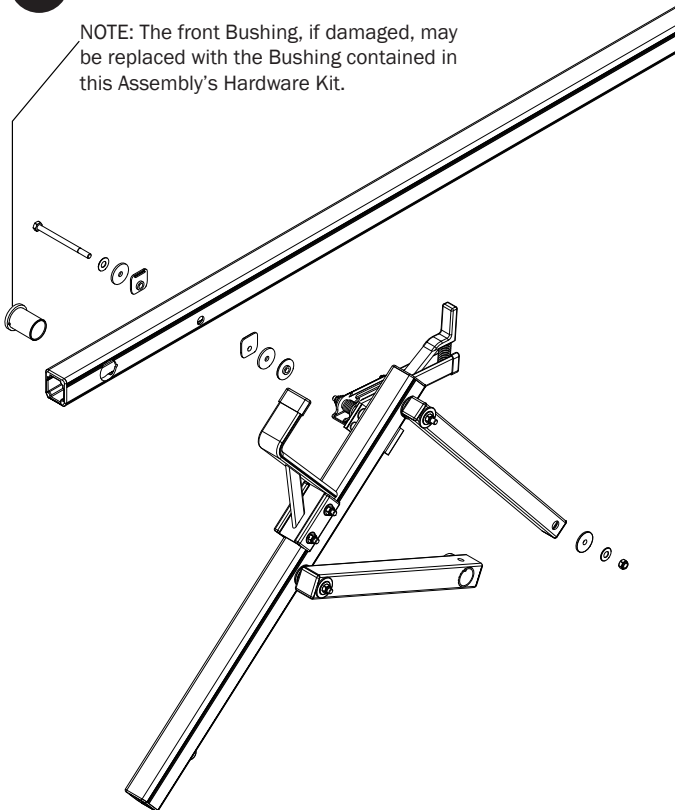


1.3 Open the Rotation as shown.



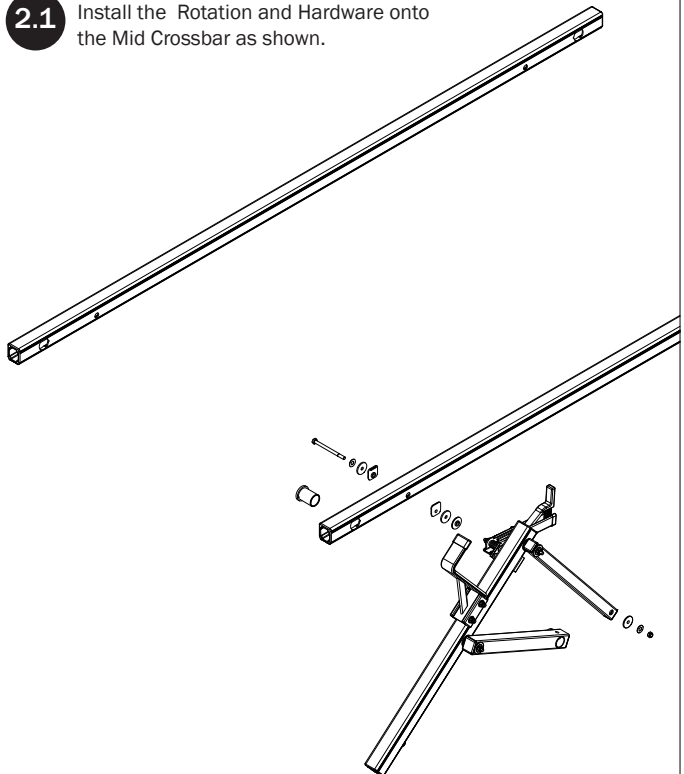
1.4 Remove and save front Rotation and Hardware as shown.

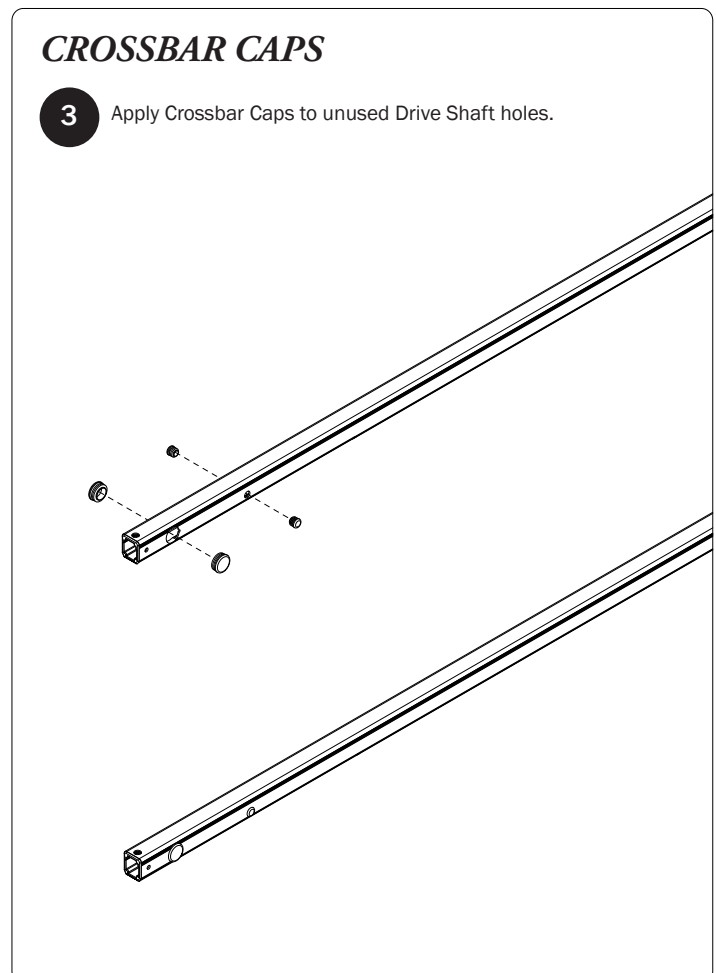
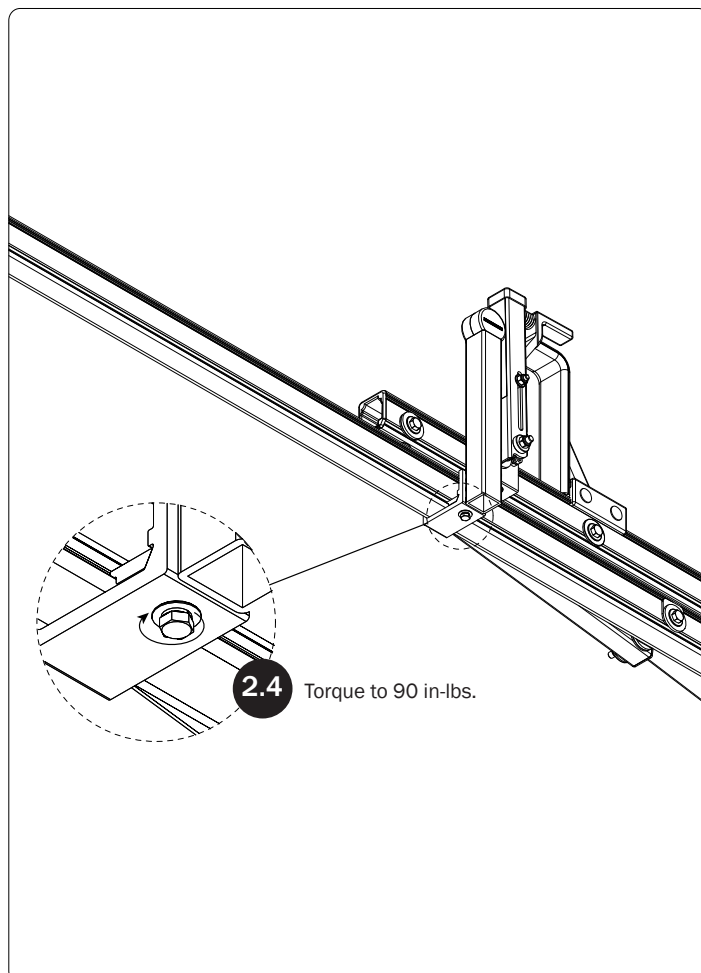
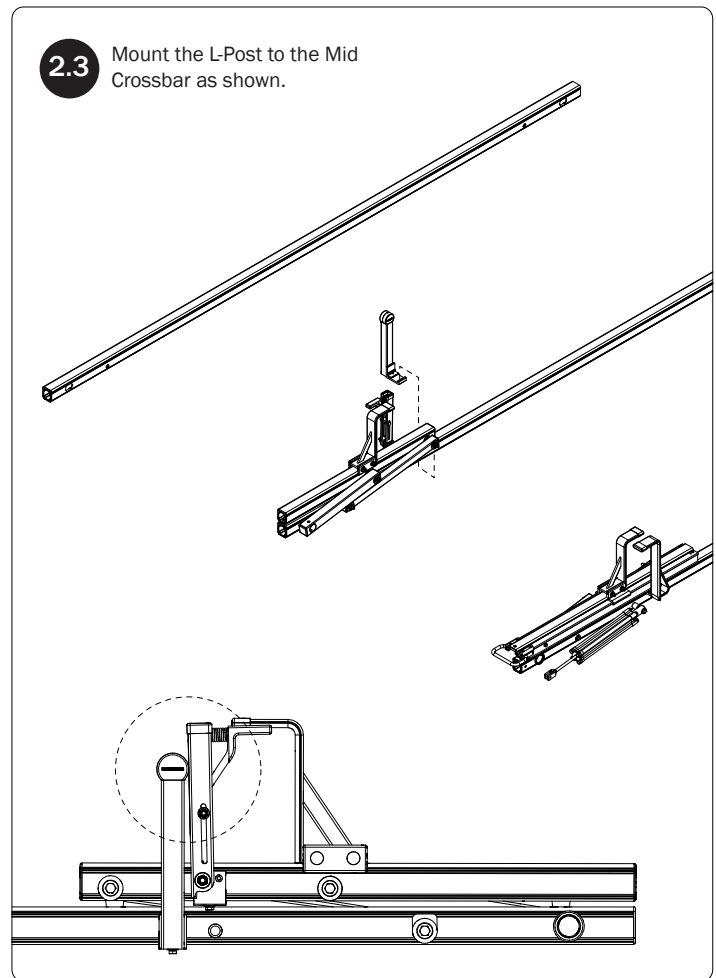
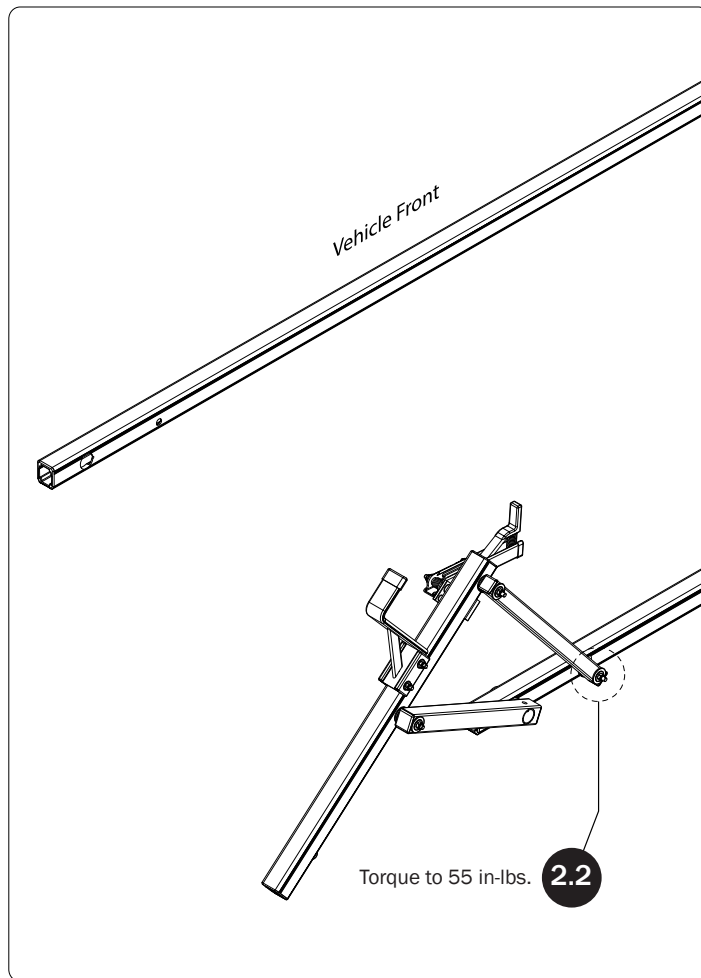
NOTE: The front Bushing, if damaged, may be replaced with the Bushing contained in this Assembly's Hardware Kit.



INSTALLING MID ROTATION SEE QUICK START GUIDE FOR ADJUSTMENTS

2.1 Install the Rotation and Hardware onto the Mid Crossbar as shown.





CROSSBAR CAPS

Page Intentionally Left Blank

