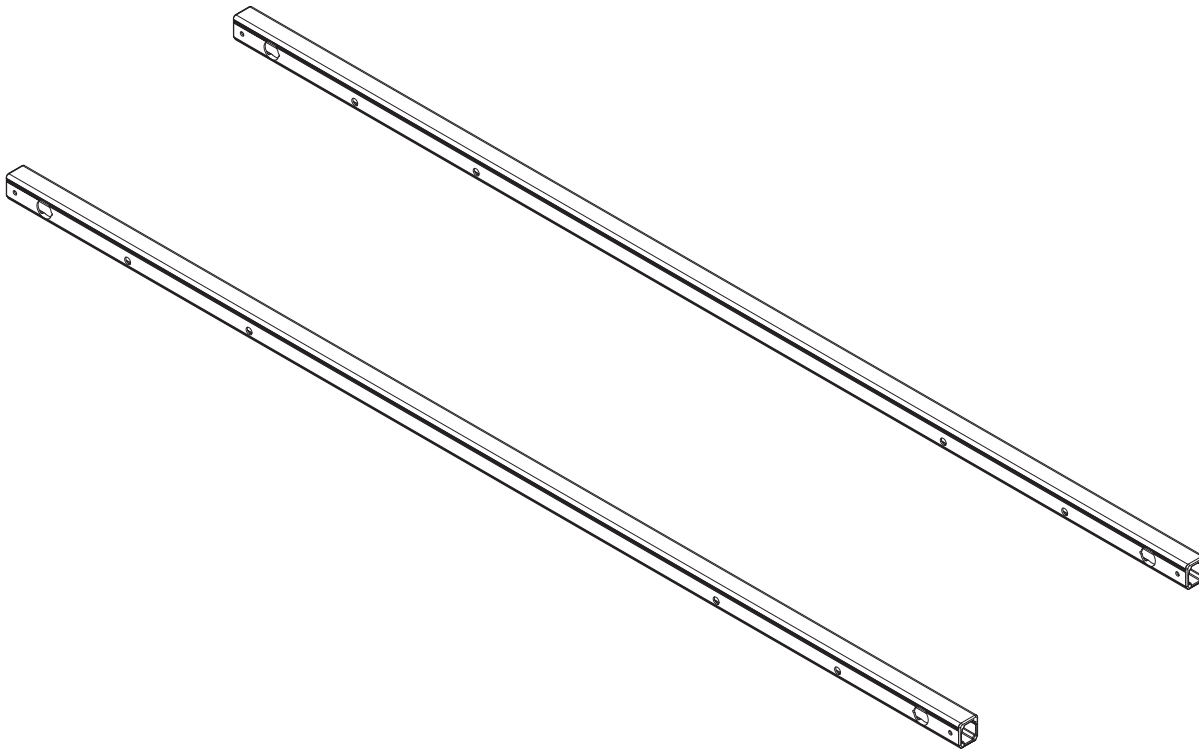


PRIME DESIGN™

A Safe Fleet Brand



CROSSBAR MODULE, 90" FAMILY

PRIME DESIGN, A SAFE FLEET BRAND

Address: 580 Opperman Drive, Eagan, MN 55123 • Toll Free: 1.8.PRIME.RACK

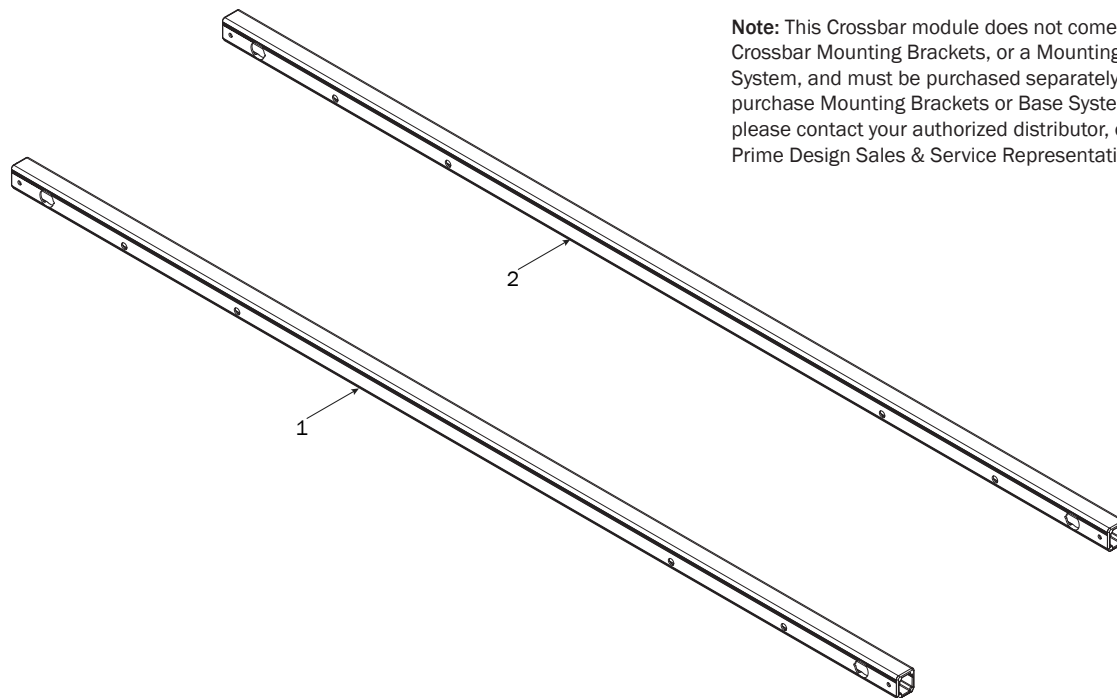
Fax: 651-552-1799 • Email: info@primedesign.net • Website: www.primedesign.net

CBR 0018

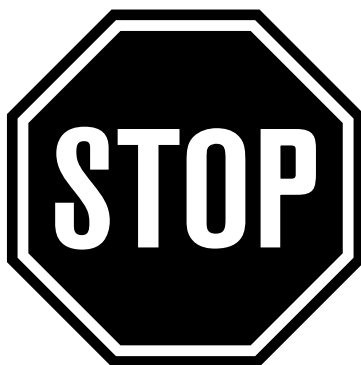
CONTENTS OVERVIEW



Note: This Crossbar module does not come with Crossbar Mounting Brackets, or a Mounting Base System, and must be purchased separately. To purchase Mounting Brackets or Base System, please contact your authorized distributor, or a Prime Design Sales & Service Representative.



- 1—Crossbar..... (Qty 2)
Gen 4, Locking, 90.00”
High Roof Rear/Low Roof Front



READ FIRST!

Do not mount the Crossbars to an FBM system at this time.

Refer to the respective FEA Assembly Manual(s) included with your chosen rack configuration features. Depending upon the features chosen, you may need to perform a complete feature assembly onto the Crossbars prior to mounting as noted in that feature’s Assembly Manual.

WARNING: Failure to position the Crossbars as shown in your FBM Assembly Manual may result in damage to the sliding and/or swinging doors, and/or ladder rack.

INSTALLER NOTE: Base, Clamp Down, or Rotation features are not included in this CBR kit, and must be purchased separately. To purchase applicable features and accessories, please contact your authorized distributor, or a Prime Design Sales & Service Representative.

USAM-CBR0018-US01 Rev-B 0220