

FBM-1008

2007+ Sprinter Base Mount Module

Dimensional Specifications on Pages 2–3

Configuration as shown:

Three Crossbar Mountings, Powder Coat Finish
Kit Weight: 19 lbs

FBM-1008-BLK (Black)

- A: CHL-1026-BLK 66" Channel Pair x1
- B: CHL-1042-BLK 42" Channel Pair x1
- C: HKT-8047 Hardware, 3 Crossbars x1

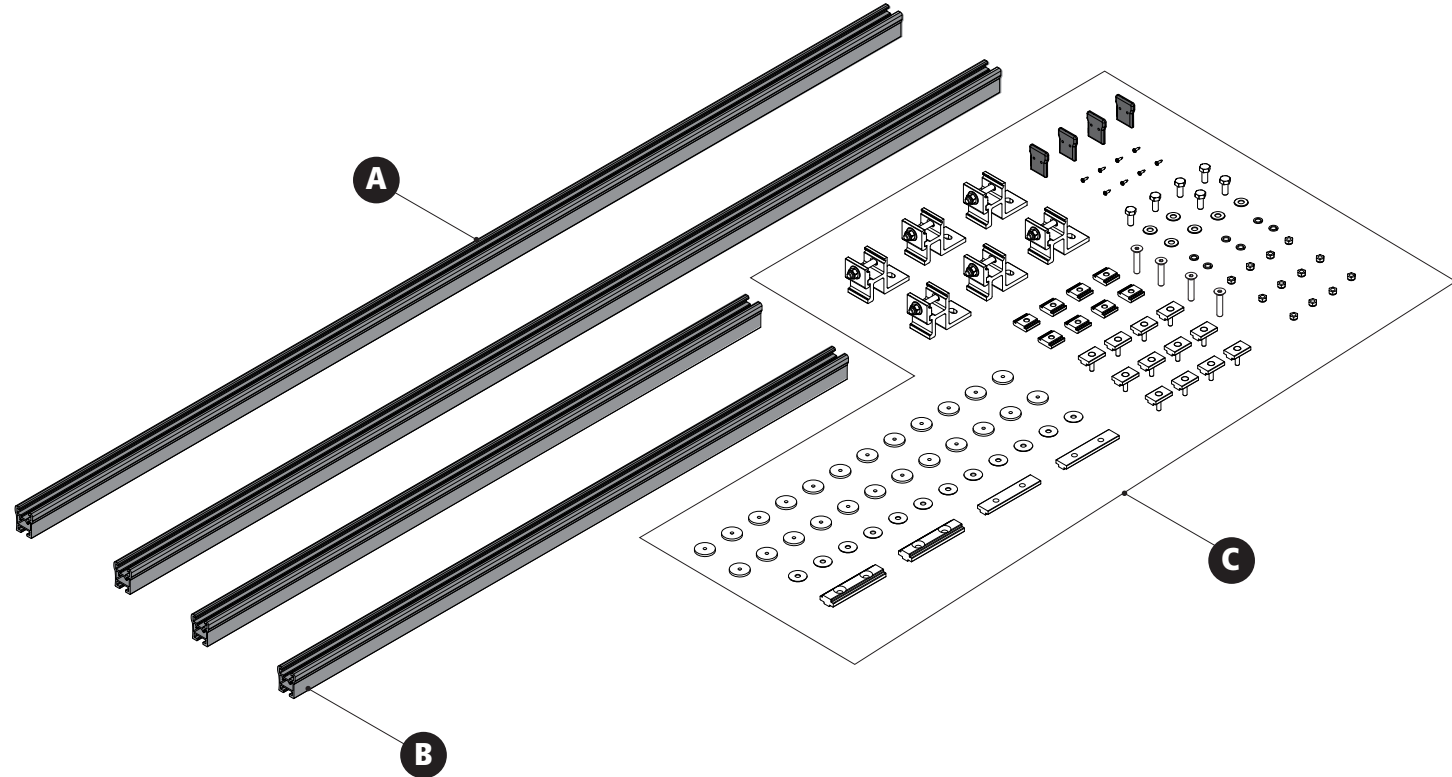
FBM-1008

- A: CHL-1026 66" Channel Pair x1
- B: CHL-1042 42" Channel Pair x1
- C: HKT-8047 Hardware, 3 Crossbars x1

[Modular Assembly Manuals](#)

**Note: This Overview contains information covering two and three Crossbar configurations. If your model is a two Crossbar configuration, disregard all Center Crossbar Hardware and dimensions.*

**Three Crossbar Mountings; Black and White Available*



FBM-1008

2007+ Sprinter Base Mount Module

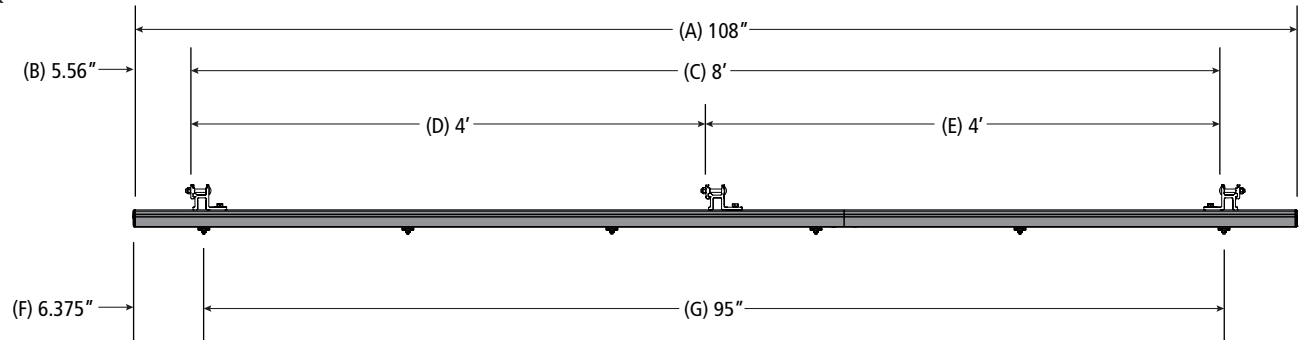
Approximate dimensions as shown:

ErgoRack - All Wheelbases

A: Rack Length.....	108"
B: Crossbar Mount Offset (Rear)	6.375"
C: Crossbar Spacing R/F.....	8'
D: Crossbar Spacing R/C	4'
E: Crossbar Spacing C/F.....	4'
F: Channel Mount Offset (Rear)	6.375"
G: Mount Spacing R/F (Overall).....	95"



*ErgoRack



Assembly Manual also available:

[FBM-1008-BLK](#)

[FBM-1008](#)

USOV-FBM1008BLK-US01 Rev-B 0720

FBM-1008

2007+ Sprinter Base Mount Module

Approximate dimensions as shown:

AluRack L2H1 – 144" Wheelbase

- A: Rack Length..... 115"
- B: Crossbar Spacing R/F.....8.875'
- C: Crossbar Spacing R/C.....4.375'
- D: Crossbar Spacing C/F.....4.50'
- E: Channel Mount Offset (Rear)..... 8.38"
- F: Mount Spacing R/F (Overall).....95"

AluRack L2H2 – 144" Wheelbase

- A: Rack Length..... 108"
- B: Crossbar Mount Offset (Rear)..... 3.88"
- C: Crossbar Spacing R/F.....7.75'
- D: Crossbar Spacing R/C.....3.875'
- E: Crossbar Spacing C/F.....3.875'
- F: Channel Mount Offset (Rear)..... 11.73"
- G: Mount Spacing R/F (Overall).....95"

AluRack L3/L4 – 170"/170" Ext. Wheelbase

- A: Rack Length..... 134"
- B: Crossbar Spacing R/F..... 10'
- C: Crossbar Spacing R/C.....5'
- D: Crossbar Spacing C/F.....5'
- E: Channel Mount Offset (Rear)..... 8.38"
- F: Mount Spacing R/F (Overall)..... 114"

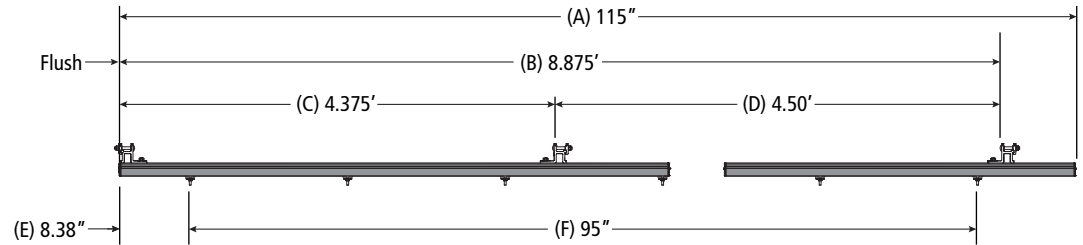
Assembly Manual also available:

[FBM-1008-BLK](#)

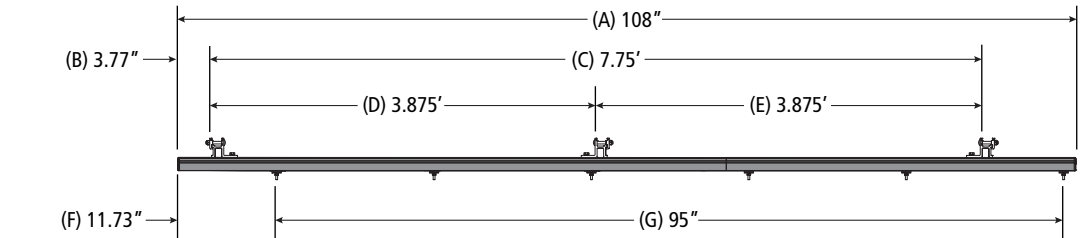
[FBM-1008](#)



*AluRack
L2H1



*AluRack
L2H2



*AluRack
L3/L4

