

## FBM-1017

### 2015+ Ford Transit Low/Mid/High Roof Base Mount Module

Dimensional Specifications on Pages 2, 3, & 4

#### Configuration as shown:

Three Crossbar Mounting, Powder Coat finish  
Rack Weight (empty): 24.50 lbs

#### FBM-1017-BLK (Black)

A: ..... CHL-9307-BLK 23" Channel Pair x1  
B: ..... CHL-9304-BLK 74" Channel Pair x1  
C: ..... BRT-1229 Mounting Bracket x10  
D: ..... HKT-8046 Hardware, 3 Crossbar x1

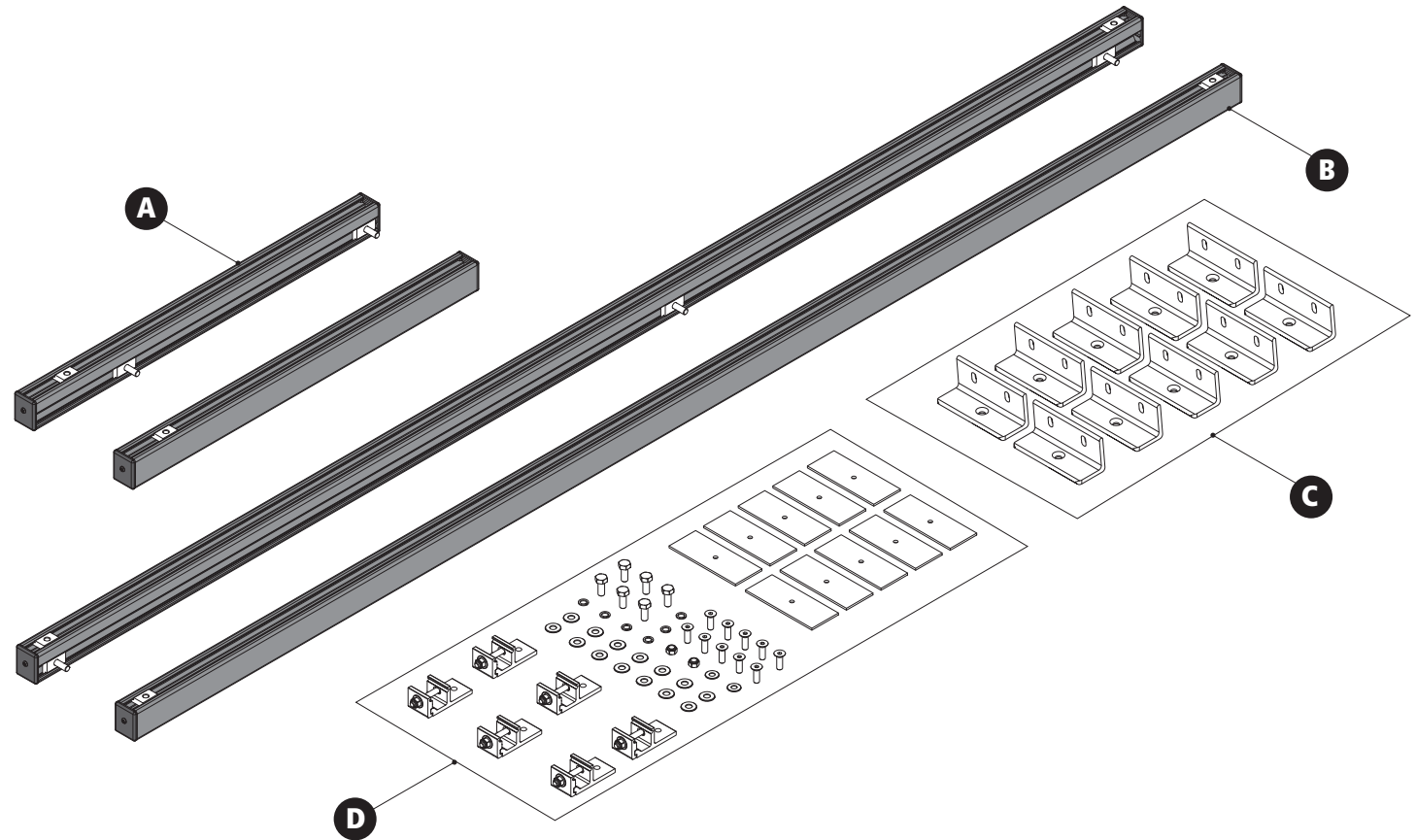
#### FBM-1017 (White)

A: ..... CHL-9307 23" Channel Pair x1  
B: ..... CHL-9304 74" Channel Pair x1  
C: ..... BRT-1229 Mounting Bracket x10  
D: ..... HKT-8046 Hardware, 3 Crossbar x1

[Modular Assembly Manuals](#)

*\*Note: This Overview contains information covering two and three Crossbar configurations. If your model is a two Crossbar configuration, disregard all Center Crossbar Hardware and dimensions.*

*\*Three Crossbar Mountings; Black and White Available*



## FBM-1017

2015+ Ford Transit  
Low/Mid/High Roof  
MWB Base Mount Module

Approximate dimensions as shown:

### Universal Dimensions

- A: Base Mount Length ..... 74.75"
- B: Channel Mount Spacing R/C ..... 39"
- C: Channel Mount Spacing C/F ..... 29"
- D: Channel Mount Spacing R/F ..... 68"

### ErgoRack

- E: Crossbar Mount Spacing R/F ..... 6'
- F: Crossbar Mount Spacing R/C ..... 4'
- G: Crossbar Mount Spacing C/F ..... 2'

### AluRack H1

- E: Crossbar Mount Spacing R/F ..... 5.75'
- F: Crossbar Mount Spacing R/C ..... 2.875'
- G: Crossbar Mount Spacing C/F ..... 2.875'

### AluRack H2

- E: Crossbar Mount Spacing R/F ..... 5.95'
- F: Crossbar Mount Spacing R/C ..... 2.375'
- G: Crossbar Mount Spacing C/F ..... 3.575'

Assembly Manual also available:

[FBM-1017-BLK](#)

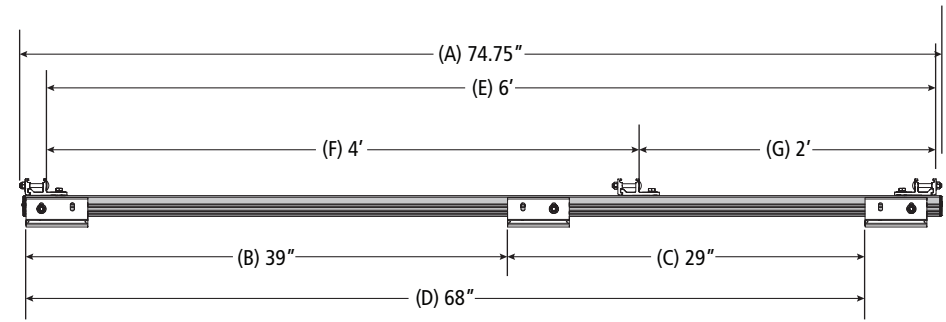
[FBM-1017](#)

USOV-FBM1017-US01 Rev-B 0820

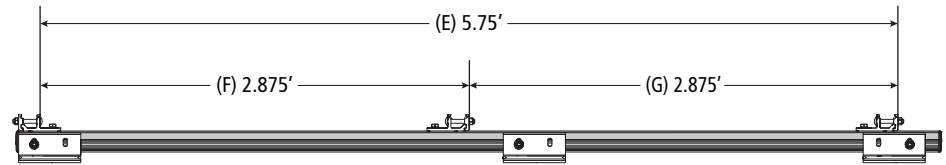
\*Dimensions shown for MWB models (130")



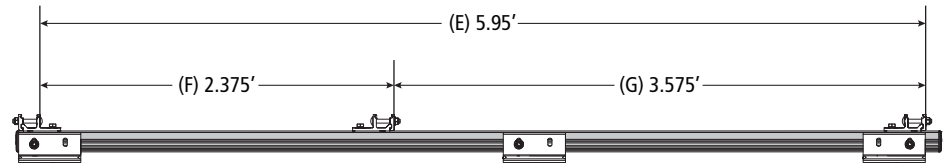
\*ErgoRack



\*AluRack H1



\*AluRack H2



## FBM-1017

2015+ Ford Transit  
Low/Mid/High Roof  
LWB Base Mount Module

Approximate dimensions as shown:

### Universal Dimensions

A: Base Mount Length.....	98.65"
B: Channel Mount Spacing R/RC.....	20.50"
C: Channel Mount Spacing RC/FC.....	39"
D: Channel Mount Spacing FC/F.....	29"
E: Channel Mount Spacing R/F.....	91.50"

### ErgoRack

F: Crossbar Mount Spacing R/F.....	8'
G: Crossbar Mount Spacing R/C.....	4'
H: Crossbar Mount Spacing C/F.....	4'

### AluRack H1

F: Crossbar Mount Spacing R/F.....	8'
G: Crossbar Mount Spacing R/C.....	4'
H: Crossbar Mount Spacing C/F.....	4'

### AluRack H2/H3

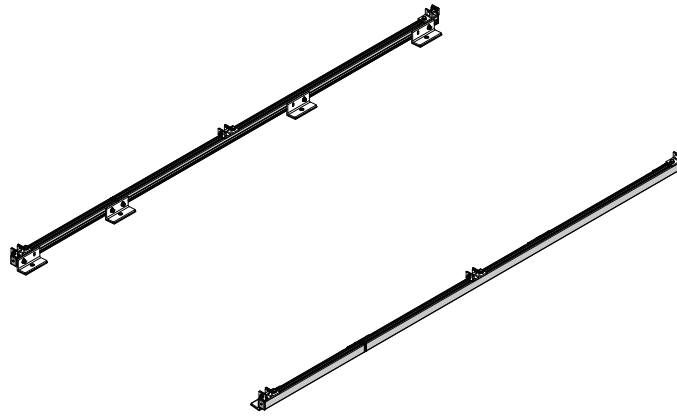
F: Crossbar Mount Spacing R/F.....	8'
G: Crossbar Mount Spacing R/C.....	4'
H: Crossbar Mount Spacing C/F.....	4'

Assembly Manual also available:

[FBM-1017-BLK](#)

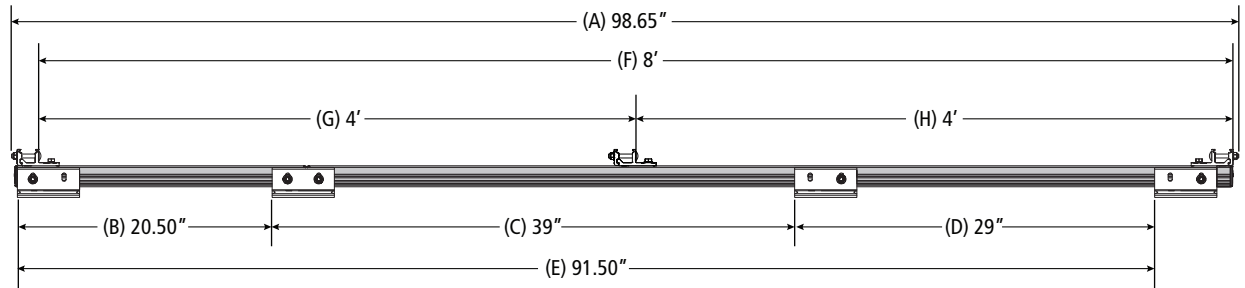
[FBM-1017](#)

USOV-FBM1017-US01 Rev-B 0820

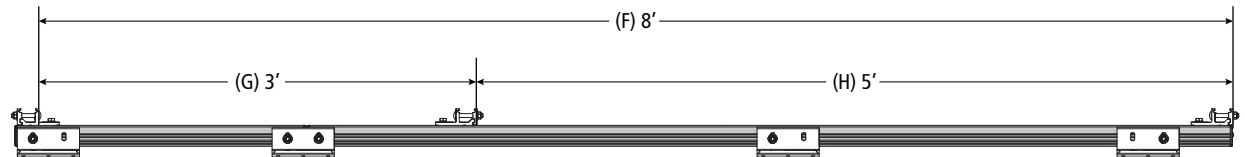


\*Dimensions shown for LWB models (148")

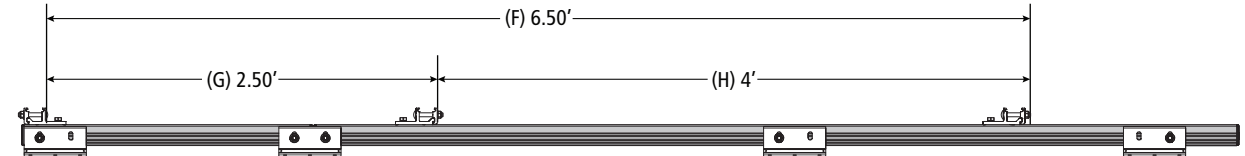
### \*ErgoRack



### \*AluRack H1



### \*AluRack H2/H3



## FBM-1017

2015+ Ford Transit  
Mid/High Roof  
LWBEL Base Mount Module

Approximate dimensions as shown:

### Universal Dimensions

A: Base Mount Length.....	116"
B: Channel Spacing .....	18"
C: Channel Mount Spacing R/RC.....	16"
D: Channel Mount Spacing RC/C .....	20.50"
E: Channel Mount Spacing C/FC .....	39"
F: Channel Mount Spacing FC/F.....	29"
G: Channel Mount Spacing R/F .....	104.50"

### ErgoRack

H: Crossbar Mount Spacing R/F .....	8'
I: Crossbar Mount Spacing R/C .....	4'
J: Crossbar Mount Spacing C/F .....	4'

### AluRack

H: Crossbar Mount Spacing R/F .....	8.25'
I: Crossbar Mount Spacing R/C .....	5'
J: Crossbar Mount Spacing C/F .....	3.25'

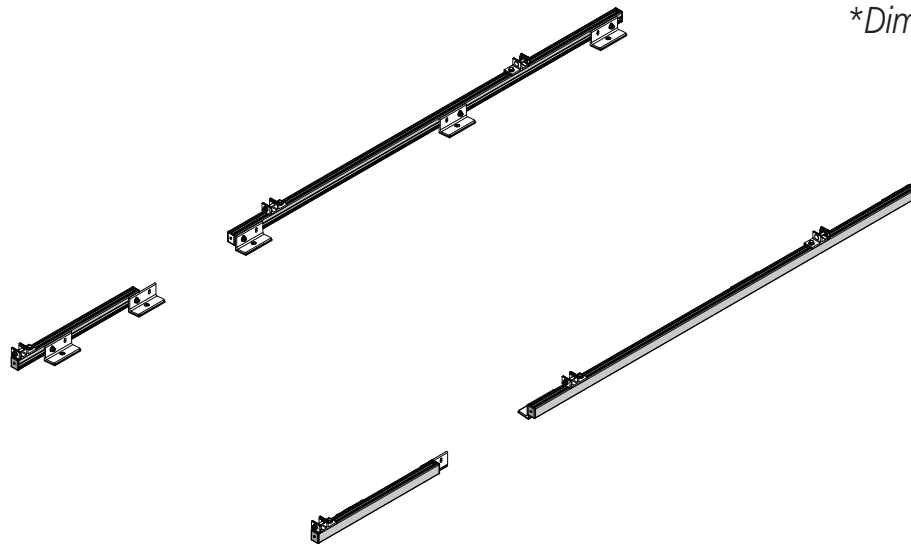
Assembly Manual also available:

[FBM-1017-BLK](#)

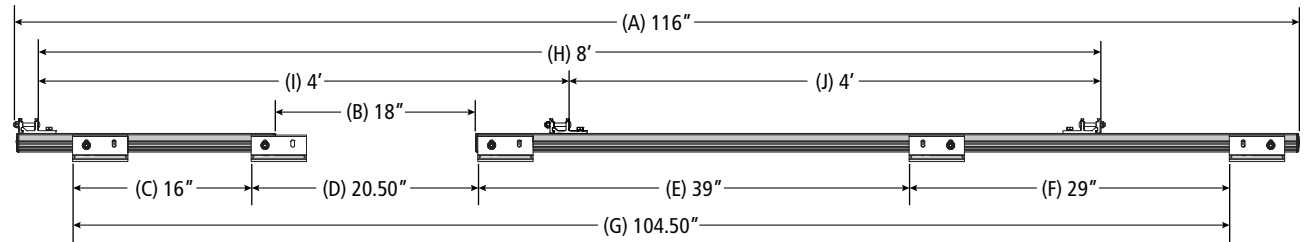
[FBM-1017](#)

USOV-FBM1017-US01 Rev-B 0820

\*Dimensions shown for LWBEL models (148")



### \*ErgoRack



### \*AluRack

