

FEA-0004

Slide Rotation Kit

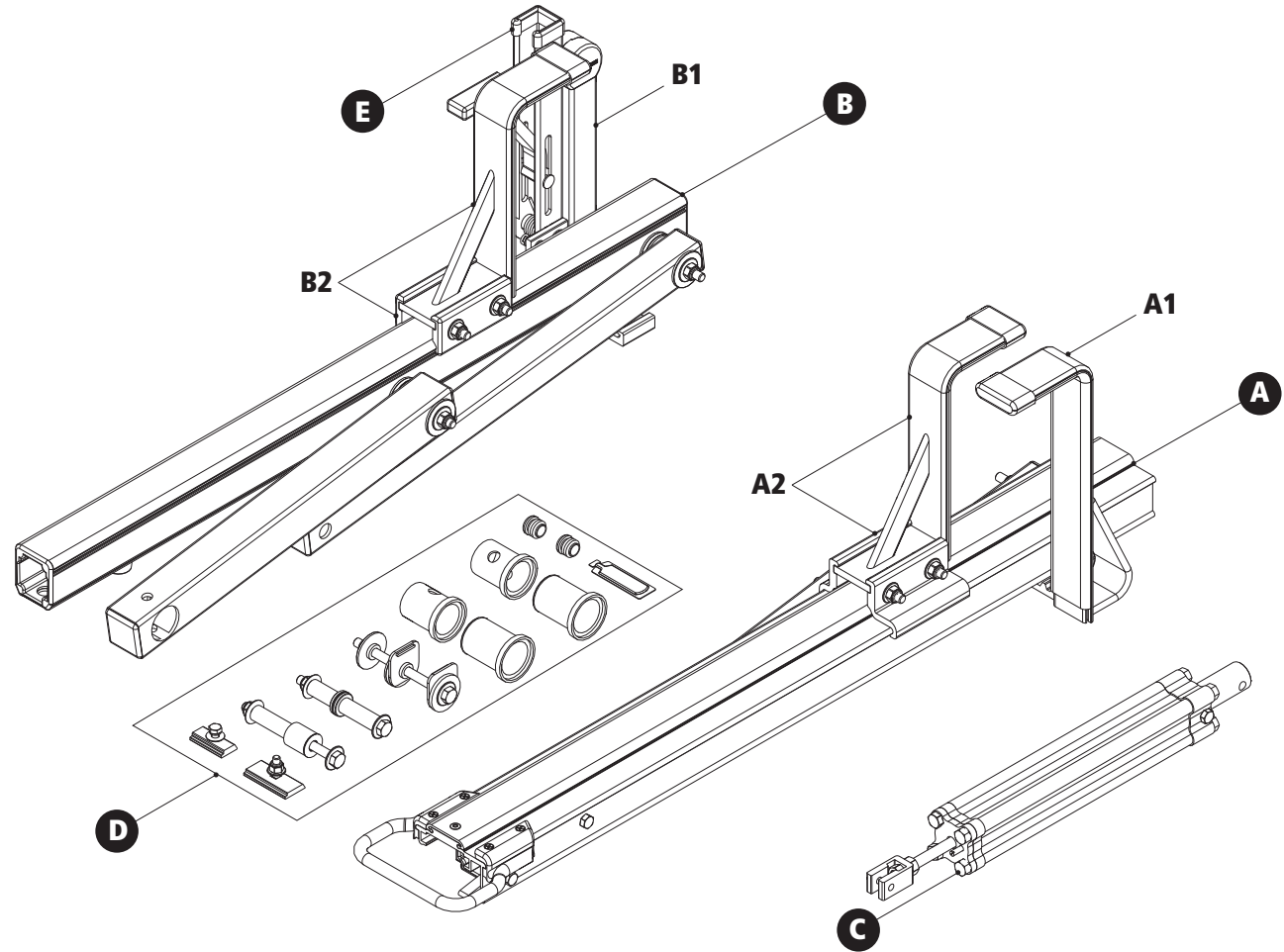
Dimensional Specifications on Page 2

Configuration as shown:

Slide Rotation Left, Powder Coat Finish
Kit Weight: 36 lbs

- A: ELR-8403 LH Slide Assembly
- A1: RKT-7824 LH Bottom Z-Post
- A2: RKT-7894 Slide Top Z-Post Assembly
- B: ELR-8402 RH Rear/LH Front Rotation
- B1: RKT-7854 L-Post
- B2: RKT-7856 Z-Post Assembly
- C: ACL-125 Cylinder
- D: HKT-8400 Rotation Module Hardware
- E: RKT-7893 LH Front/RH Rear Auto Clamp

[Modular Assembly Manuals](#)



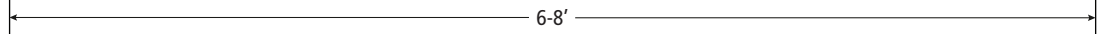
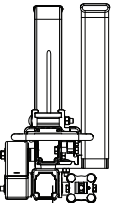
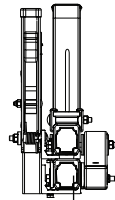
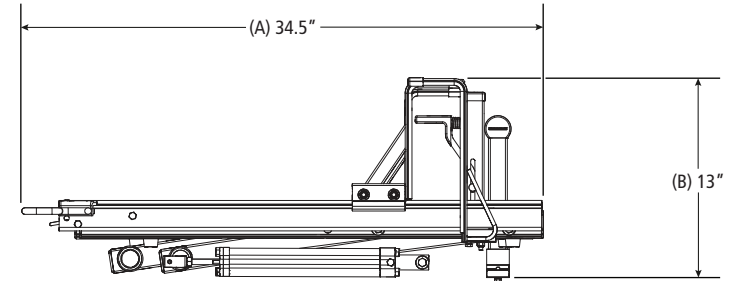
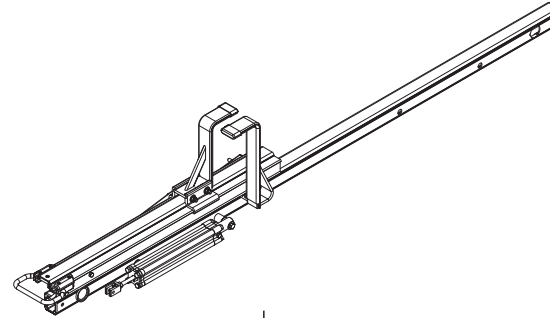
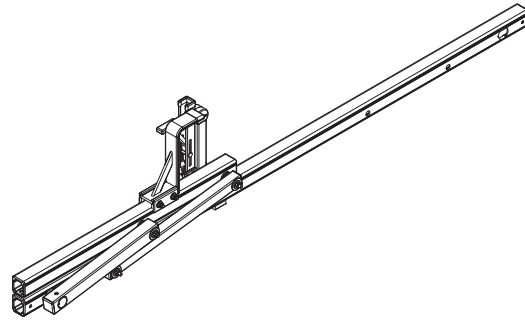
FEA-0004

Slide Rotation Kit

Shown with Crossbars for illustrative purposes only

Approximate dimensions as shown:

- A: Rotation Length 34.5"
- B: Rotation Height..... 13'
- C: Crossbar Spacing 6'-8'



Assembly Manual also available:

[FEA-0004](#)

USOV-FEA0004-US01 Rev-A 1221