

FEA-0010

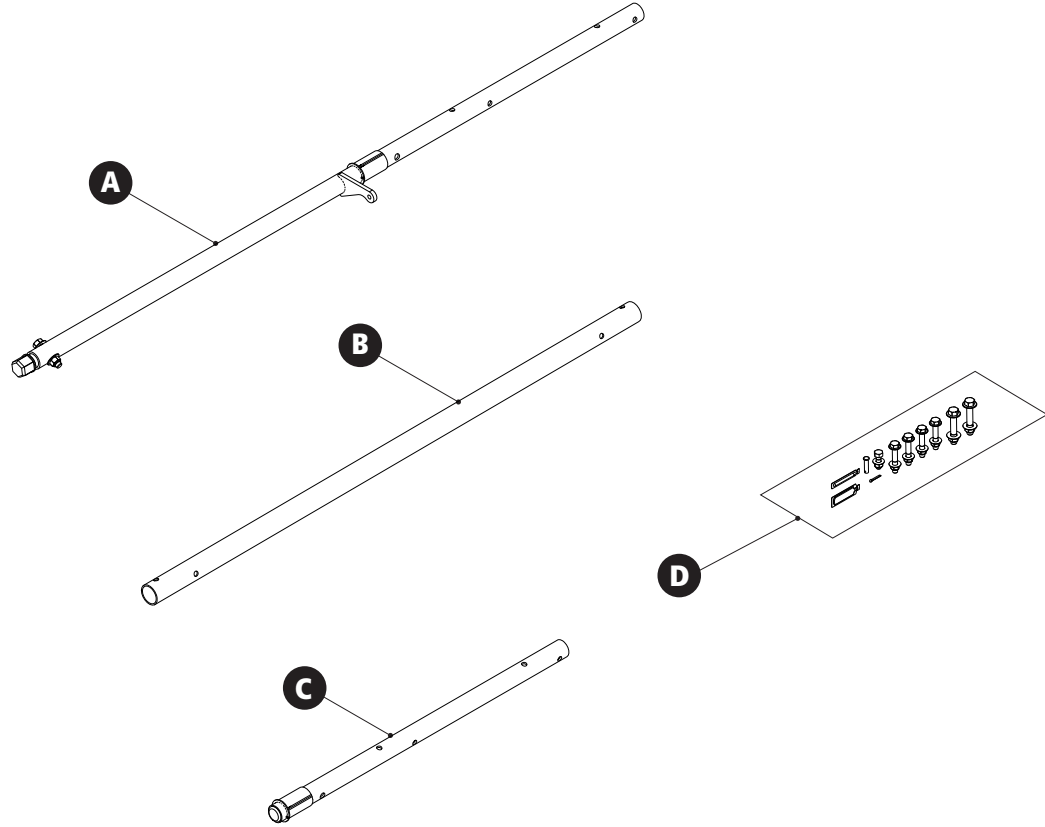
Rotation Hex Driveshaft

Dimensional Specifications on Page 2

Configuration as shown:

High Roof Rotation, White Powder Coat Finish
Kit Weight: 15 lbs

- A: ELR-8177 Hex Rear Drive Shaft
- B: ELR-1203 Connecting Bar
- C: ELR-8068 Front Drive Shaft
- D: HKT-8163 Hardware Kit



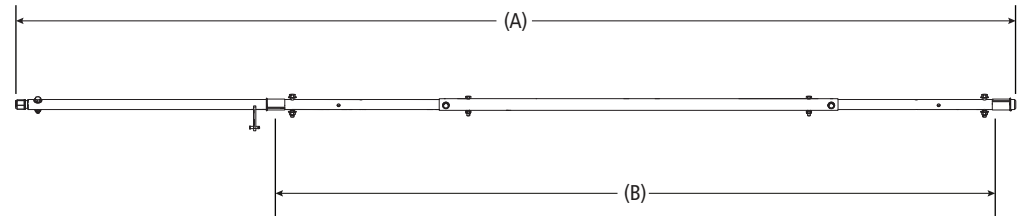
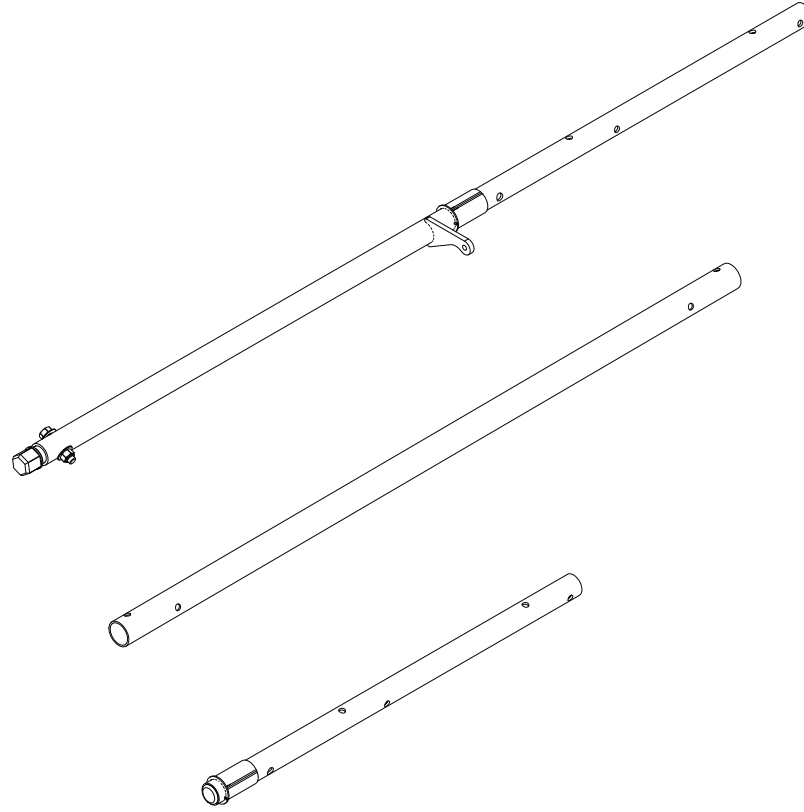
FEA-0010

Rotation Hex Driveshaft

Approximate dimensions as shown:

A: Right Rotation Length79"

B: Crossbar Spacing.....4'



Assembly Manual also available:

[FEA-0010](#)

USOV-[FEA0010](#)-US01 Rev-A 0721