

## HBB3-PM-HM

### ErgoRack, Promaster Low/High Roof

Three Crossbars, Powder Coat Finish  
Rack Weight (empty): 50 lbs

\*Callouts in this Configuration Overview indicate full module assemblies only.

For details on individual parts, please refer to the linked Module Overviews below.

A: ..... [FBM-1007-BLK Mounting System](#)

B: ..... [CBA-3009 Hybrid Crossbar Assembly](#)

[Modular Assembly Manuals](#)

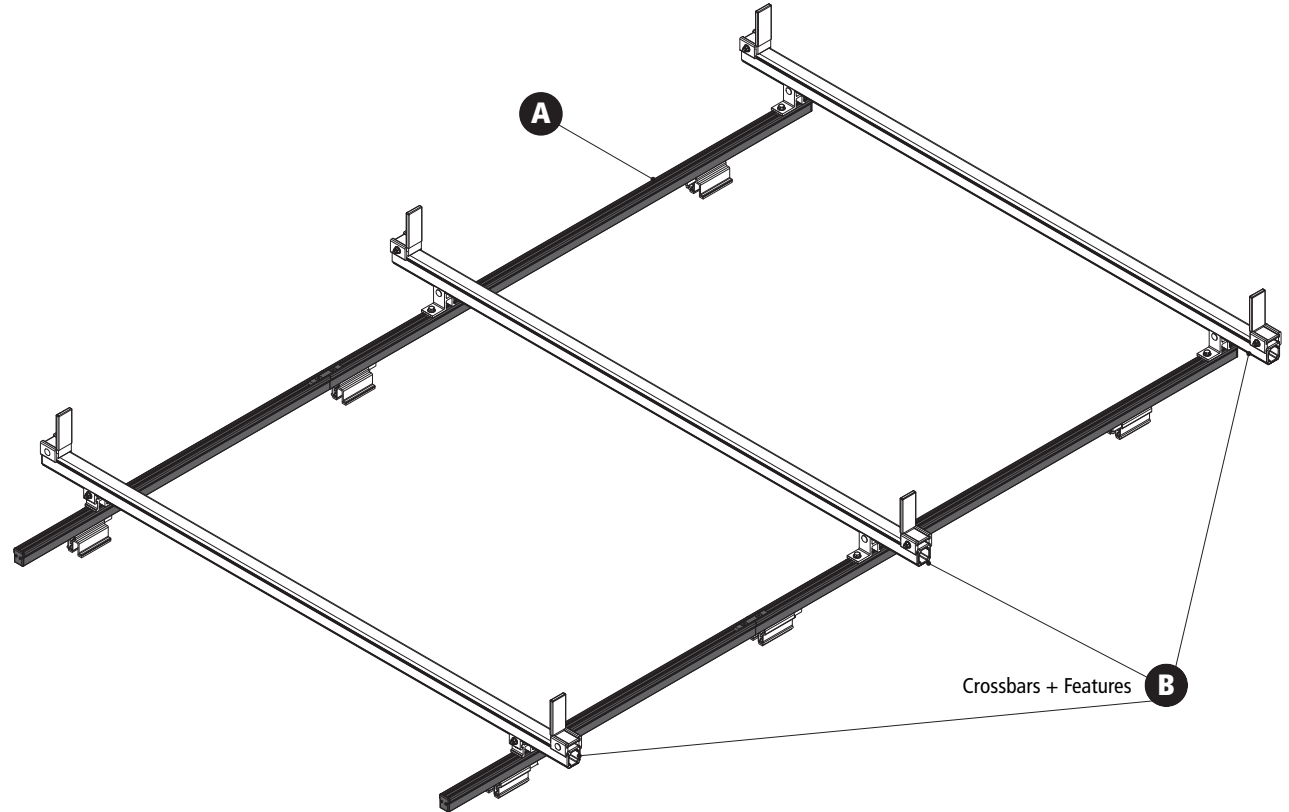
### ErgoRack Van—Load specifications:

Check vehicle manufacturer recommendations for roof capacity weight limits.

CROSSBAR SPACING	STEP LADDER	EXT. LADDER
4 ft Spacing	6 – 8 ft.	16 – 20 ft.
5 ft Spacing	8 – 10 ft.	16 – 24 ft.
6 ft Spacing	8 – 12 ft. <sup>†</sup>	16 – 28 ft.
7 ft Spacing	10 – 12 ft. <sup>†</sup>	20 – 32 ft.
8 ft Spacing	10 – 12 ft. <sup>†</sup>	20 – 36 ft.

<sup>†</sup>Rotation Configurations: 12 ft. step ladders require an extended upper add-on component.

\*Example shown with 118" Wheelbase Configuration



## HBB3-PM-HM

### ErgoRack, Promaster Low/High Roof

Approximate dimensions as shown:

#### All Wheelbases

- A: Rack Width ..... 72"
- B: Rack Height ..... 11"
- C: Rear Crossbar Offset (L & R) ..... Even
- D: Mount Bolt Spacing L/R ..... Set at install

#### 118" Wheelbase, Low Roof

- E: Crossbar Spacing (rear to center) ..... 2'-4'
- F: Crossbar Spacing (center to front) ..... 2'-4'
- G: Total Crossbar Spacing ..... 5'-8'
- H: Rack Length ..... 108"

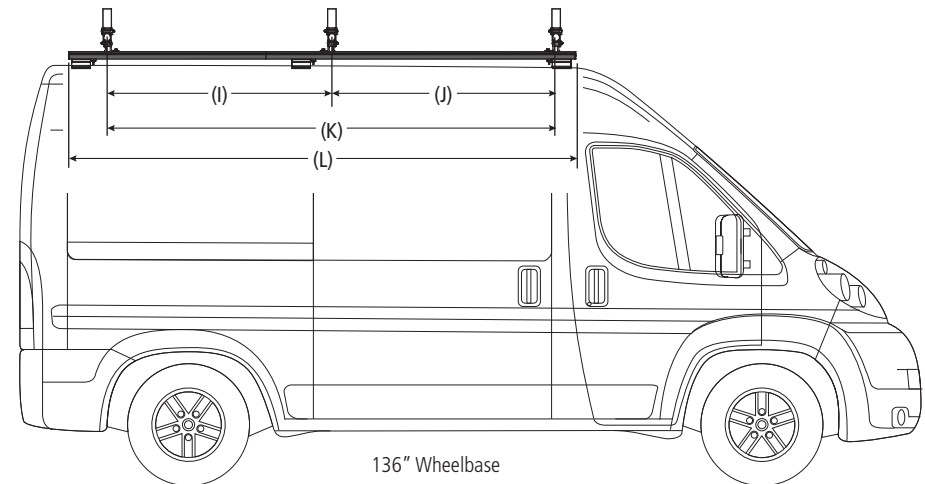
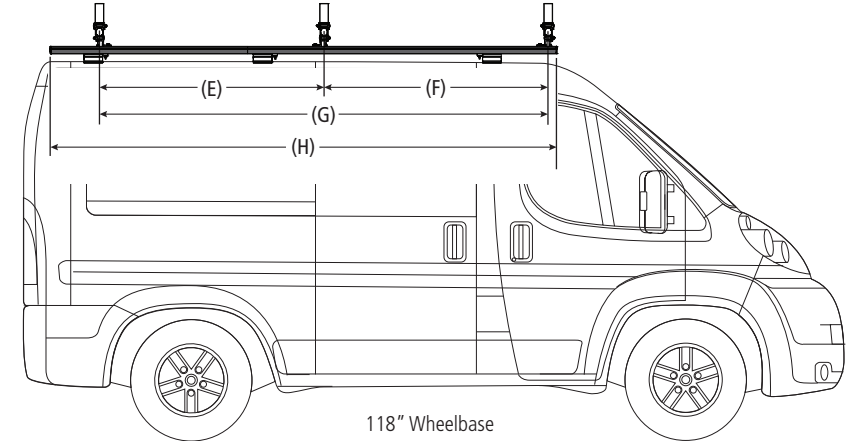
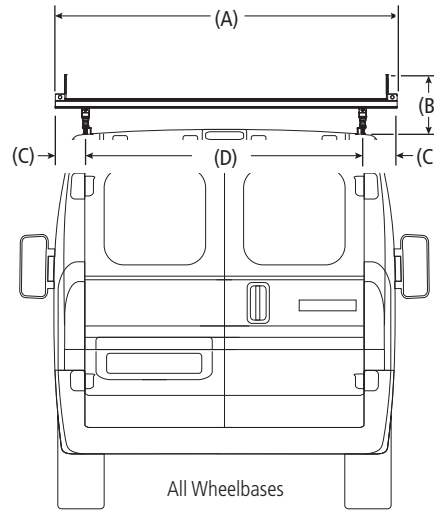
#### 136" Wheelbase, Low/High Roof

- I: Crossbar Spacing (rear to center) ..... 2'-4'
- J: Crossbar Spacing (center to front) ..... 2'-4'
- K: Total Crossbar Spacing ..... 5'-8'
- L: Rack Length ..... 108"

#### Compatible Accessories Available

(Sold Separately)

- Retractable Ratchet Tie-Down ..... [ACC-8000](#)
- Rear Access Ladder ..... [AAL Series](#)
- 8'-12' Conduit Carriers ..... [CON Series](#)
- WorkPro LED Lighting ..... [LED Series](#)
- Systems and Safety Components ..... [RVS Series](#)
- Safety monitoring ..... [DS2 Series](#)



## HBB3-PM-HM

### ErgoRack, Promaster High Roof

Approximate dimensions as shown:

#### All Wheelbases

- A: Rack Width ..... 72"
- B: Rack Height ..... 11"
- C: Rear Crossbar Offset (L & R) ..... Even
- D: Mount Bolt Spacing L/R ..... Set at install

#### 159" Wheelbase, High Roof

- E: Crossbar Spacing (rear to center) ..... 2'-4'
- F: Crossbar Spacing (center to front) ..... 2'-4'
- G: Total Crossbar Spacing ..... 8'
- H: Rack Length ..... 133"

#### 159" Extended Wheelbase, High Roof

- I: Crossbar Spacing (rear to center) ..... 2'-4'
- J: Crossbar Spacing (center to front) ..... 2'-4'
- K: Total Crossbar Spacing ..... 8'
- L: Rack Length ..... 148"

#### Compatible Accessories Available

(Sold Separately)

- Retractable Ratchet Tie-Down ..... [ACC-8000](#)
- Rear Access Ladder ..... [AAL Series](#)
- 8'-12' Conduit Carriers ..... [CON Series](#)
- WorkPro LED Lighting ..... [LED Series](#)
- Systems and Safety Components ..... [RVS Series](#)
- Safety monitoring ..... [DS2 Series](#)

