

HBR-E-PM-HM

ErgoRack, Promaster Low/High Roof

Two Crossbars, Powder Coat Finish
Rack Weight (empty): 89 lbs

*Callouts in this Configuration Overview indicate full module assemblies only.

For details on individual parts, please refer to the linked Module Overviews below.

- A: [FBM-1007-BLK Mounting System](#)
- B: [CBA-3007 Hybrid Crossbar Assembly](#)
- C: [FEA-0019 Rotation Driveshaft Assembly](#)

[Modular Assembly Manuals](#)

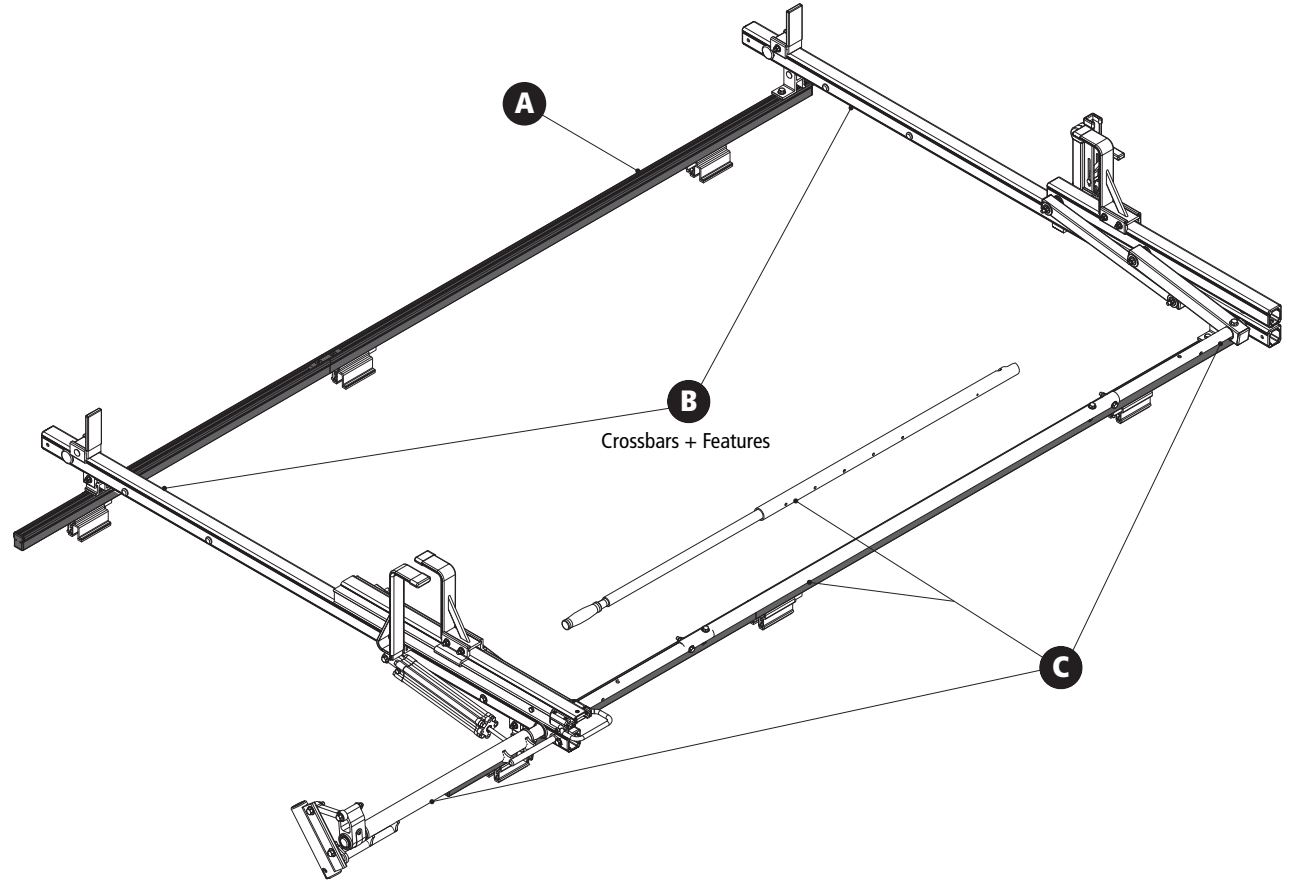
ErgoRack Van—Load specifications:

Check vehicle manufacturer recommendations for roof capacity weight limits.

| CROSSBAR SPACING | STEP LADDER | EXT. LADDER |
|------------------|--------------------------|-------------|
| 4 ft Spacing | 6 – 8 ft. | 16 – 20 ft. |
| 5 ft Spacing | 8 – 10 ft. | 16 – 24 ft. |
| 6 ft Spacing | 8 – 12 ft. [†] | 16 – 28 ft. |
| 7 ft Spacing | 10 – 12 ft. [†] | 20 – 32 ft. |
| 8 ft Spacing | 10 – 12 ft. [†] | 20 – 36 ft. |

[†]Rotation Configurations: 12 ft. step ladders require an extended upper add-on component.

*Example shown with 118" Wheelbase Configuration



HBR-E-PM-HM

ErgoRack, Promaster Low/High Roof

Approximate dimensions as shown:

All Wheelbases

- A: Rack Width 76"
- B: Rack Height 18.50"
- C: Rear Crossbar Offset (L & R) Even
- D: Mount Bolt Spacing L/R Set at install

118" Wheelbase, Low Roof

- E: Total Crossbar Spacing 6'-8'
- F: Rack Length 113"

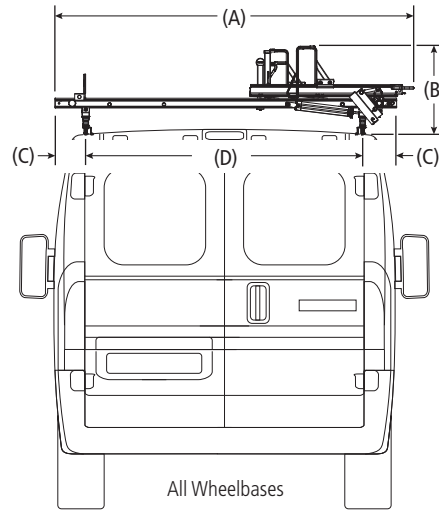
136" Wheelbase, Low/High Roof

- G: Total Crossbar Spacing 6'-8'
- H: Rack Length 130"

Compatible Accessories Available

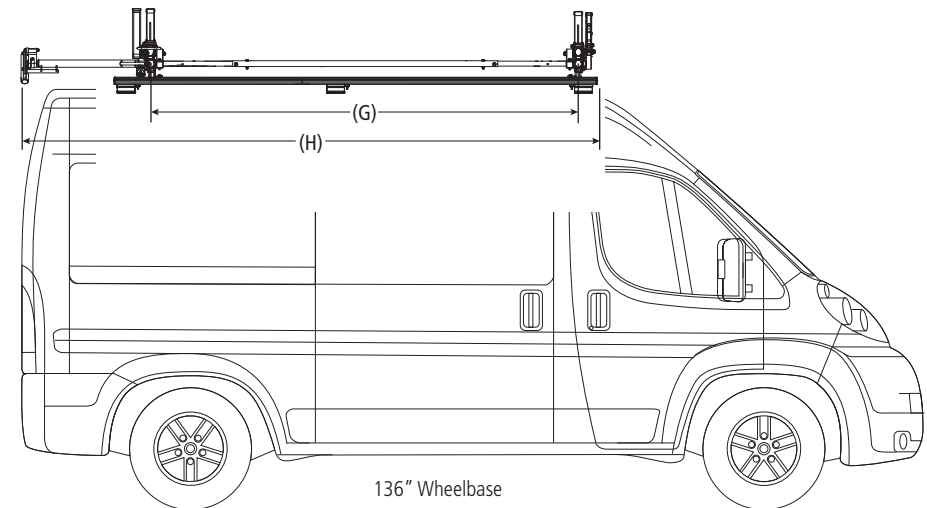
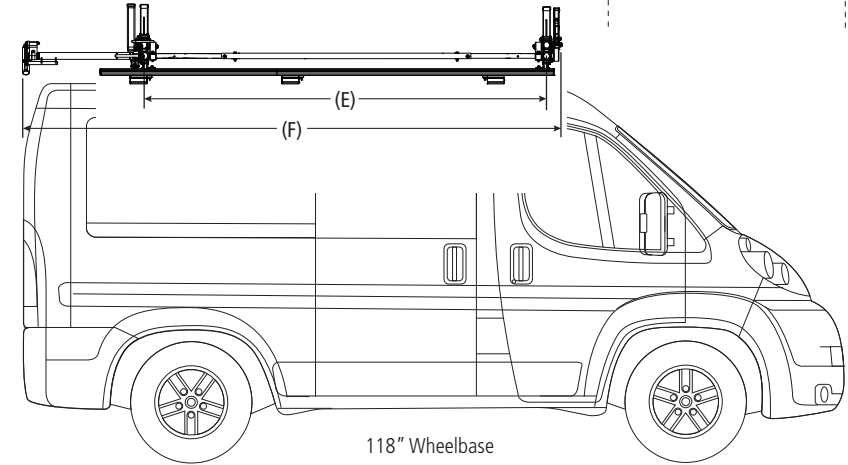
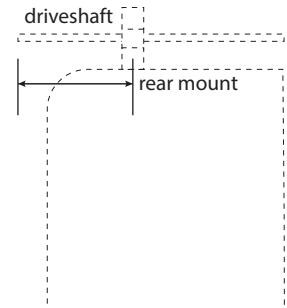
(Sold Separately)

- Retractable Ratchet Tie-Down [ACC-8000](#)
- Rear Access Ladder [AAL Series](#)
- 8'-12' Conduit Carriers [CON Series](#)
- WorkPro LED Lighting [LED Series](#)
- Systems and Safety Components [RVS Series](#)
- Safety monitoring [DS2 Series](#)



Rear Drive Shaft Offset: 29"

Note: The end of the driveshaft must not extend beyond the vehicle bumper



HBR-E-PM-HM

ErgoRack, Promaster High Roof

Approximate dimensions as shown:

All Wheelbases

- A: Rack Width 76"
- B: Rack Height 18.50"
- C: Rear Crossbar Offset (L & R) Even
- D: Mount Bolt Spacing L/R..... Set at install

159" Wheelbase, High Roof

- E: Total Crossbar Spacing..... 8'
- F: Rack Length 154"

159" Extended Wheelbase, High Roof

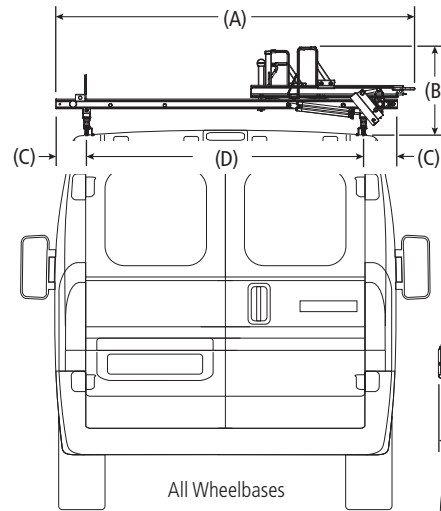
- G: Total Crossbar Spacing..... 8'
- H: Rack Length..... 169"

Compatible Accessories Available

(Sold Separately)

- Retractable Ratchet Tie-Down..... [ACC-8000](#)
- Rear Access Ladder..... [AAL Series](#)
- 8'–12' Conduit Carriers..... [CON Series](#)
- WorkPro LED Lighting..... [LED Series](#)
- Systems and Safety Components [RVS Series](#)
- Safety monitoring..... [DS2 Series](#)

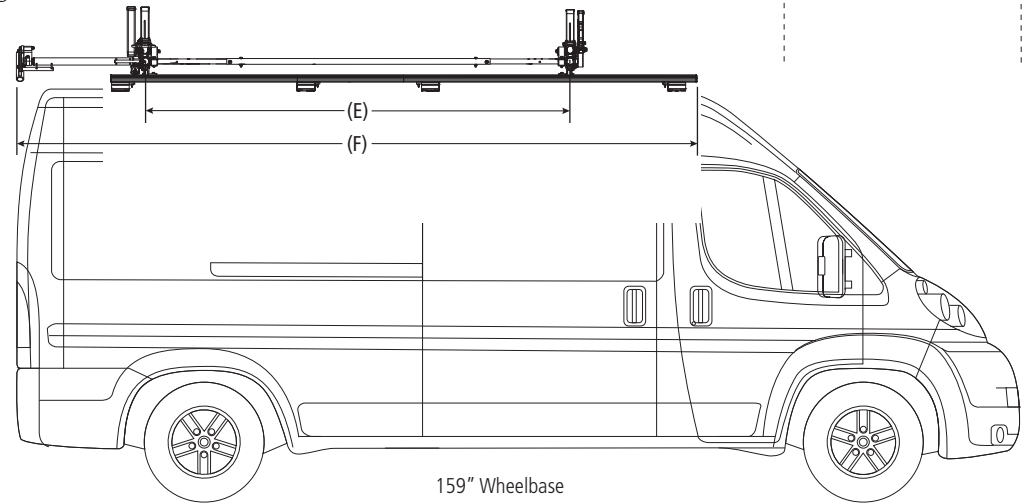
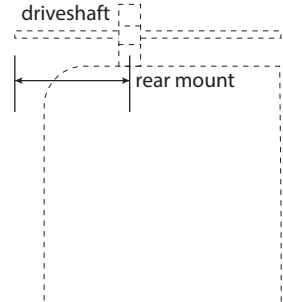
High Roof Configurations



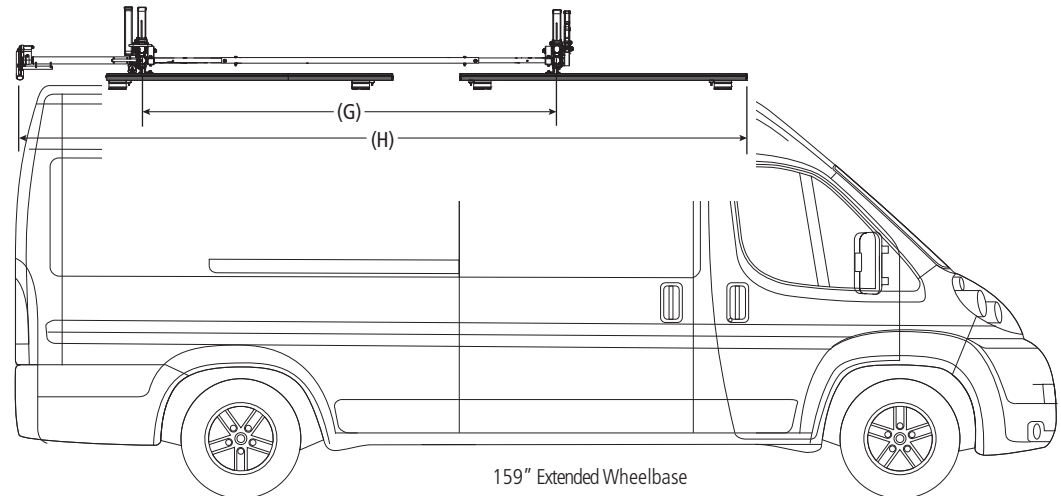
All Wheelbases

Rear Drive Shaft Offset: 29"

Note: The end of the driveshaft must not extend beyond the vehicle bumper



159" Wheelbase



159" Extended Wheelbase