

HRR3-E-UM3-M

Utility Direct Mount Series

HRR3-E-UM-90-M configuration shown for illustrative purposes

Module Assemblies:

A: Mounting System[FBM-1024-BLK](#)

B: Rotation Drive Shaft Assembly (LH)[FEA-0020](#)

C: Slide Rotation Assembly (LH)[FEA-0004](#)

D: Mid Crossbar Kit Sizes per Rack Configuration:
HRR3-E-UM3-72-M:..... [CBR-0008](#)
HRR3-E-UM3-78-M:..... [CBR-0006](#)
HRR3-E-UM3-84-M:..... [CBR-0017](#)
HRR3-E-UM3-90-M:..... [CBR-0019](#)
HRR3-E-UM3-99-M:..... [CBR-0023](#)

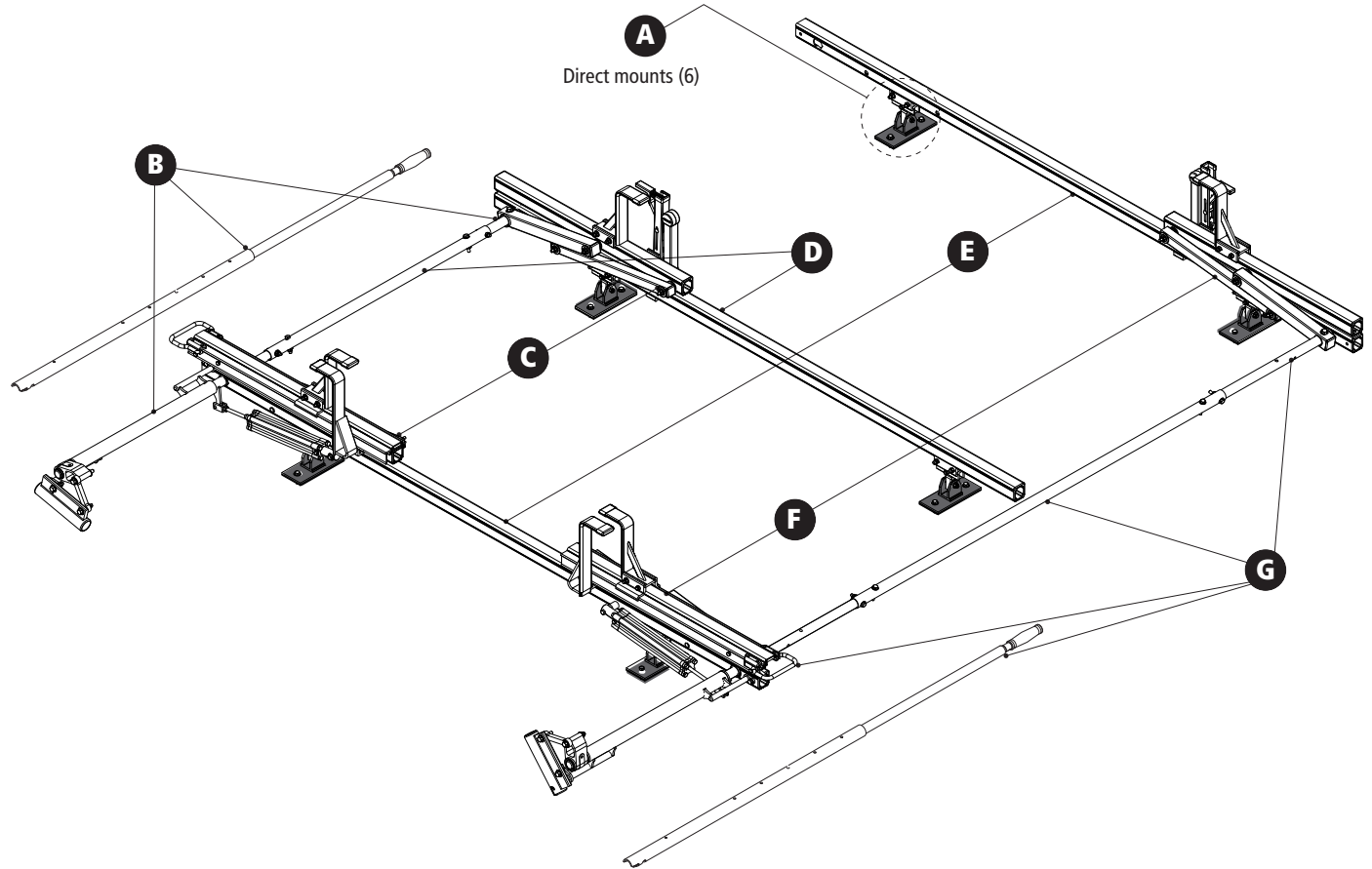
E: Crossbar Assembly Sizes per Rack Configuration:
HRR3-E-UM3-72-M:..... [CBR-0007](#)
HRR3-E-UM3-78-M:..... [CBR-0005](#)
HRR3-E-UM3-84-M:..... [CBR-0016](#)
HRR3-E-UM3-90-M:..... [CBR-0018](#)
HRR3-E-UM3-99-M:..... [CBR-0020](#)

F: Slide Rotation Assembly (RH)[FEA-0003](#)

G: Rotation Drive Shaft Assembly (RH)[FEA-0019](#)

[Modular Assembly Manuals](#)

*Callouts in this Configuration Overview indicate full module assemblies only. For details on individual parts, please refer to the linked Module Overviews.



HRR3-E-UM3-M

Utility Direct Mount Series

HRR3-E-UM-90-M configuration shown for illustrative purposes

Approximate dimensions as shown:

A: Total Rack Widths per Configuration:

HRR3-E-UM3-72-M:.....	78"
HRR3-E-UM3-78-M:	84"
HRR3-E-UM3-84-M:	90"
HRR3-E-UM3-90-M:.....	96"
HRR3-E-UM3-99-M:	102"

B: Rack Height 18"

C: Crossbar Spacing (rear to center).....4'

D: Crossbar Spacing (center to front).....2'-4'

E: Total Crossbar Spacing.....6'-8'

F: Rack Length 105"–129"

Compatible Accessories Available

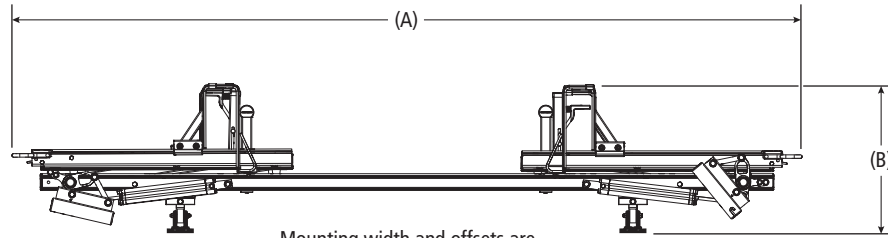
(Sold Separately)

Conduit Carriers.....[CON Series](#)

WorkPro LED Lighting.....[LED Series](#)

Systems and Safety Components[RVS Series](#)

Safety monitoring.....[DS2 Series](#)



Mounting width and offsets are determined by Vehicle Specifications

