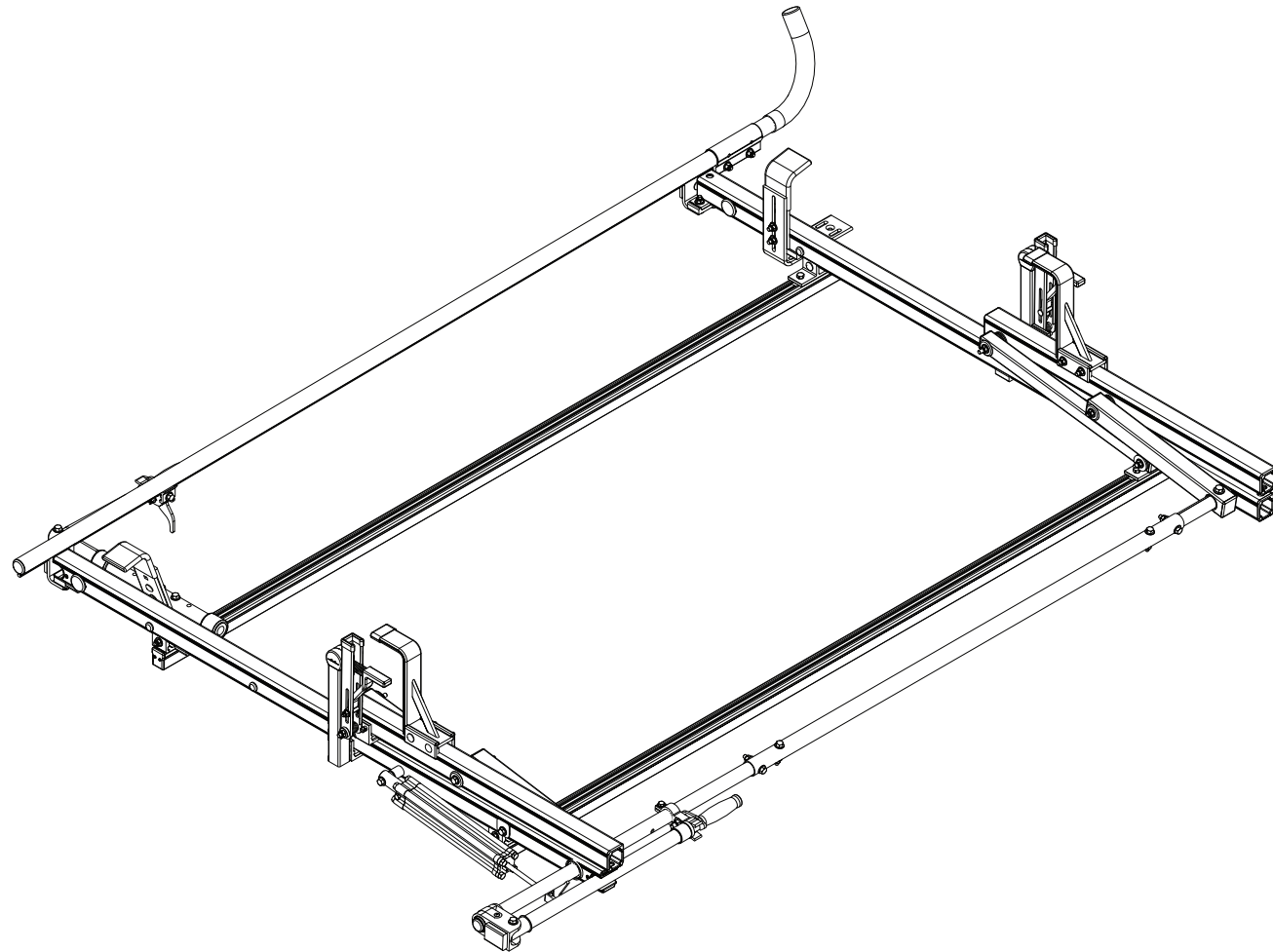


# PRIME DESIGN™

A Safe Fleet Brand



PCR 6000

PRIME DESIGN, A SAFE FLEET BRAND

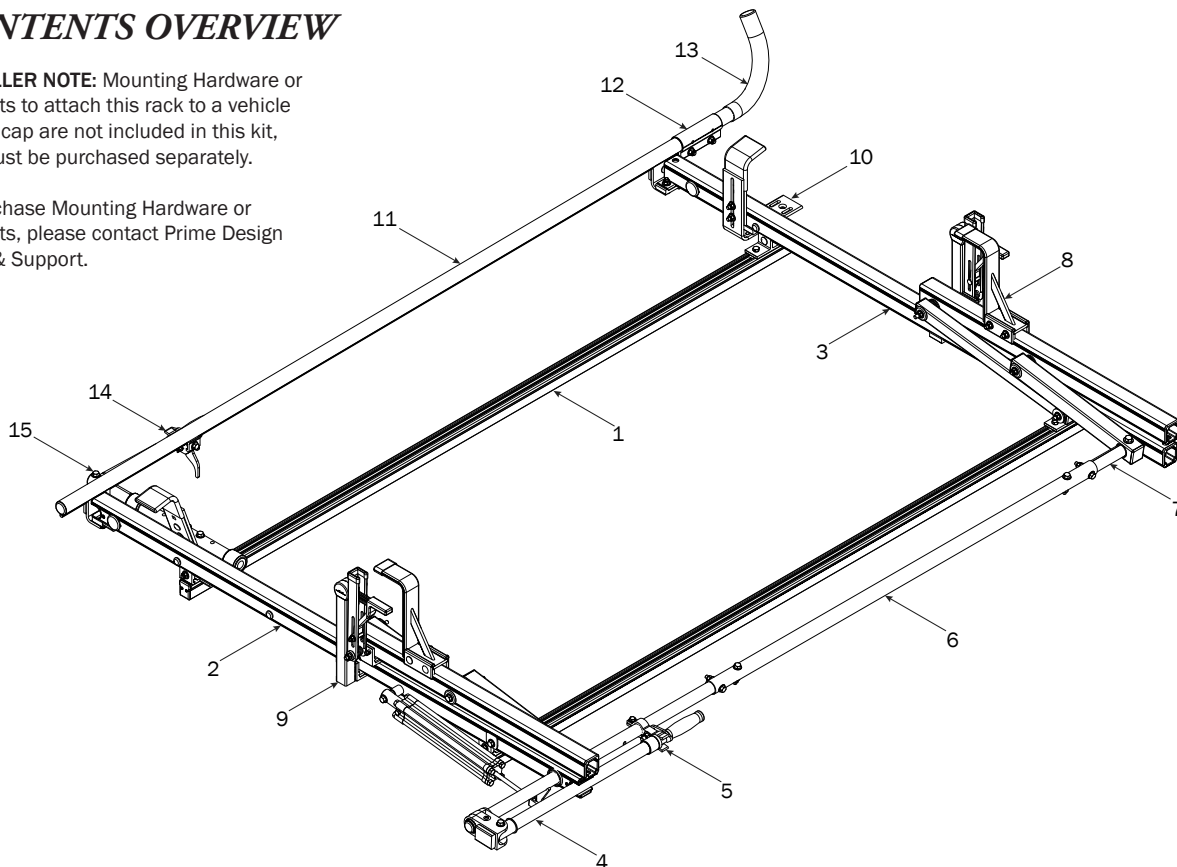
Address: 580 Opperman Drive, Eagan, MN 55123 • Toll Free: 1.8.PRIME.RACK

Fax: 651-552-1799 • Email: [info@primedesign.net](mailto:info@primedesign.net) • Website: [www.primedesign.net](http://www.primedesign.net)

## CONTENTS OVERVIEW

**INSTALLER NOTE:** Mounting Hardware or Brackets to attach this rack to a vehicle roof or cap are not included in this kit, and must be purchased separately.

To purchase Mounting Hardware or Brackets, please contact Prime Design Sales & Support.



1—FBM-0001 ..... (Qty 1)  
Channels with hardware



Channels (2X)



Screws (8X)

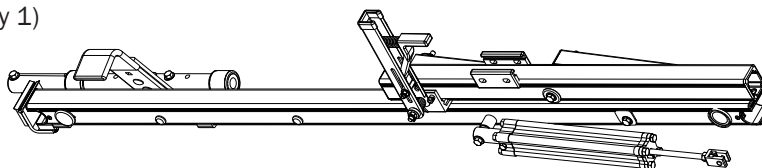


End Caps (4X)

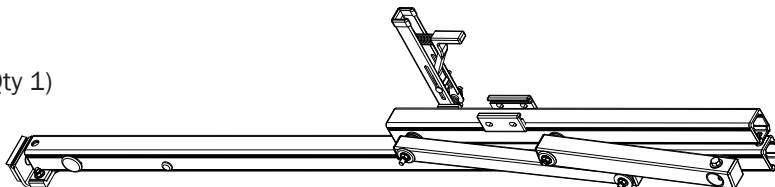


Brackets (4X)

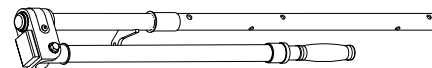
2—Rear Crossbar Assembly ..... (Qty 1)



3—Front Crossbar Assembly ..... (Qty 1)



4—Rear Drive Shaft ..... (Qty 1)  
Right Hand, 34.00"



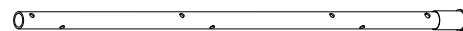
5—Handle Latch Assembly ..... (Qty 1)



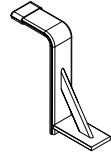
6—Connecting Bar ..... (Qty 1)  
4.00'



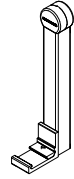
7—Front Drive Shaft ..... (Qty 1)  
B Version, 35.75"



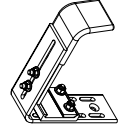
8—Z Post ..... (Qty 2)  
Adjustable, 7.25"



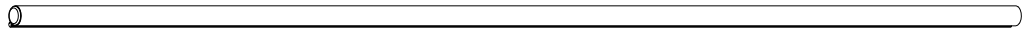
9—L Post ..... (Qty 2)  
US3, Square Cap, 11.25"



10—Front Hook Assembly ..... (Qty 1)



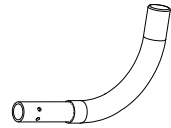
11—Clamp Down Tube ..... (Qty 1)  
80.00"



12—Quick Clamp Tube Splice Assembly ..... (Qty 1)  
5.00"



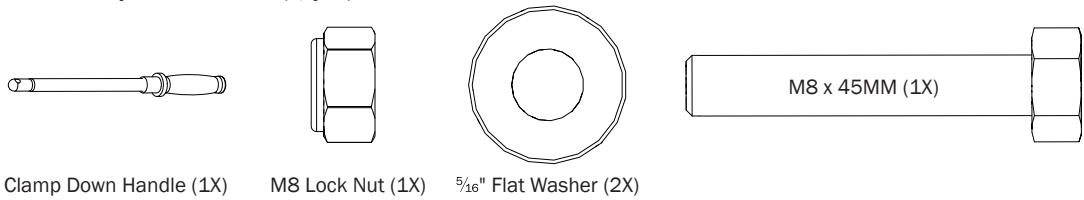
13—Removeable Horn with Cap ..... (Qty 1)  
15.00"



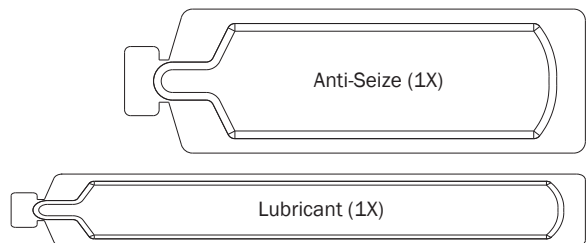
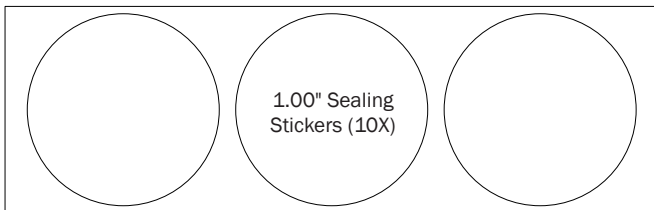
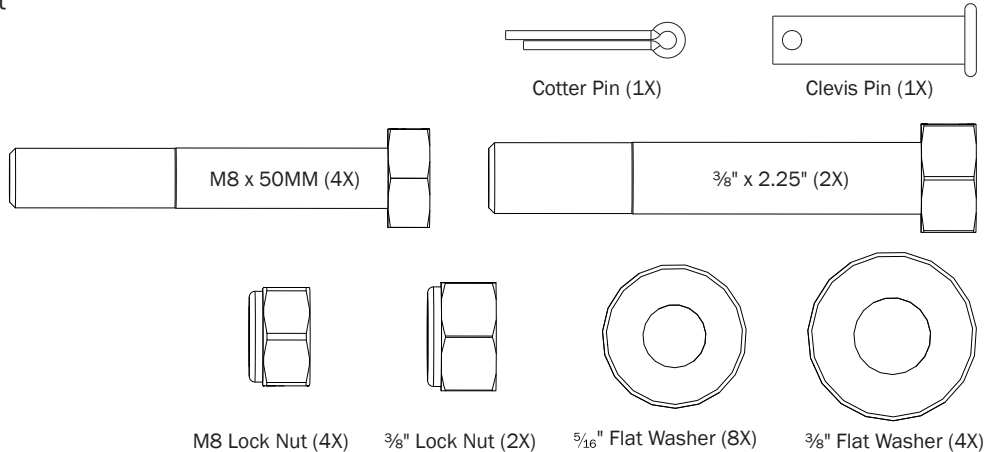
14—Clamp Down Handle Latch Assembly ..... (Qty 1)



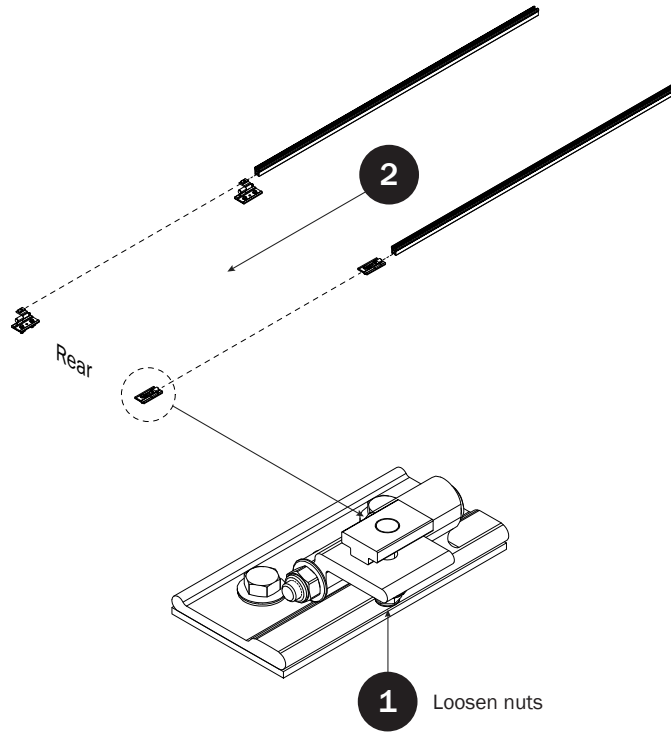
15—Clamp Down Handle Assembly ..... (Qty 1)



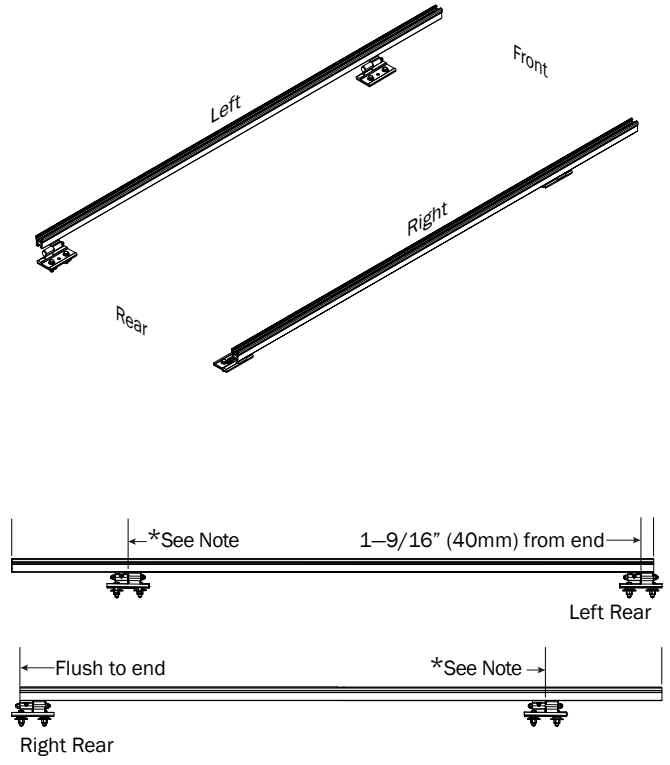
HKT-8162-Rotation Hardware Kit



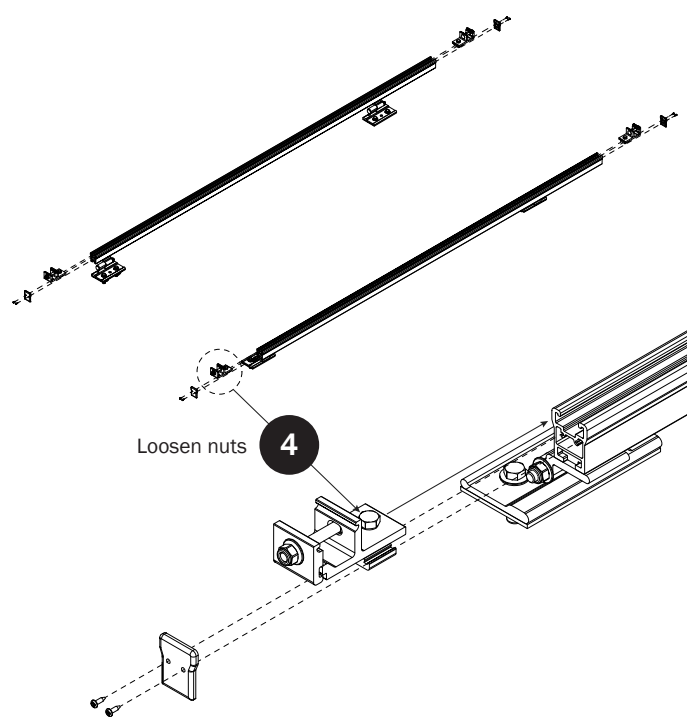
**FBM-0001 FLUSH CHANNELS TO PRE-INSTALLED MOUNTING BRACKETS**



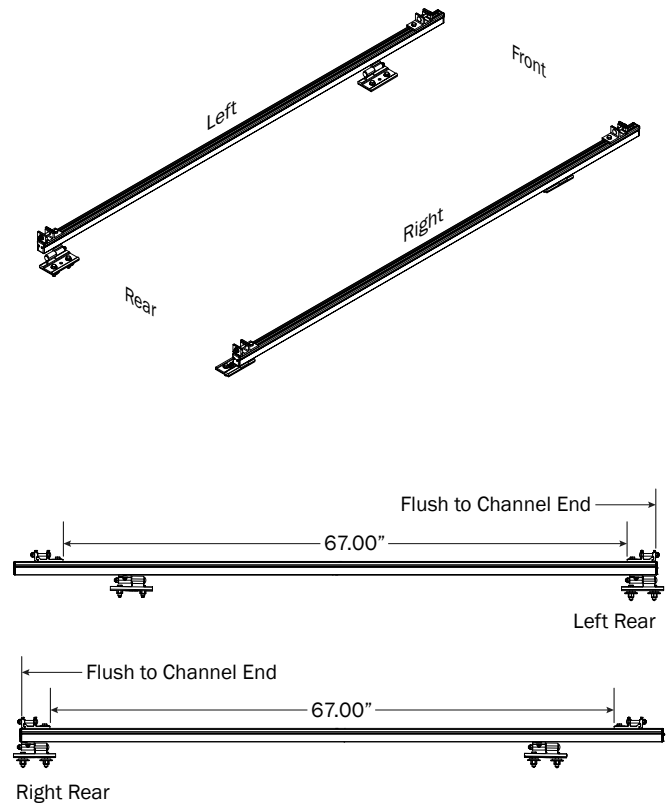
**3** Set to distances then torque nuts to 80 in-lbs



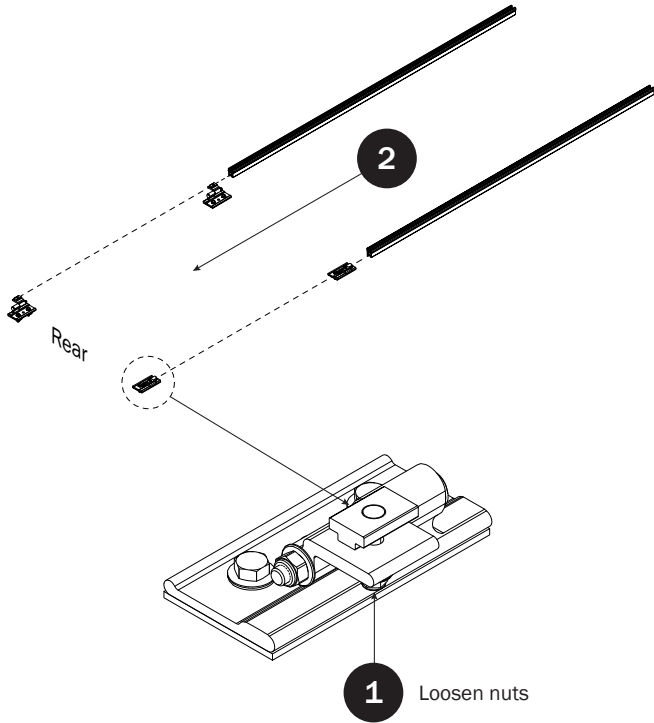
\*Note: Use Alternate instructions if marked distances exceed 18" (457mm).



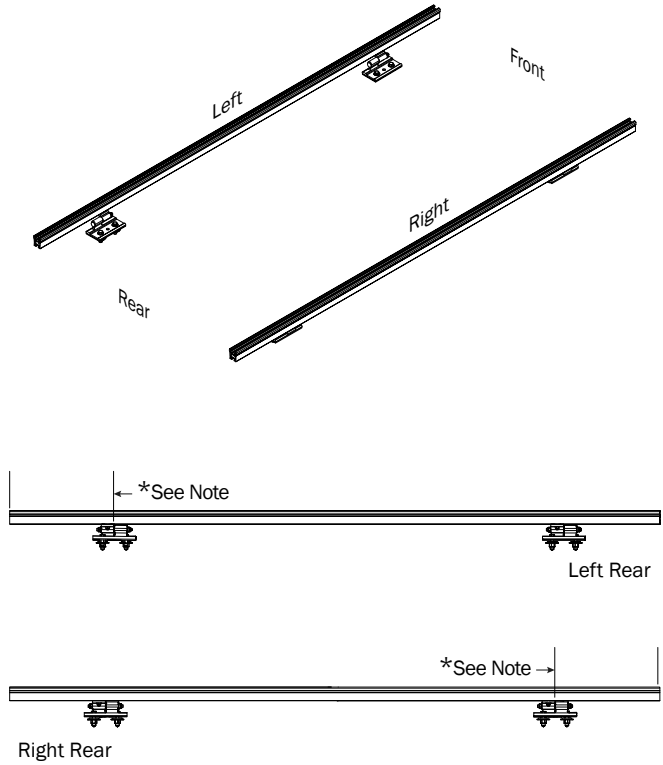
**5** Set to distances then torque Rear Bracket nuts to 90 in-lbs



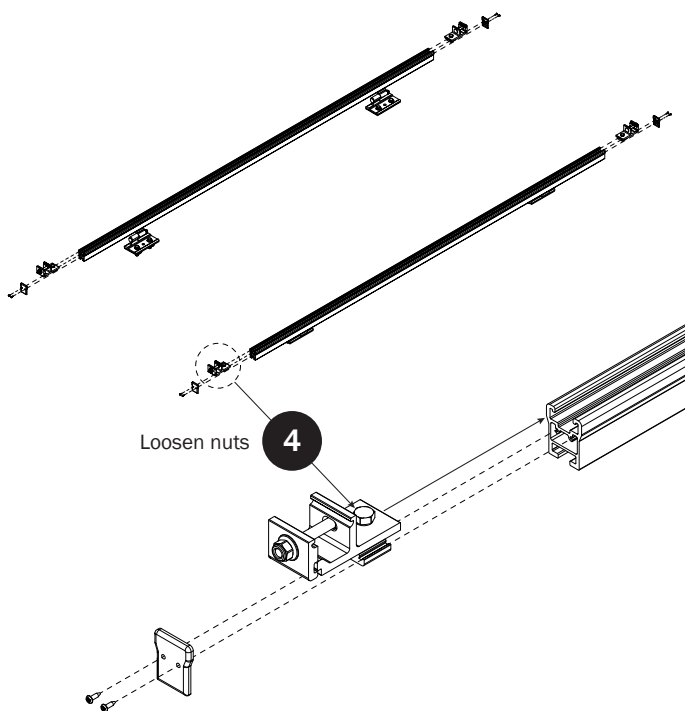
**FBM-0001 ALTERNATE**  
CHANNELS TO PRE-INSTALLED  
MOUNTING BRACKETS



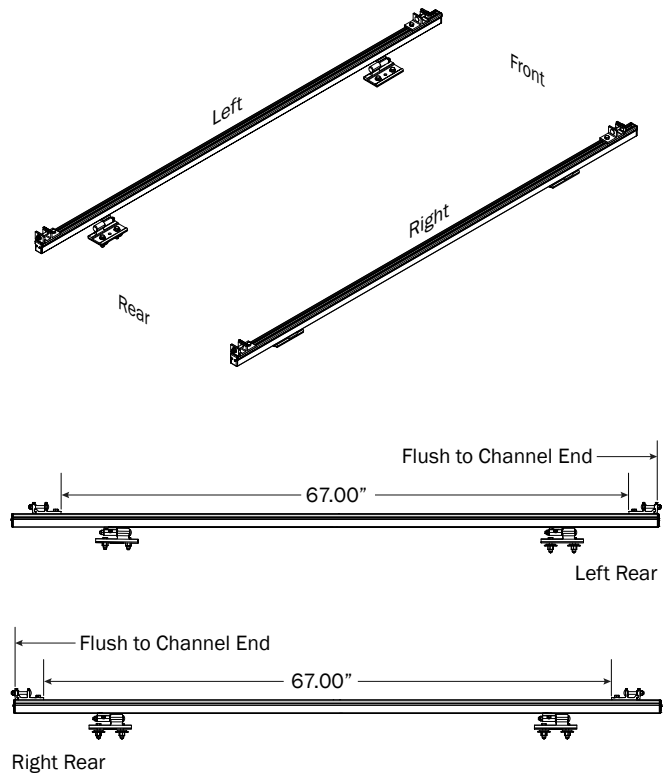
3 Set to distances then torque nuts to 80 in-lbs



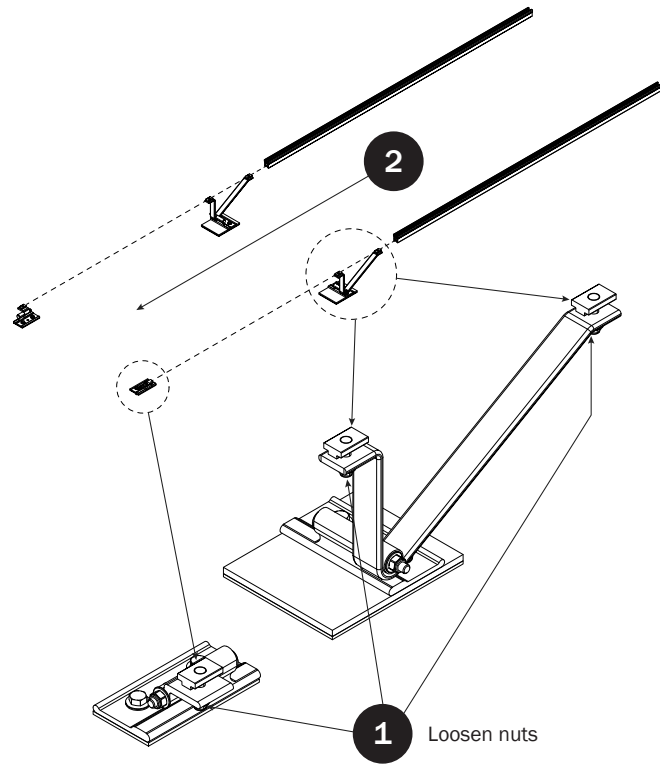
\* Move Channels rearward until front distance no longer exceeds 18" (457mm).



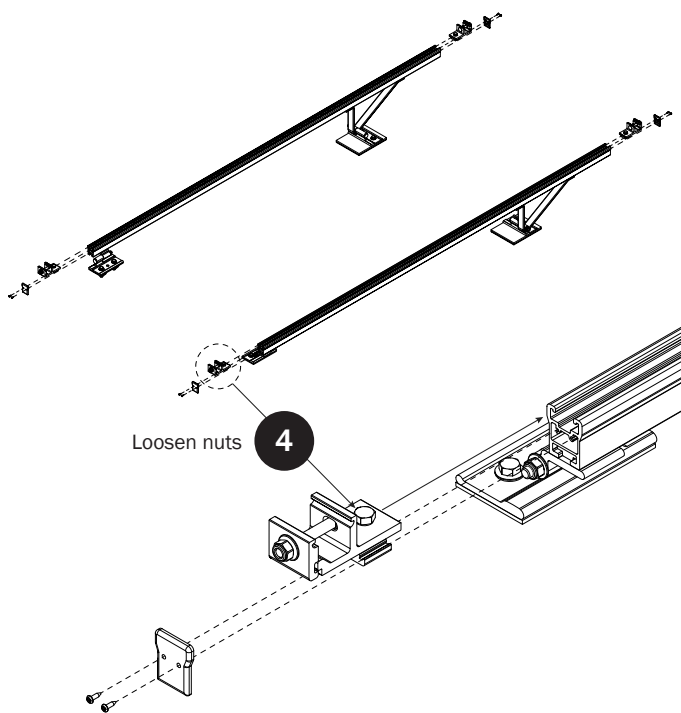
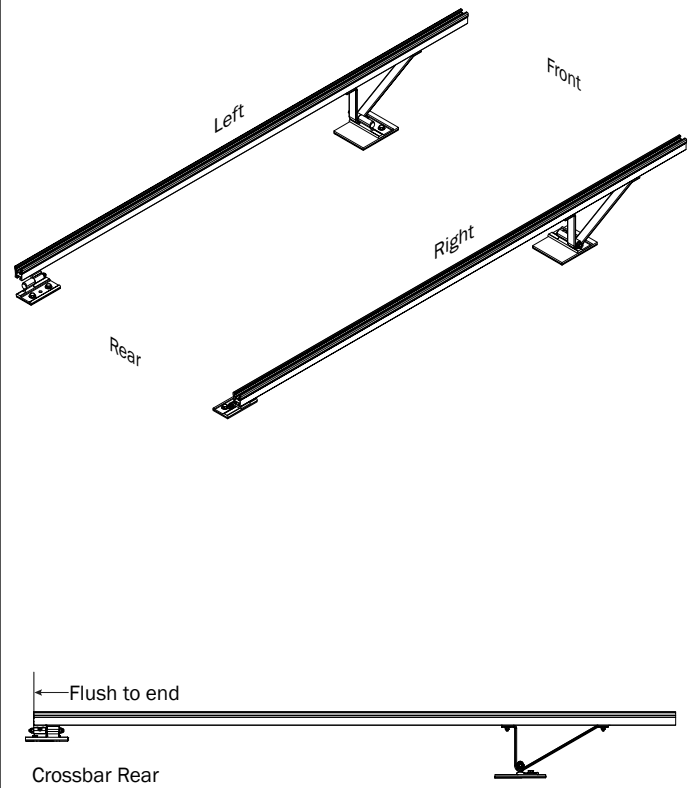
5 Set to distances then torque Rear Bracket nuts to 90 in-lbs



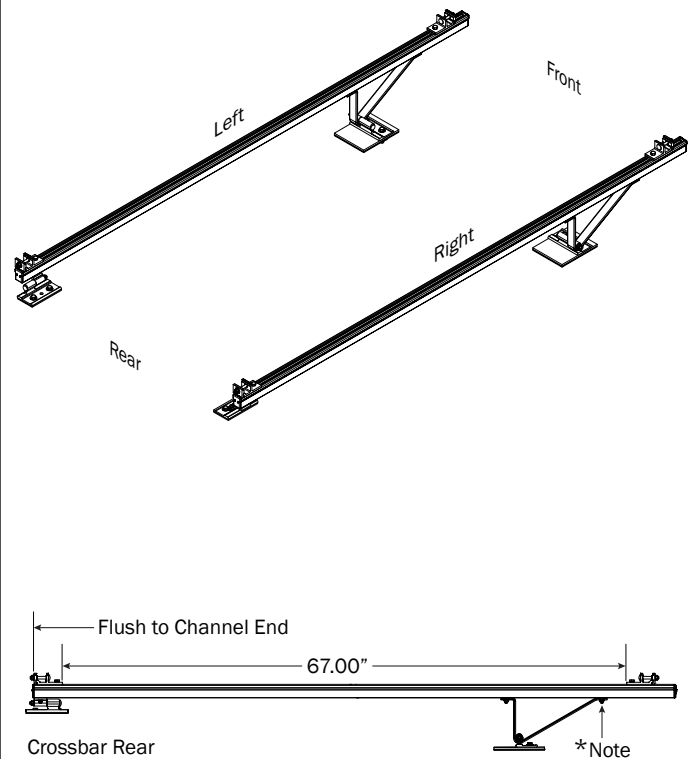
**FBM-0001 SLOPED TYPICAL CHANNELS TO PRE-INSTALLED MOUNTING BRACKETS**



3 Set to distances then torque nuts to 80 in-lbs

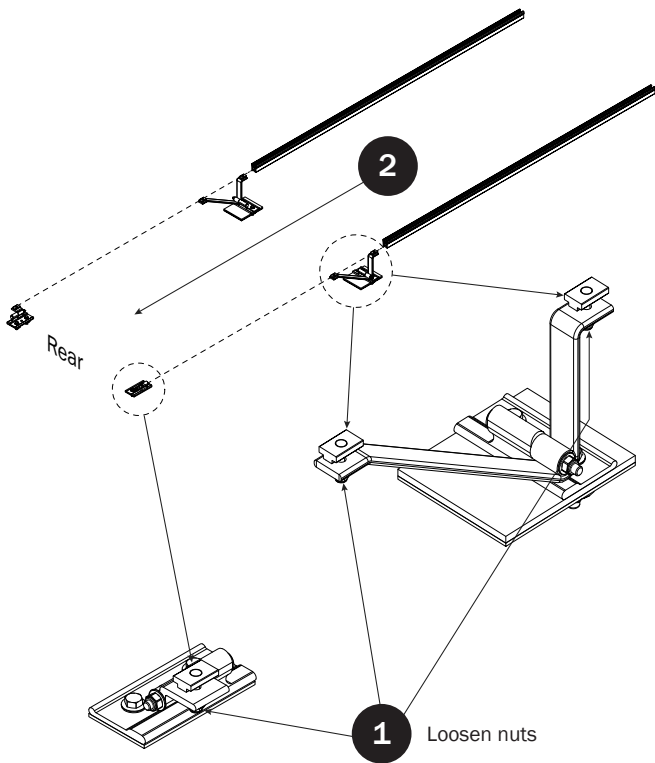


5 Set to distances then torque nuts to 90 in-lbs

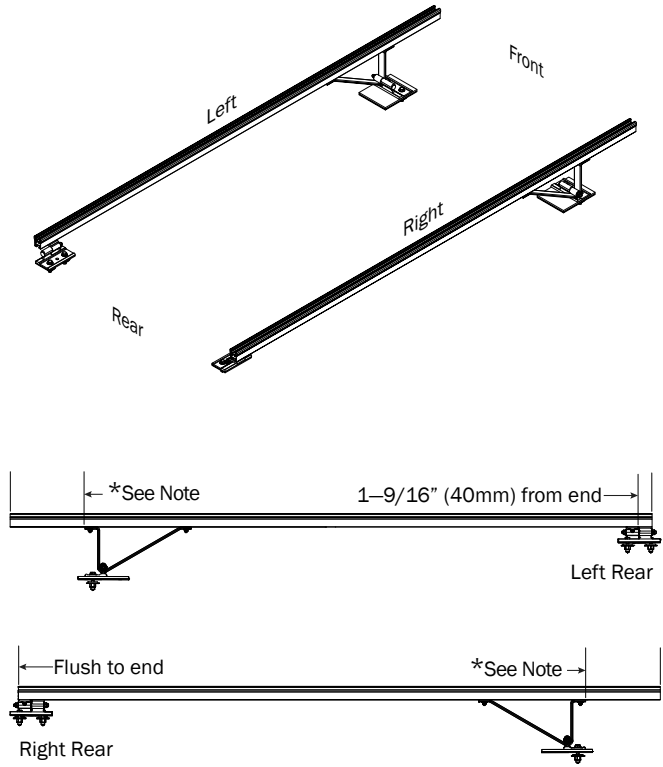


\*Note: Use Alternate instructions if mounting point is beyond end of Channel.

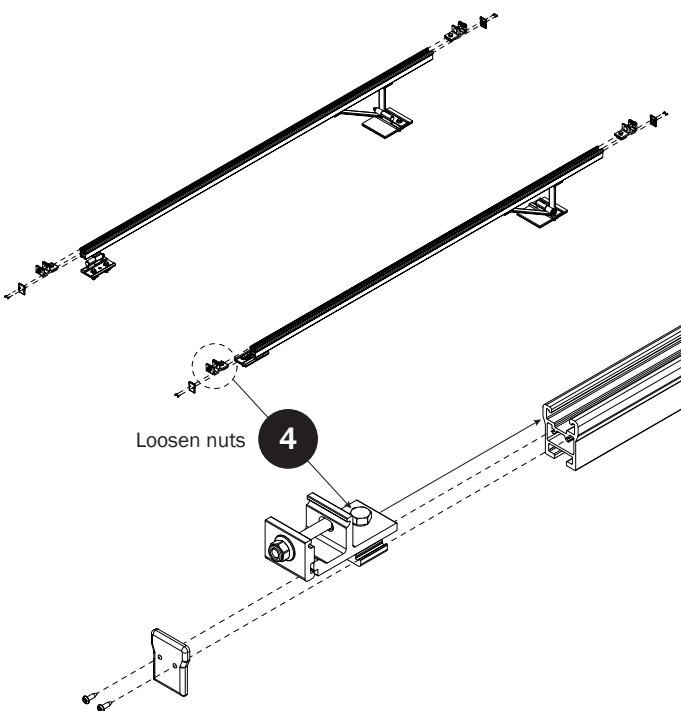
**FBM-0001 SLOPED ALTERNATE CHANNELS TO PRE-INSTALLED MOUNTING BRACKETS**



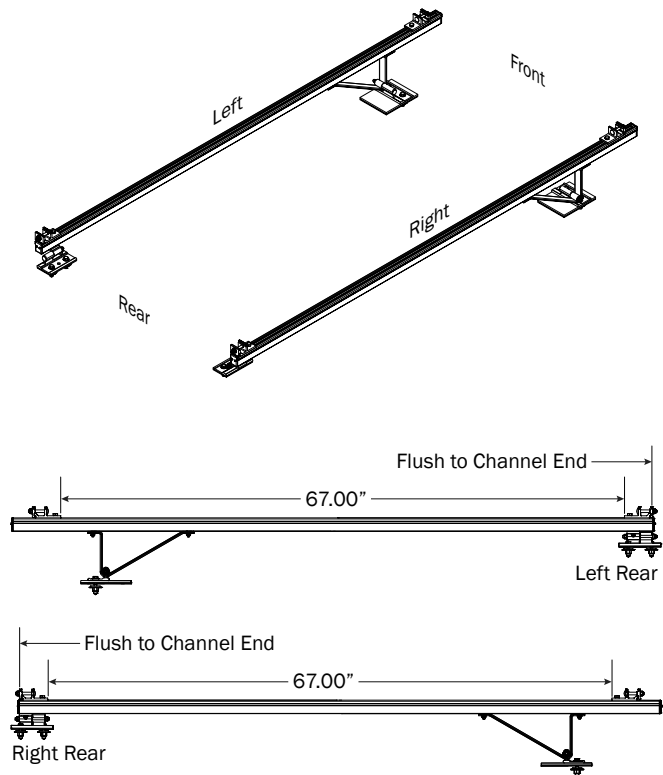
**3** Set to distances then torque nuts to 80 in-lbs



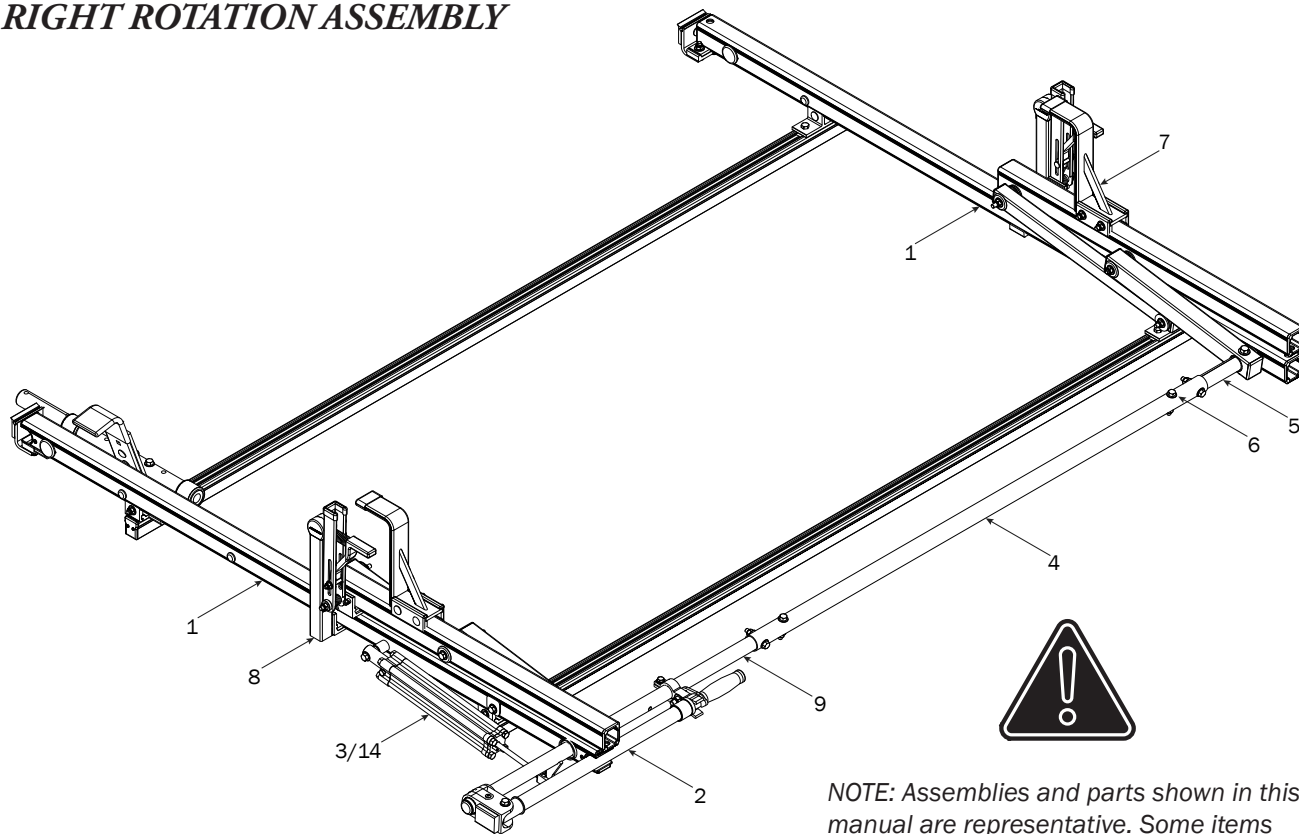
\*Note: Use Sloped Typical instructions if front distance exceeds 18" (457mm).



**5** Set to distances then torque nuts to 90 in-lbs

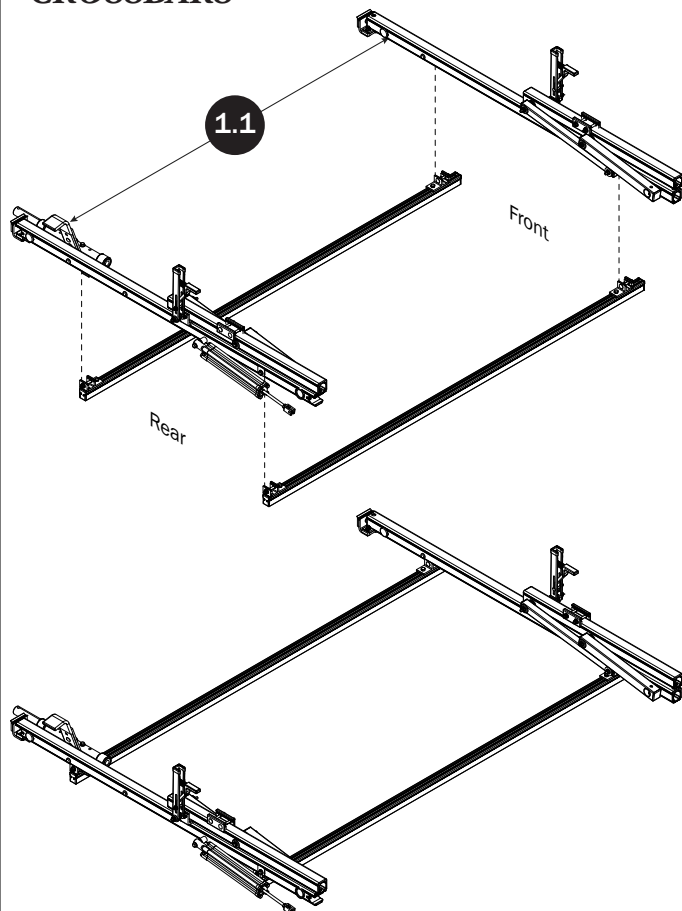


**RIGHT ROTATION ASSEMBLY**

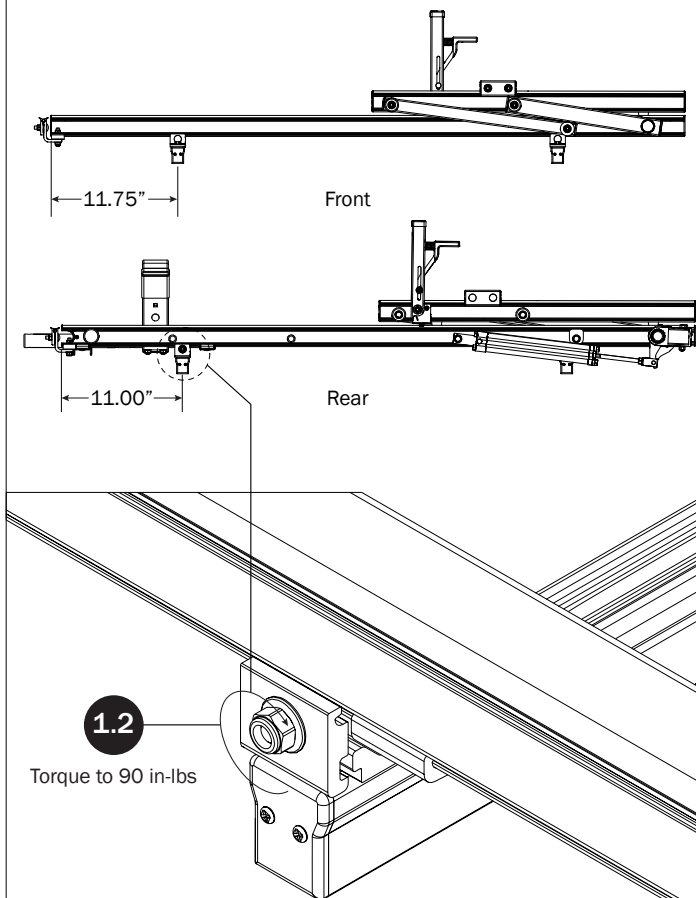


NOTE: Assemblies and parts shown in this manual are representative. Some items may appear different from actual parts, assemblies, or components received.

**CROSSBARS**

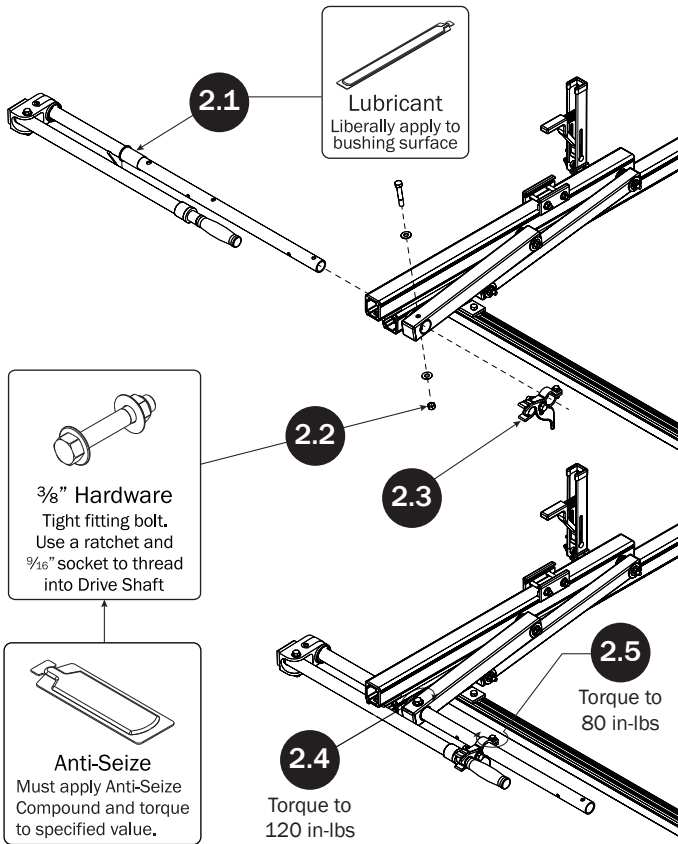


**CROSSBAR ADJUSTMENT**

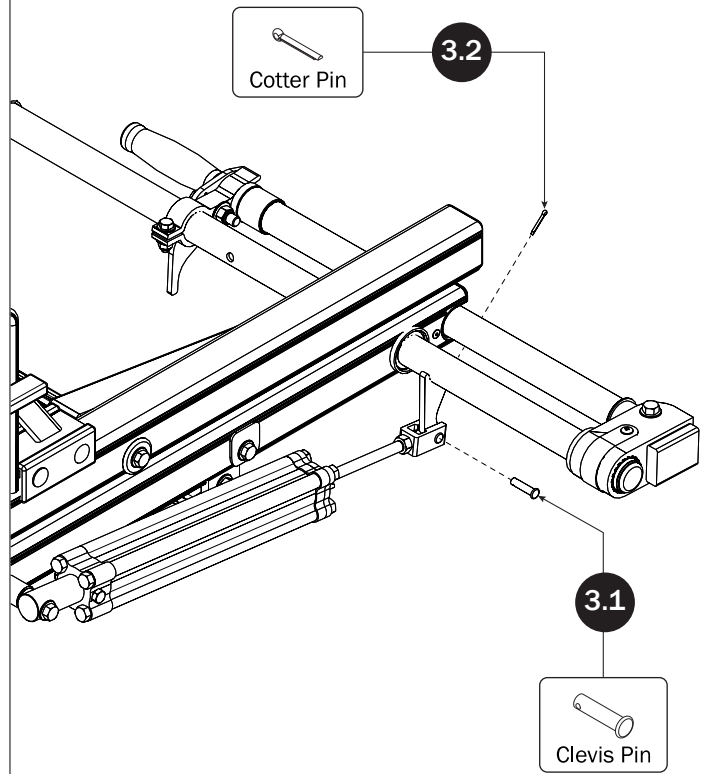




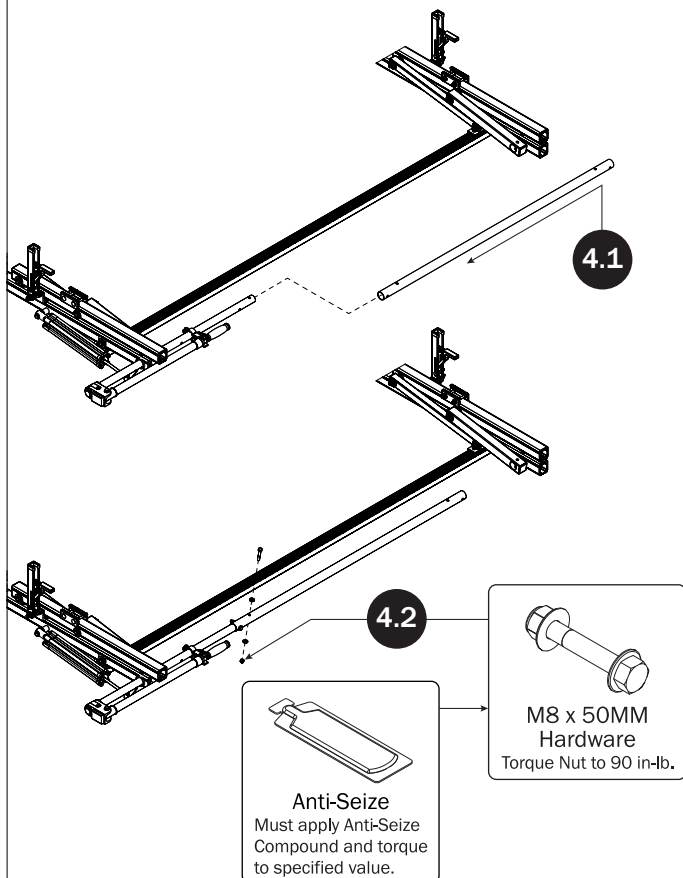
### REAR DRIVE SHAFT



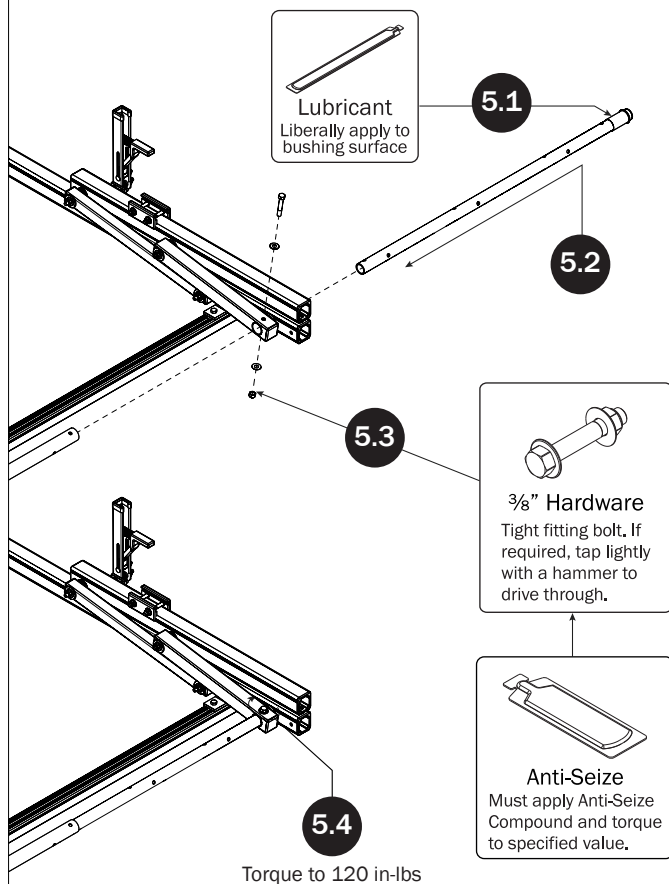
### CYLINDER HARDWARE



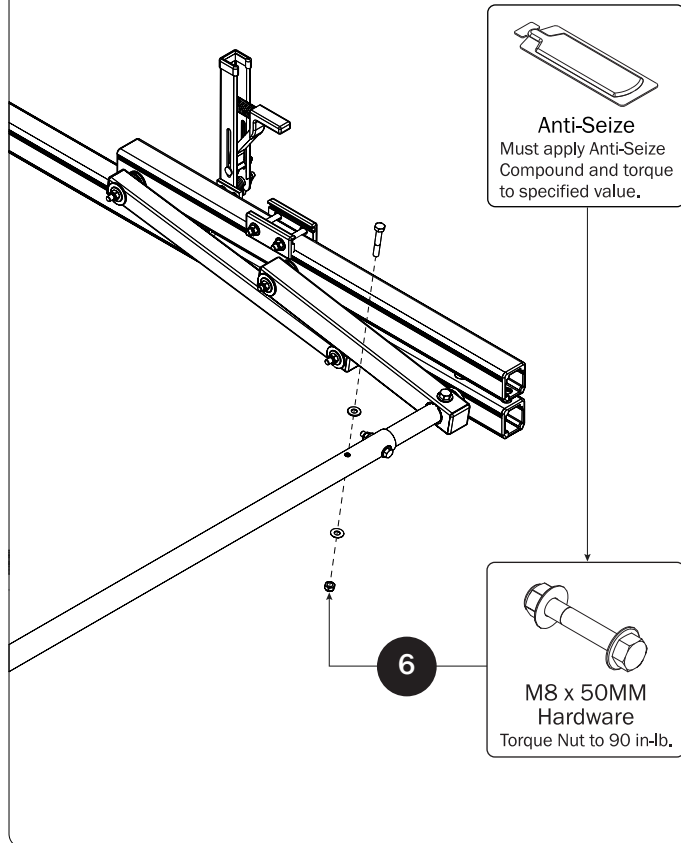
### CONNECTING BAR



### FRONT DRIVE SHAFT

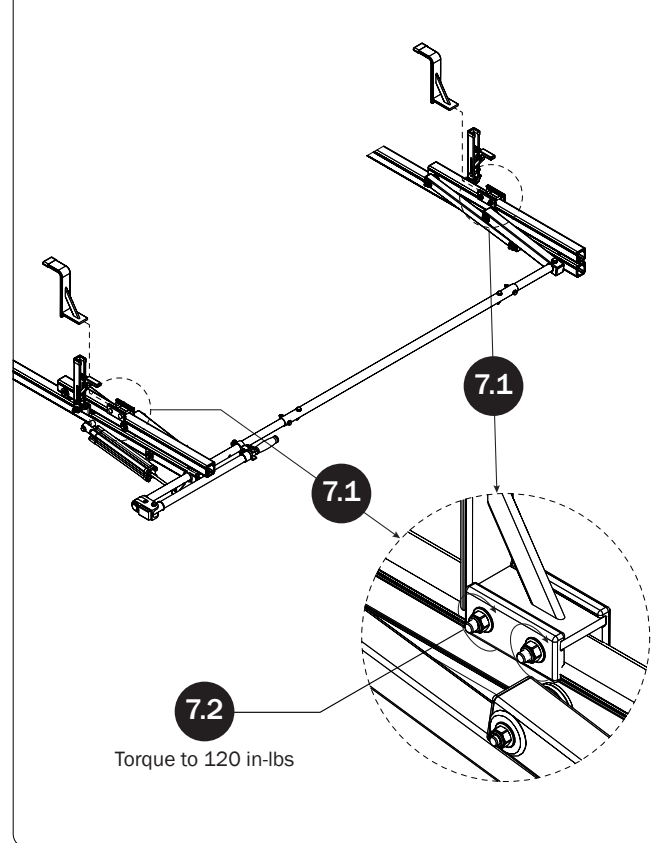


### CONNECTING BAR FASTENERS



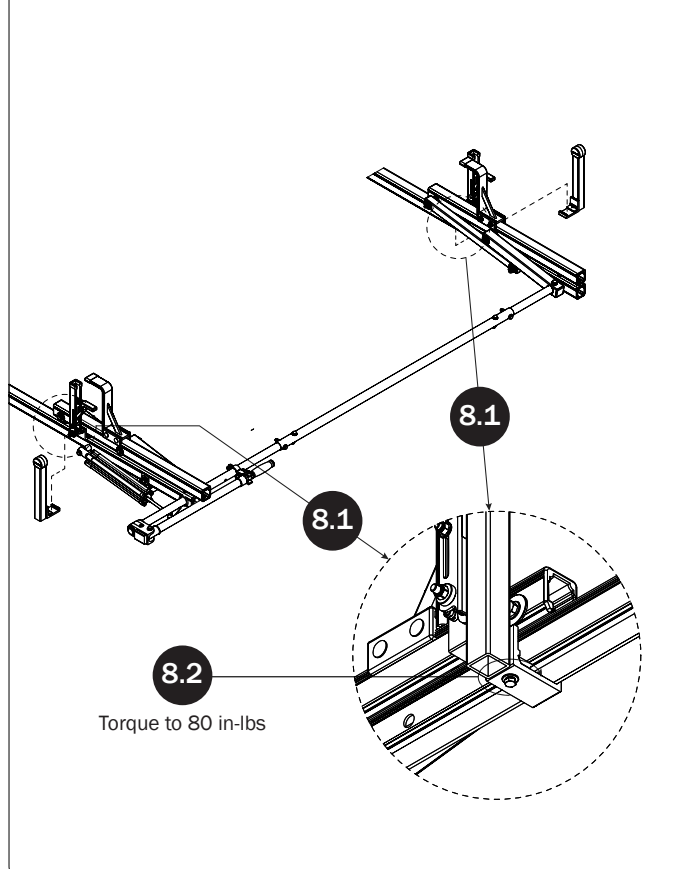
### Z POSTS

SEE QUICK START GUIDE FOR ADJUSTMENTS

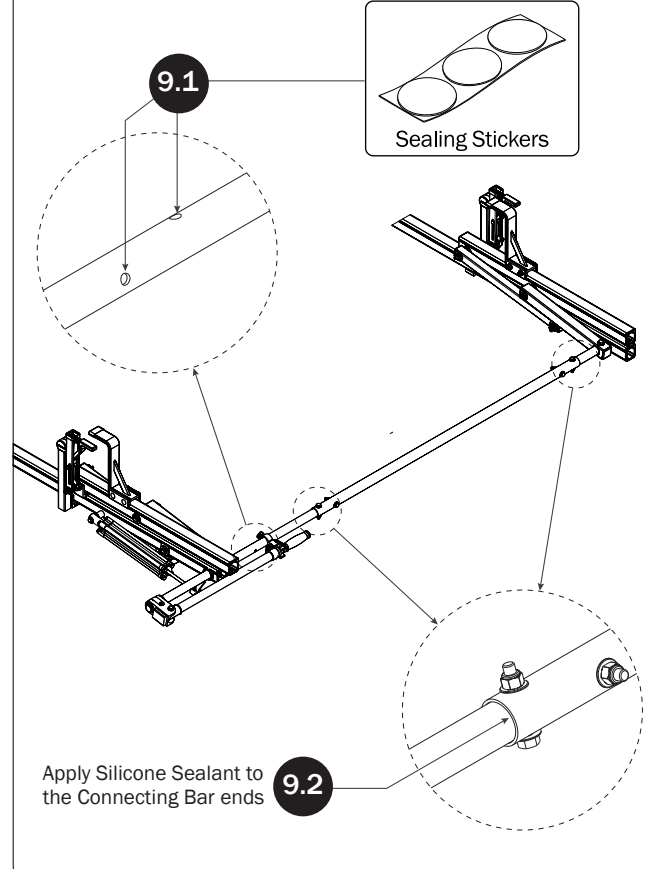


### L POSTS

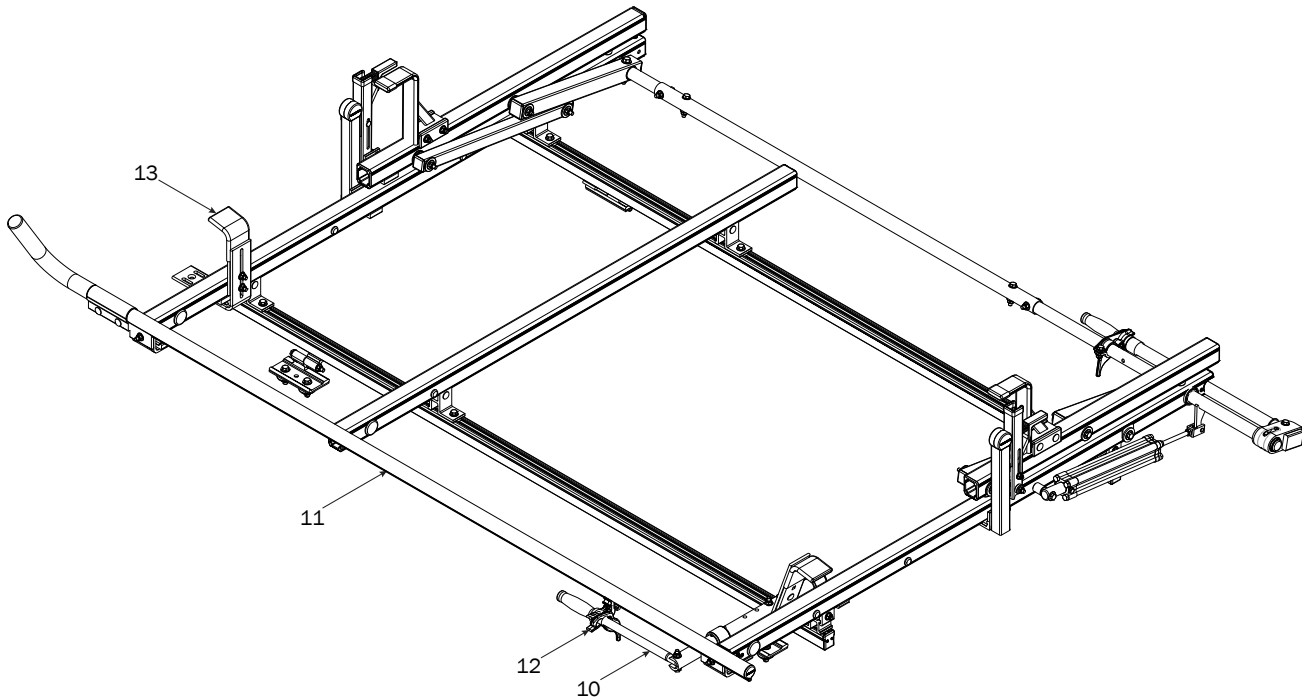
SEE QUICK START GUIDE FOR ADJUSTMENTS



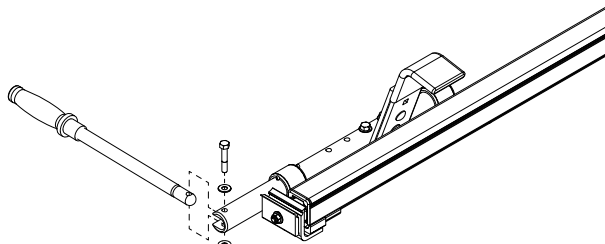
### DRIVE SHAFT SEALING



# LEFT CLAMP DOWN



## CLAMP DOWN HANDLE

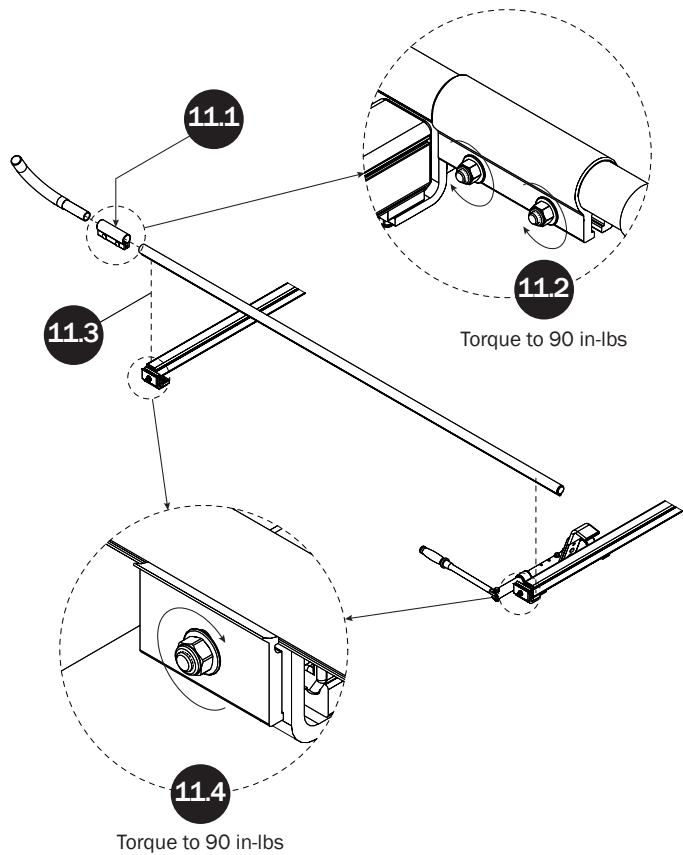


10

M8 x 45MM  
Hardware  
Torque Nut to 90 in-lb.

Anti-Seize  
Must apply Anti-Seize  
Compound and torque  
to specified value.

## CLAMP DOWN TUBE



11.1

11.2

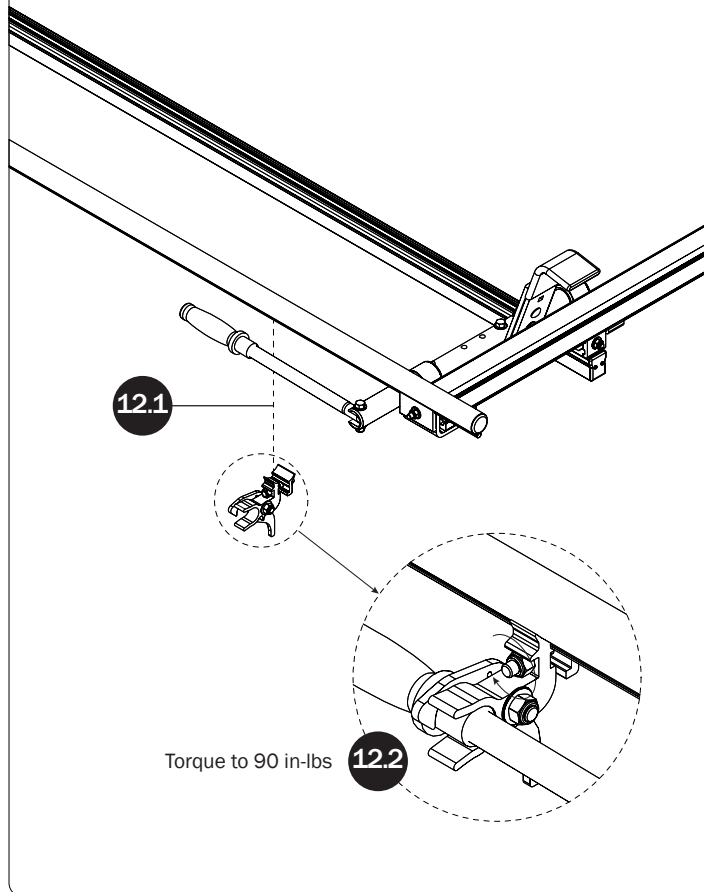
Torque to 90 in-lbs

11.3

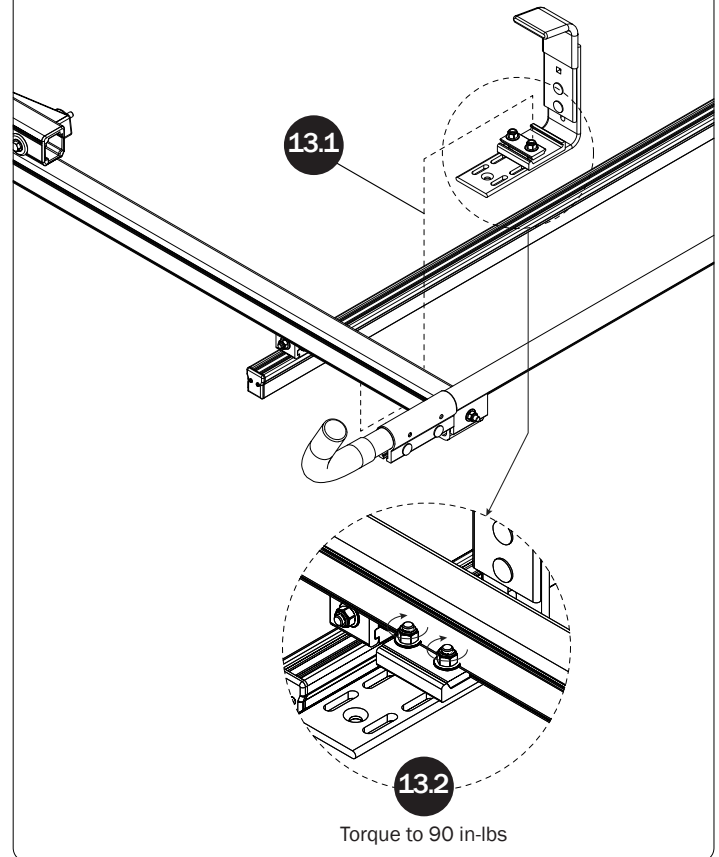
11.4

Torque to 90 in-lbs

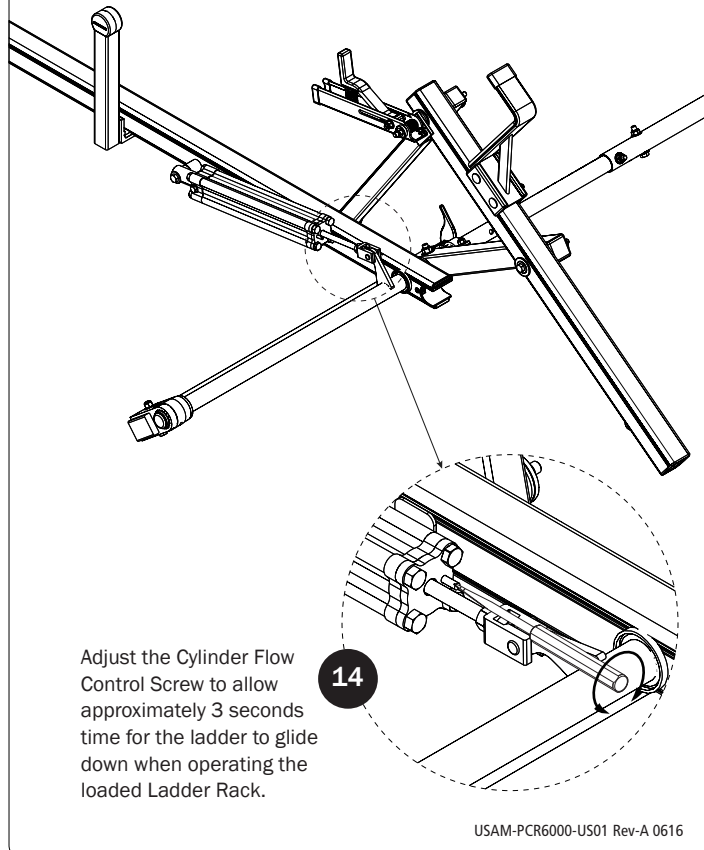
**HANDLE LATCH**



**FRONT LADDER HOOK**  
SEE QUICK START GUIDE FOR ADJUSTMENTS



**CYLINDER ADJUSTMENT**



USAM-PCR6000-US01 Rev-A 0616