

## PLR-8229

### DeployPro Lock N Go

Specifications on Page 2

#### *Configuration as shown:*

Extension Ladder Clamp System

Feature for DPS-8000/8001

Finish: White Powder Coat

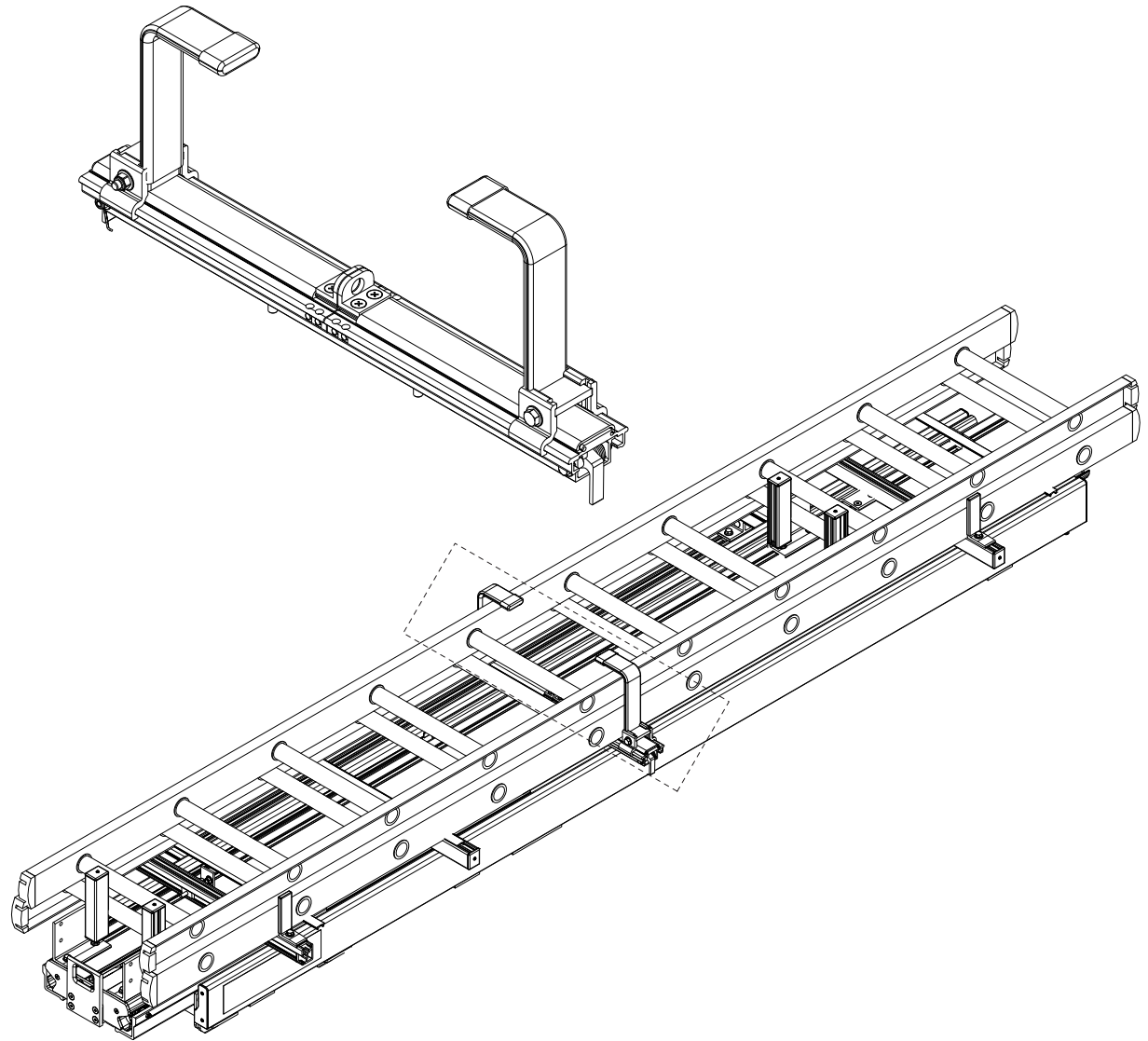
Rack Weight (empty): 6.50 lbs

#### *Load specifications as shown:*

Maximum Ladder Weight..... 75 lbs

Maximum Ladder Length..... 32 ft

Maximum Ladder Section ..... 16 ft



*\*Note: DeployPro purchased separately. For more information, please contact Sales & Support.*

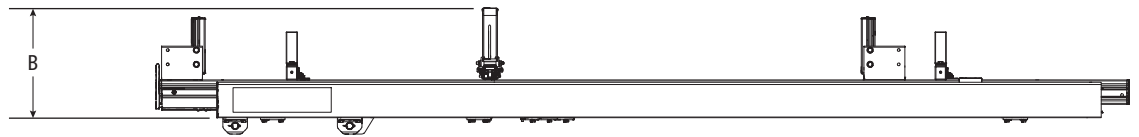
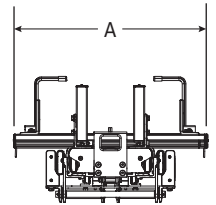
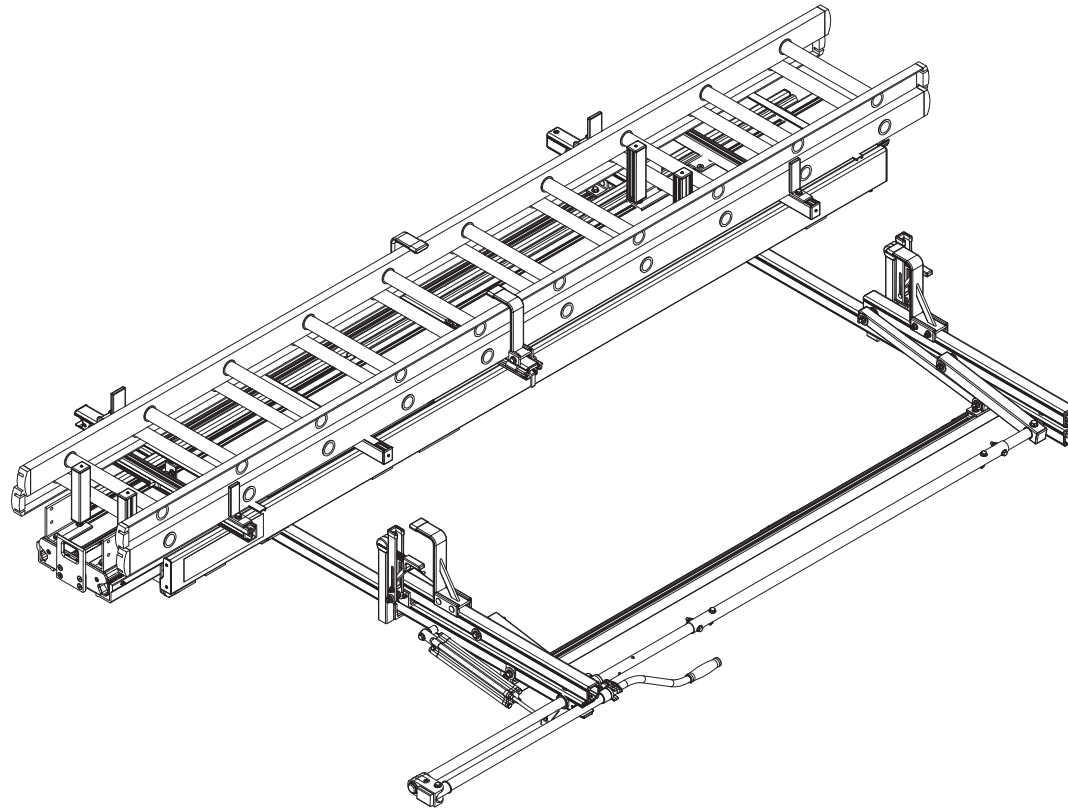
## PLR-8229

### DeployPro Lock N Go

*Approximate height as shown:*

A: Width ..... 23"

B: Total Height (DPS & PLR) ..... 13.25"



*\*Note: DeployPro and Ladder Rack purchased separately. For more information, please contact Sales & Support.*

*Assembly Manual also available:*

## PLR-8229

USOV-PLR8229-US01 Rev-B 0619