

# PRIME DESIGN™

A Safe Fleet Brand

## UXR-0006

### Utility Right Hand Rotation

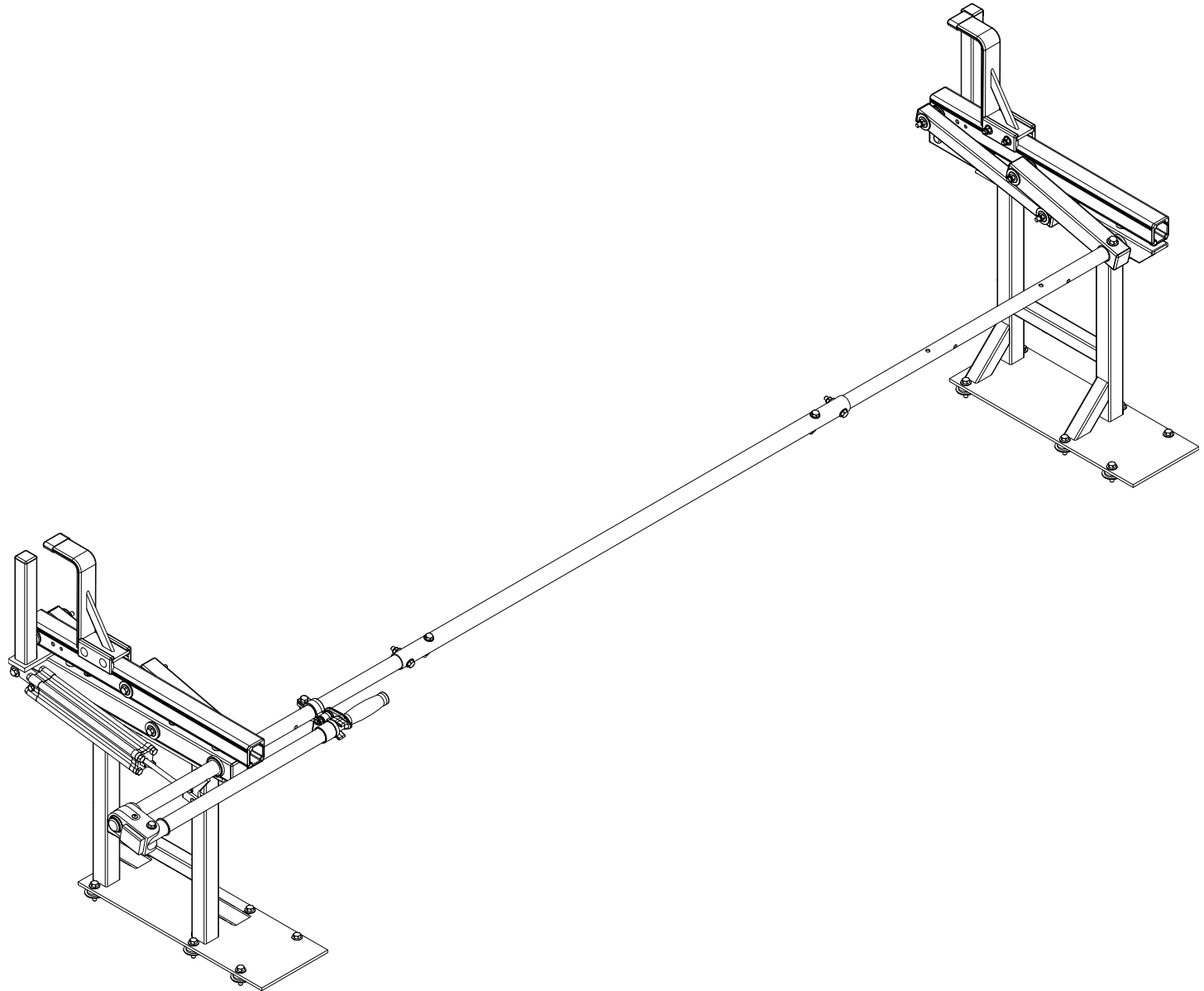
Dimensional Specifications on Page 2

#### Configuration as shown:

Rotation Assembly, Ver E, w/16" Short Handle  
UTB-2238 Utility Base Mount, Rear  
UTB-2239 Utility Base Mount, Front  
HKT-0129 Utility Stand Mount Hardware  
Finish: White Powder Coat  
Rack Weight (empty): 48.50 lbs

#### Load specifications as shown:

Maximum Ladder Weight RH ..... 75 lbs  
Maximum Ladder Length RH ..... 32 ft  
Maximum Ladder Section RH..... 16 ft

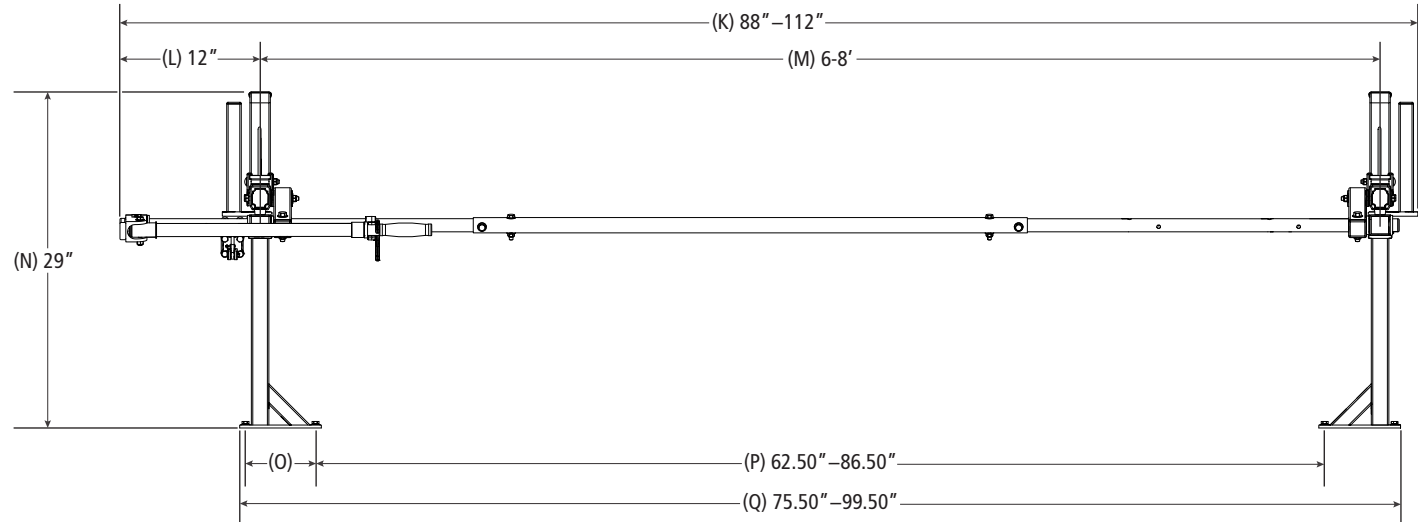
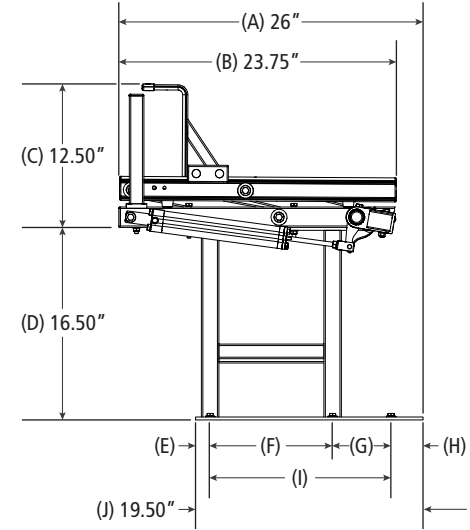
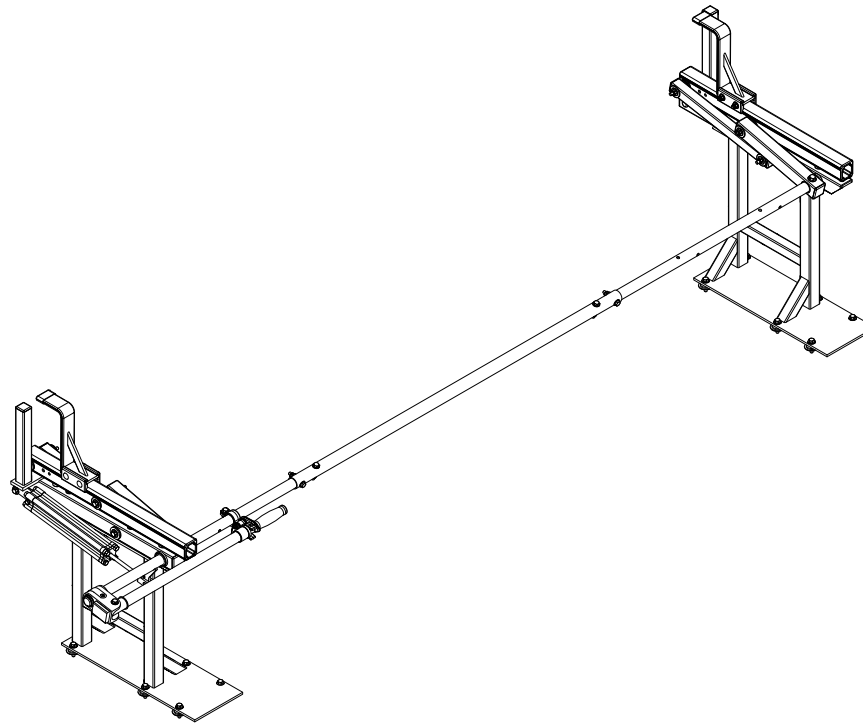


## UXR-0006

### Utility Right Hand Rotation

Approximate dimensions as shown:

A: Rack Width .....	26"
B: Upper Width.....	23.75"
C: Rotation Height.....	12.50"
D: Mounting Leg Height .....	16.50"
E: Mounting Hole Offset (Inner) .....	1.25"
F: Mounting Hole Spacing (Inner).....	10.50"
G: Mounting Hole Spacing (Outer) .....	5.00"
H: Mounting Hole Offset (Outer) .....	2.75"
I: Mounting Hole Spacing (Total).....	15.50"
J: Mounting Foot Length.....	19.50"
K: Rack Length.....	88"–112"
L: Drive Shaft Offset.....	12"
M: Crossbar Spacing.....	5'–8'
N: Rack Height.....	29"
O: Mounting Hole Spacing.....	6"
P: Mounting Hole (Inner) .....	62.50"–86.50"
Q: Mounting Spacing (Total) .....	75.50"–99.50"



Assembly Manual also available:

## UXR-0006

USOV-UXR0006-US01 Rev-A 0118