

# PRIME DESIGN™

A Safe Fleet Brand

## UXR-0012

### Utility Right Hand Rotation

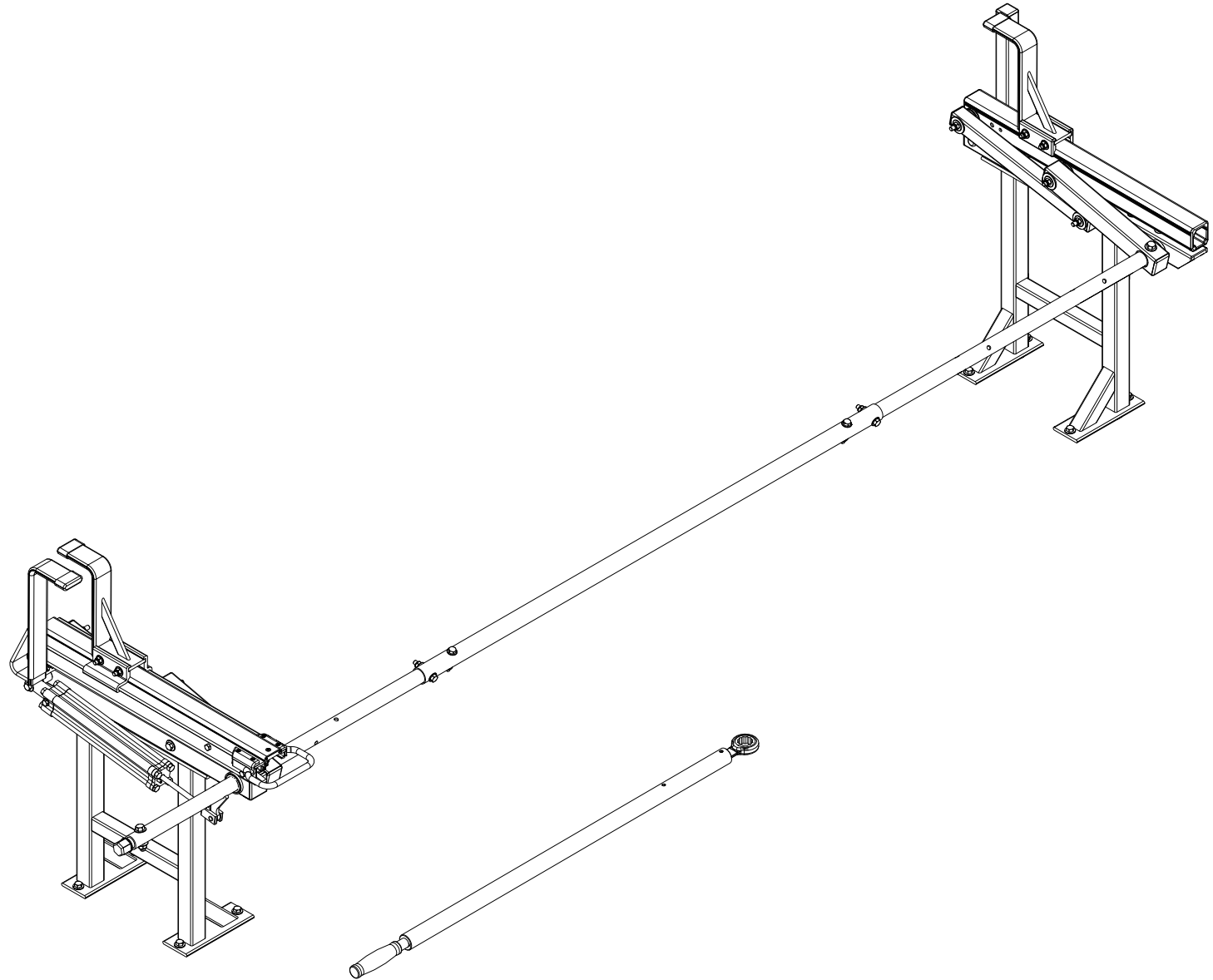
Dimensional Specifications on Page 2

#### Configuration as shown:

ELR-9019 Front Rotation Assembly, Ver E  
ELR-9038 Rear Rotation Assembly, Ver E  
w/41" Ratcheting Handle  
UTB-2316 Utility Base Mount System  
HKT-0122 Utility Stand Mount Hardware  
Finish: White Powder Coat  
Rack Weight (empty): 51.40 lbs

#### Load specifications as shown:

Maximum Ladder Weight RH ..... 75 lbs  
Maximum Ladder Length RH ..... 32 ft  
Maximum Ladder Section RH..... 16 ft

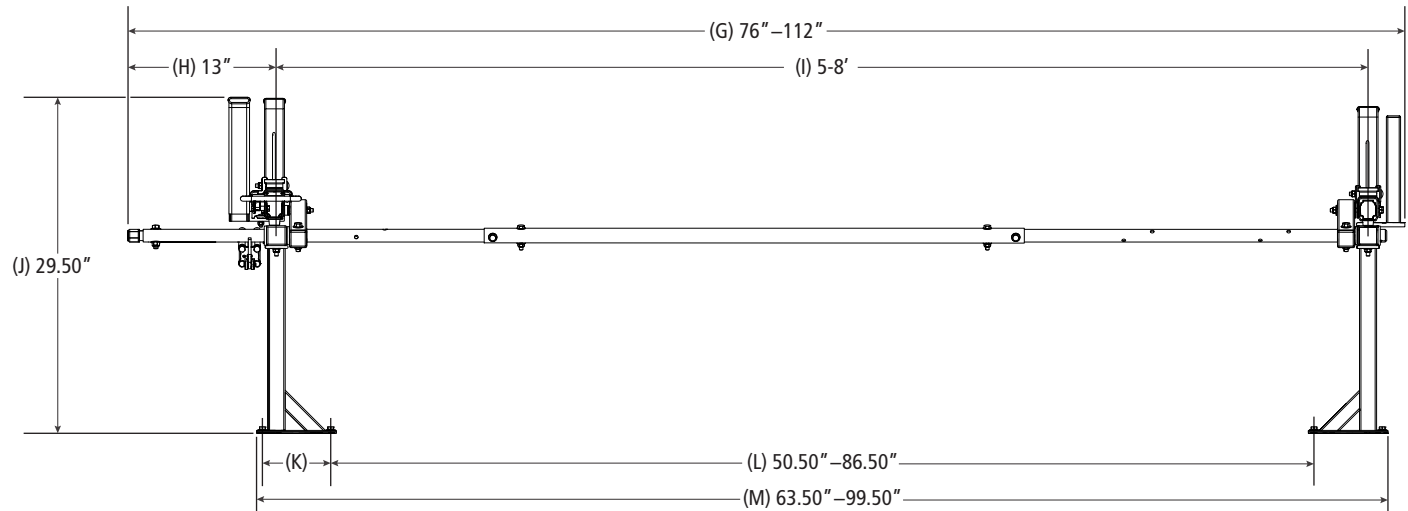
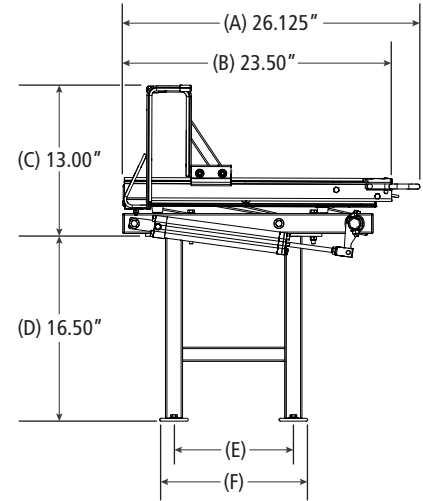
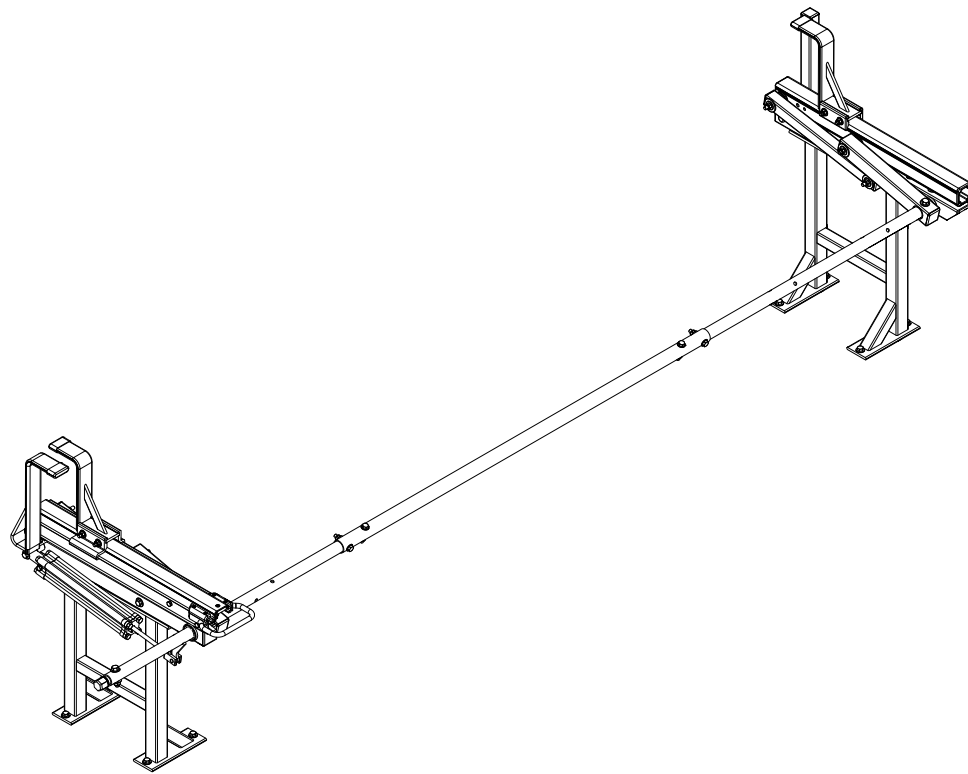


## UXR-0012

### Utility Right Hand Rotation

Approximate dimensions as shown:

- A: Rack Width ..... 26.125"
- B: Upper Width..... 23.50"
- C: Rotation Height..... 13.00"
- D: Mounting Leg Height ..... 16.50"
- E: Mounting Hole Spacing (F/B) ..... 10.50"
- F: Mounting Foot Spread (Outer)..... 13.00"
- G: Rack Length (Total) ..... 76"–112"
- H: Drive Shaft Offset..... 13"
- I: Crossbar Spacing..... 5'–8'
- J: Rack Height (Total)..... 29.50"
- K: Mounting Hole Spacing ..... 6"
- L: Mounting Hole (L/R Inner)..... 50.50"–86.50"
- M: Mounting Foot Spacing ..... 63.50"–99.50"



Assembly Manual also available:

## UXR-0012

USOV-UXR0012-US01 Rev-A 0418