

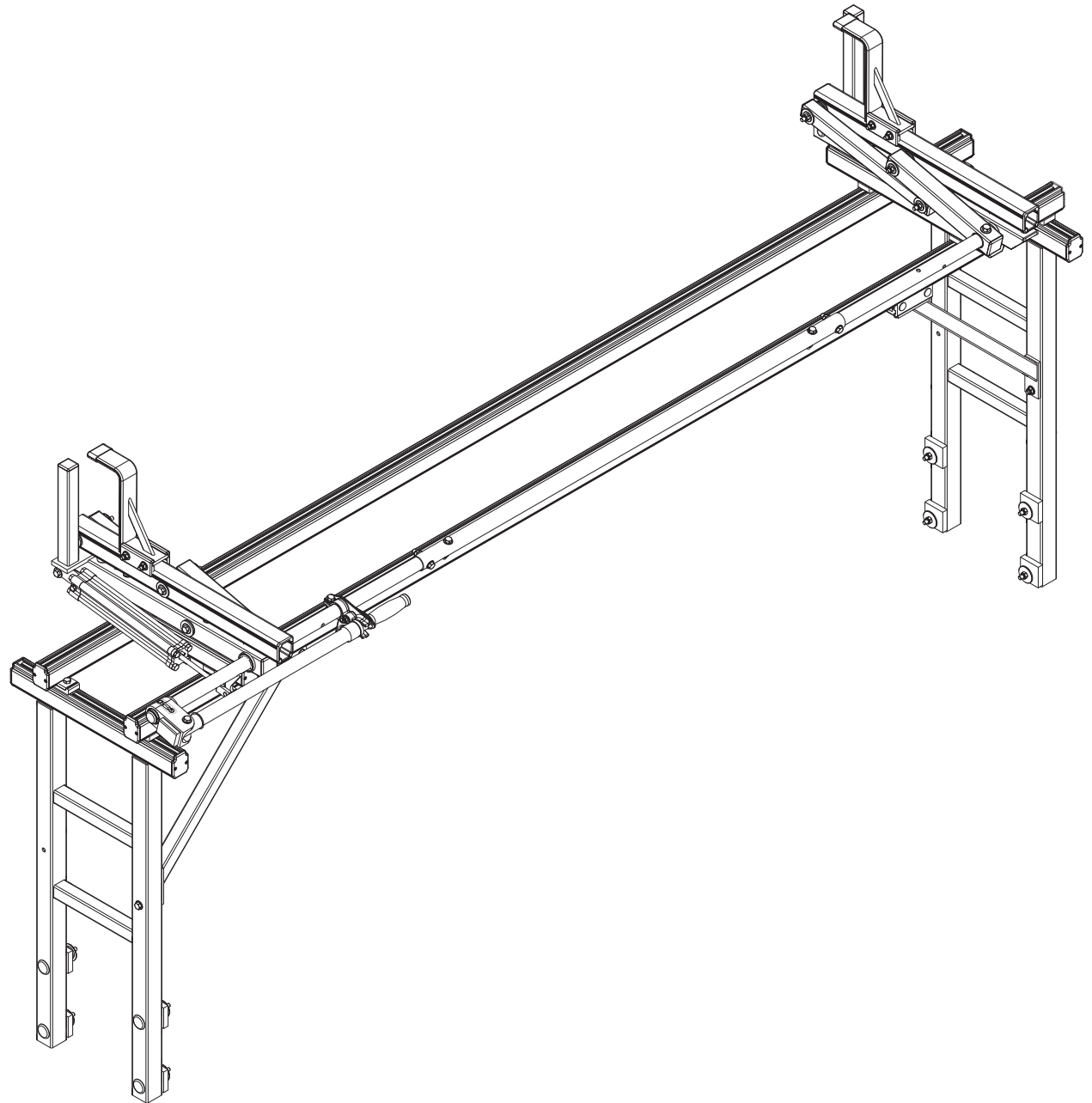
UXR-0015

Utility Right Hand Rotation

Dimensional Specifications on Page 2

Configuration as shown:

Rotation Assembly w/ Short Handle
FBM-0041 Vehicle-Specific Mounting System
ASH-8034 WorkPro Light Mount
HKT-0156 Utility Base Mounting Hardware Kit
HKT-8163 Rotation Hardware Kit
Finish: White Powder Coat
Rack Weight (empty): 85 lbs



ErgoRack—Load specifications:

NOTE: Rotation Configurations: 12 ft. step ladders require an extended upper add-on component.

Check vehicle manufacturer recommendations for roof capacity weight limits.

CROSSBAR SPACING	STEP LADDER	EXT. LADDER
4 ft Spacing	6 – 8 ft.	16 – 20 ft.
5 ft Spacing	8 – 10 ft.	16 – 24 ft.
6 ft Spacing	8 – 12 ft.†	16 – 28 ft.
7 ft Spacing	10 – 12 ft.†	20 – 32 ft.
8 ft Spacing	10 – 12 ft.†	20 – 36 ft.

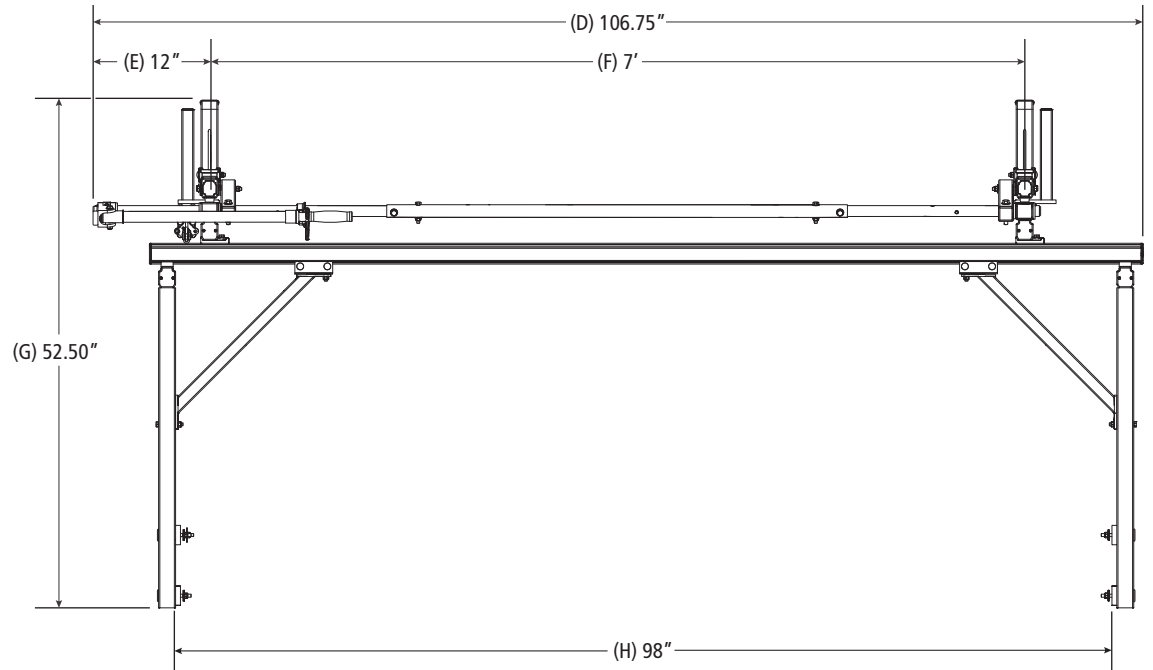
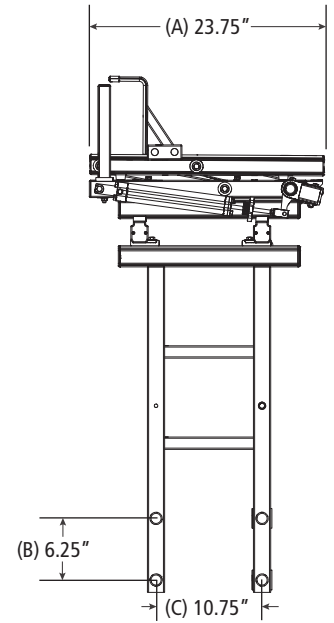
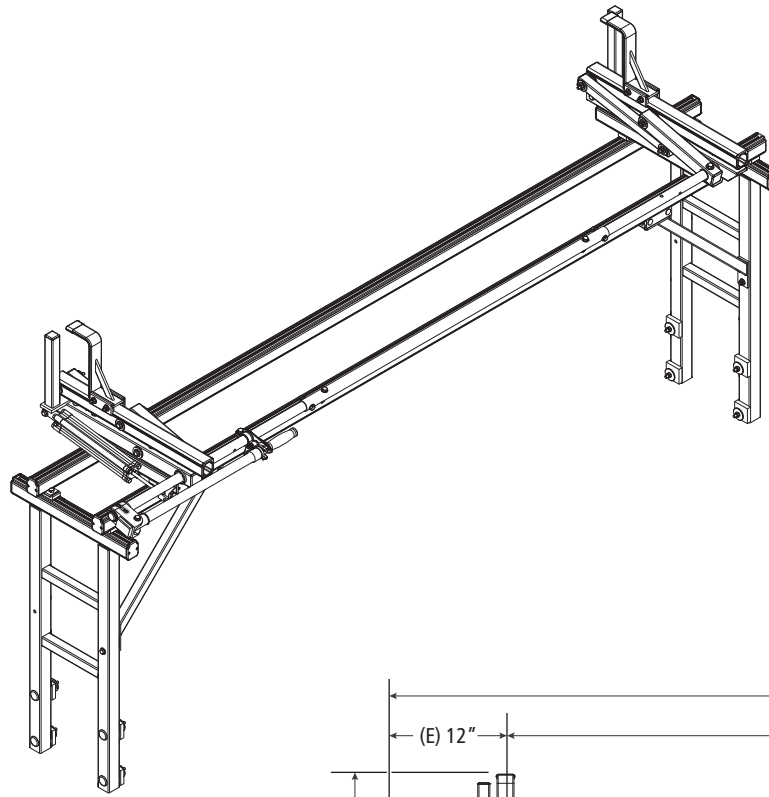
UXR-0015

Utility Right Hand Rotation

Approximate dimensions as shown:

A: Rack Width	23.75"
B: Mounting Bolt Center Distance	6.25"
C: Mounting Width.....	10.75"
D: Rack Length.....	106.75"
E: Offset*	12"
F: Crossbar Spacing	8'
G: Rack Height.....	52.50"
H: Mounting Spacing F/R.....	98"

* The rear drive shaft must not extend past the vehicle bumper. (See Offset)



Assembly Manual also available:

UXR-0015

USOV-UXR0015-US01 Rev-A 0719