

# PRIME DESIGN™

A Safe Fleet Brand

## UXV-219

### HD Vertical Utility ErgoRack Top Mount

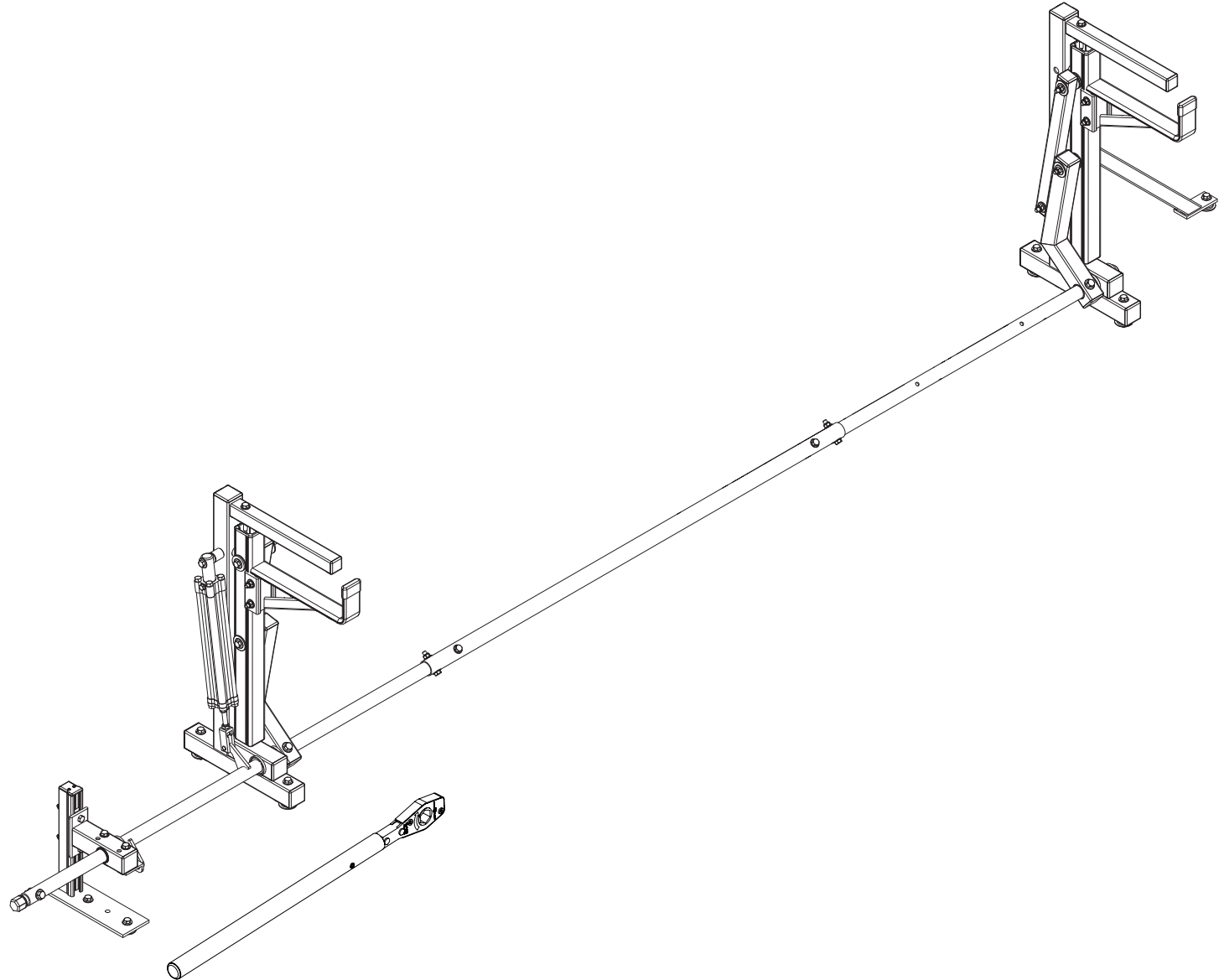
Dimensional Specifications on Page 2

#### Configuration as shown:

Rotation Right  
Two Vertical Uprights  
ELR-8285 Ratcheting Removable Handle Finish:  
White Powder Coat  
Overall Weight (empty): 48 lbs

#### Load specifications as shown:

Maximum Ladder Weight RH ..... 110 lbs  
Maximum Ladder Length RH ..... 32 ft  
Maximum Ladder Section RH ..... 16 ft

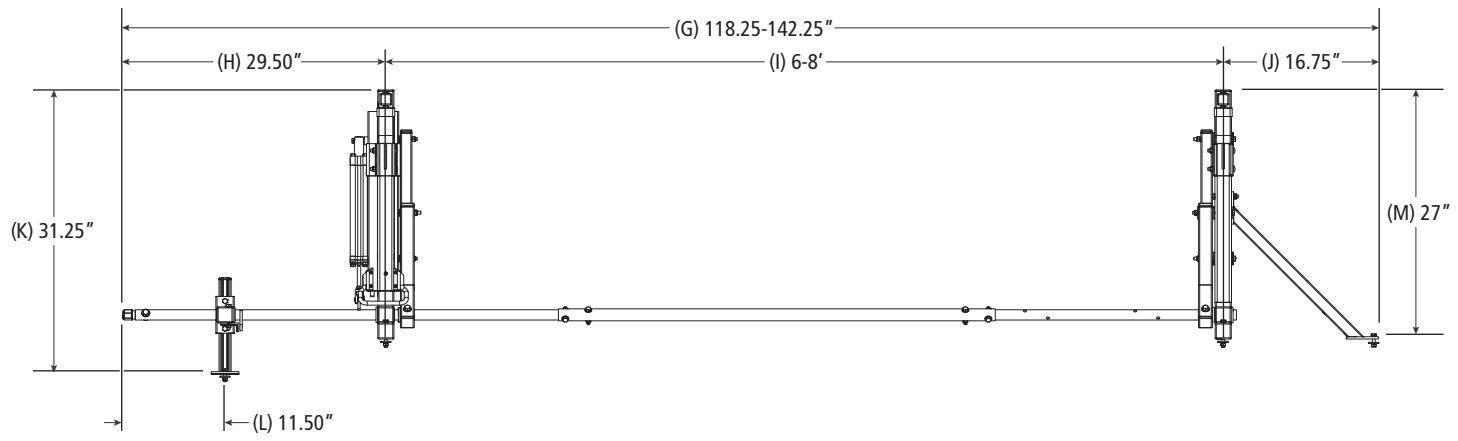
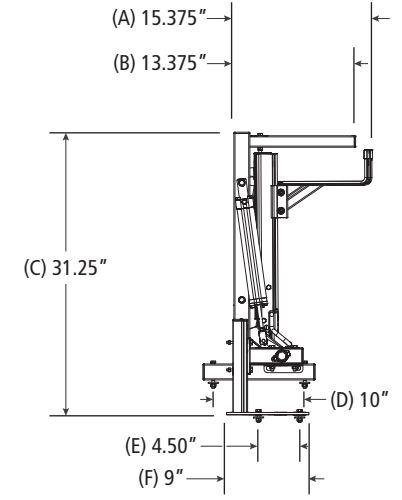
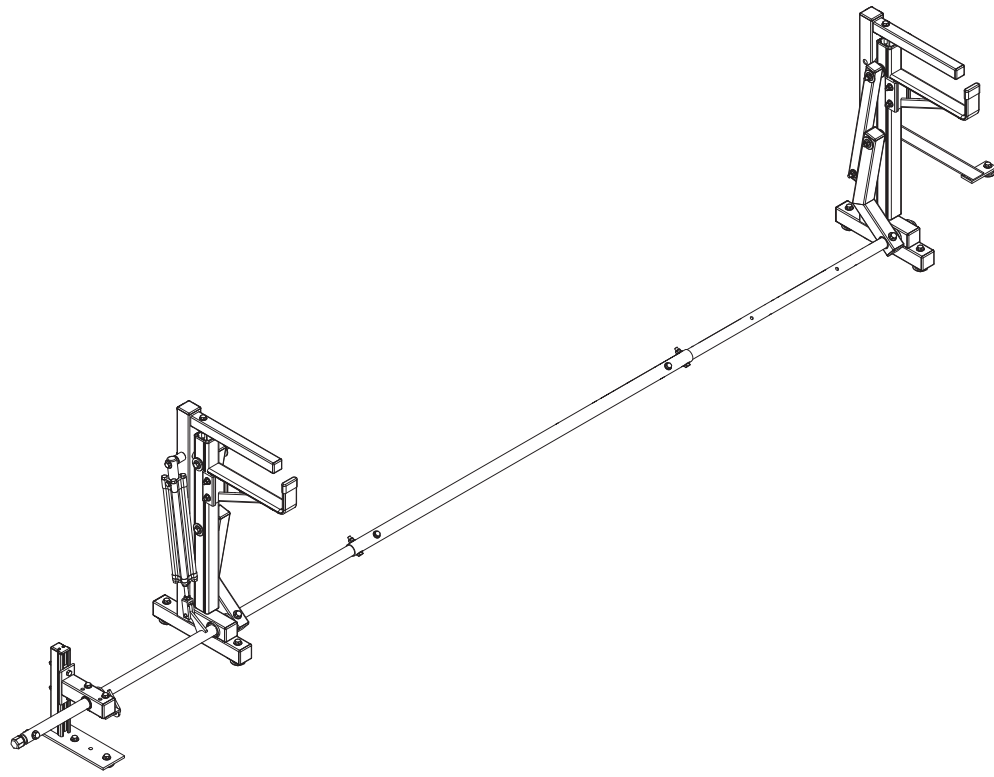


## UXV-219

### HD Vertical Utility ErgoRack Top Mount

Approximate dimensions as shown:

A: Rack Width .....	15.375"
B: Upper Post Width .....	13.375"
C: Total Rack Height .....	31.25"
D: Upright Mounting Bolt Spread .....	10"
E: Mounting Foot Bolt Spread .....	4.50"
F: Mounting Foot Length .....	9"
G: Rack Length .....	118.25-142.25"
H: Drive Shaft Offset .....	29.50"
I: Upright Spacing .....	6-8'
J: Mount Brace Offset .....	16.75"
K: Rear Rack Height .....	31.25"
L: Rear Drive Shaft Support Offset .....	11.50"
M: Front Rack Height .....	27"



Assembly Manual also available:

## UXV-219

USOV-UXV219-US01 Rev-A 0621