

VBB3-FT-HM

ErgoRack, Ford Transit Low Roof

Three Crossbars, Powder Coat Finish
Rack Weight (empty): 41–48 lbs

*Callouts in this Configuration Overview indicate full module assemblies only.

For details on individual parts, please refer to the linked Module Overviews below.

A: [FBM-1017-BLK Mounting System](#)

B: [CBA-3009 Hybrid Crossbar Assembly](#)

[Modular Assembly Manuals](#)

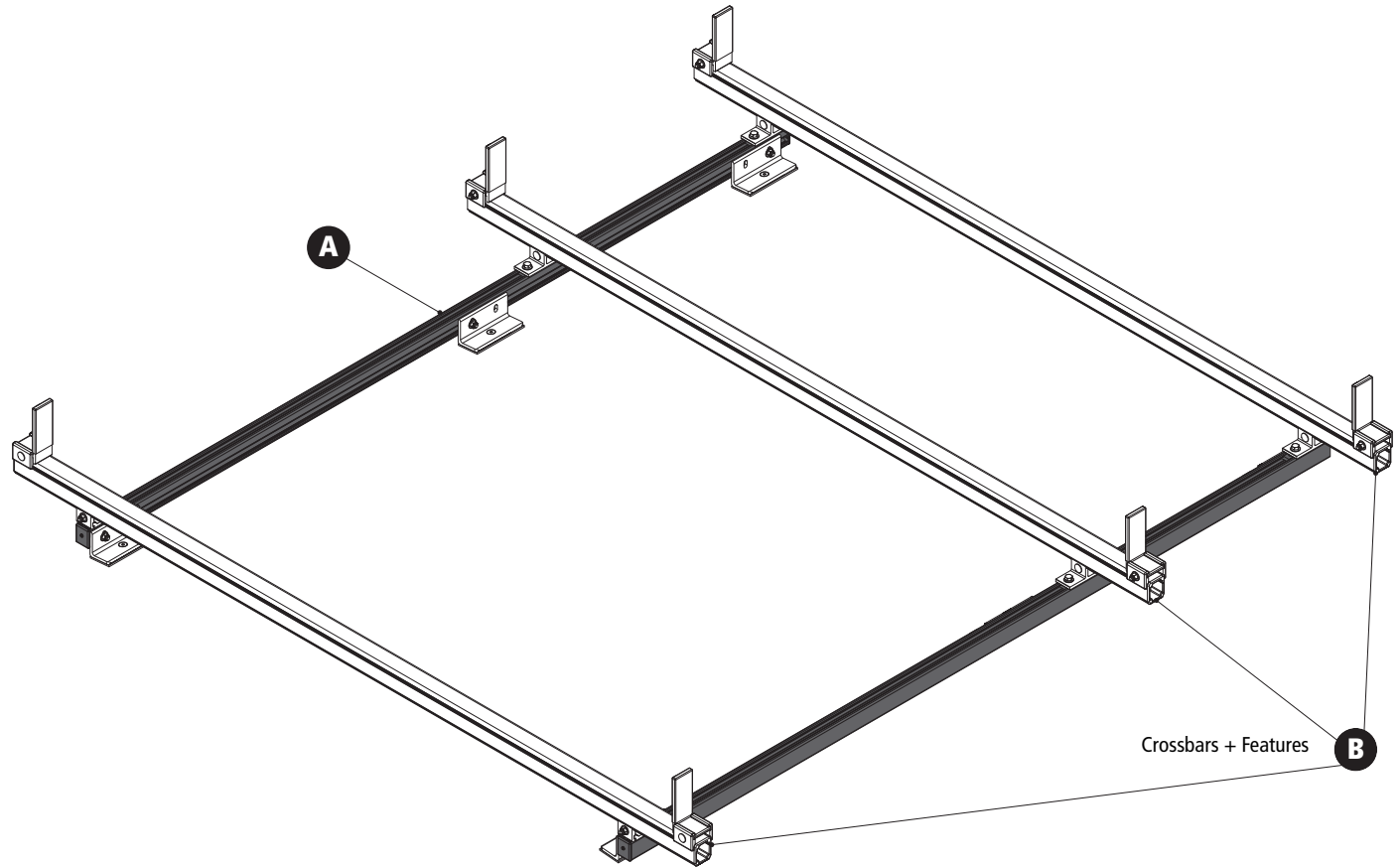
ErgoRack Van—Load specifications:

Check vehicle manufacturer recommendations for roof capacity weight limits.

CROSSBAR SPACING	STEP LADDER	EXT. LADDER
4 ft Spacing	6 – 8 ft.	16 – 20 ft.
5 ft Spacing	8 – 10 ft.	16 – 24 ft.
6 ft Spacing	8 – 12 ft. [†]	16 – 28 ft.
7 ft Spacing	10 – 12 ft. [†]	20 – 32 ft.
8 ft Spacing	10 – 12 ft. [†]	20 – 36 ft.

[†]Rotation Configurations: 12 ft. step ladders require an extended upper add-on component.

*Example shown with 130" Wheelbase Configuration



VBB3-FT-HM

ErgoRack, Ford Transit Low Roof

Approximate dimensions as shown:

All Wheelbases

A: Rack Width	72"
B: Rack Height	10"
C: Rear Crossbar Offset (L & R)	Even
D: Mount Bolt Spacing L/R.....	54"

130" Wheelbase

E: Crossbar Spacing (rear to center)	2'-4'
F: Crossbar Spacing (center to front)	2'-4'
G: Total Crossbar Spacing	6'
H: Rack Length	75.25"

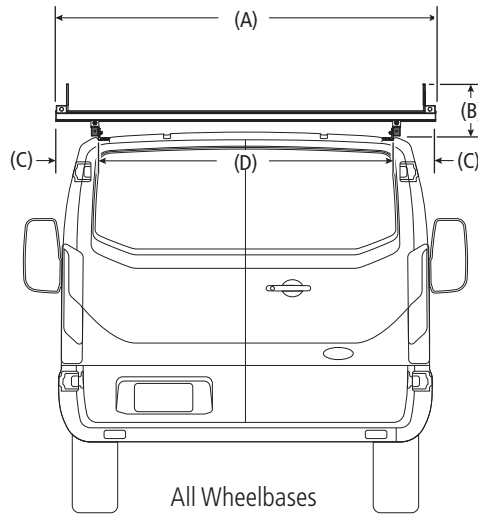
148" Wheelbase

I: Crossbar Spacing (rear to center)	2'-4'
J: Crossbar Spacing (center to front).....	2'-4'
K: Total Crossbar Spacing	8'
L: Rack Length	99"

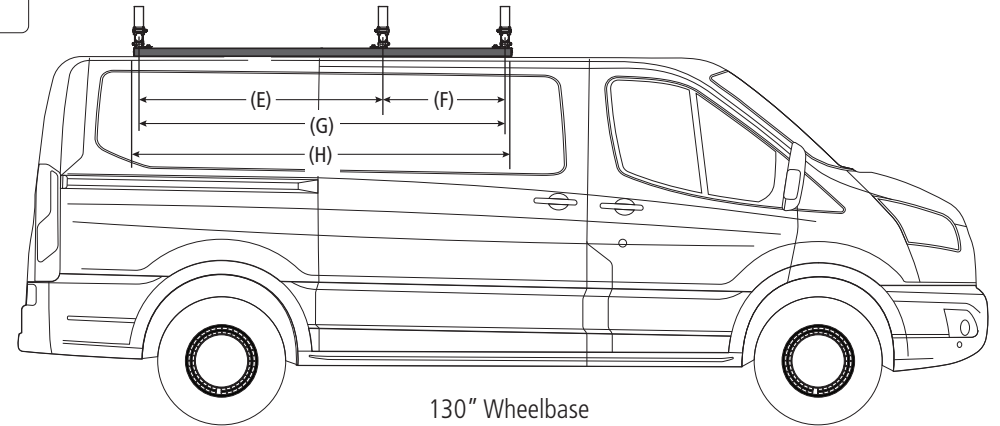
Compatible Accessories Available

(Sold Separately)

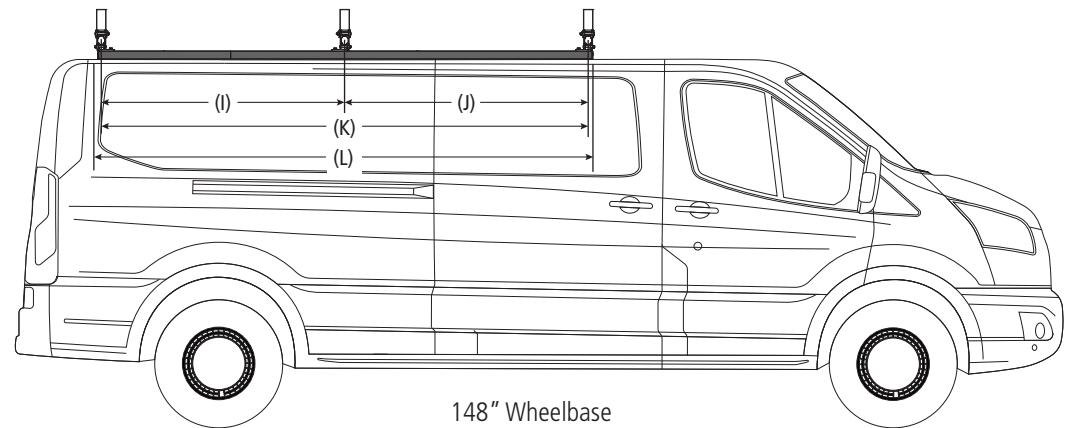
Retractable Ratchet Tie-Down	ACC-8000
Rear Access Ladder.....	AAL Series
8'-12' Conduit Carriers.....	CON Series
WorkPro LED Lighting.....	LED Series
Systems and Safety Components	RVS Series
Safety monitoring.....	DS2 Series



All Wheelbases



130" Wheelbase



148" Wheelbase