

## VCB-ME-M

### ErgoRack, Mercedes Metris

Two Crossbars, Powder Coat Finish  
Rack Weight (empty): 44 lbs

\*Callouts in this Configuration Overview indicate full module assemblies only.

For details on individual parts, please refer to the linked Module Overviews below.

- A: ..... [FEA-0001 End Stop Assembly](#)
- B: ..... [FBM-1015-BLK Mounting System](#)
- C: ..... [CBR-0003 Crossbar Assembly](#)
- D: ..... [FEA-0008 Clamp Down Assembly](#)

[Modular Assembly Manuals](#)

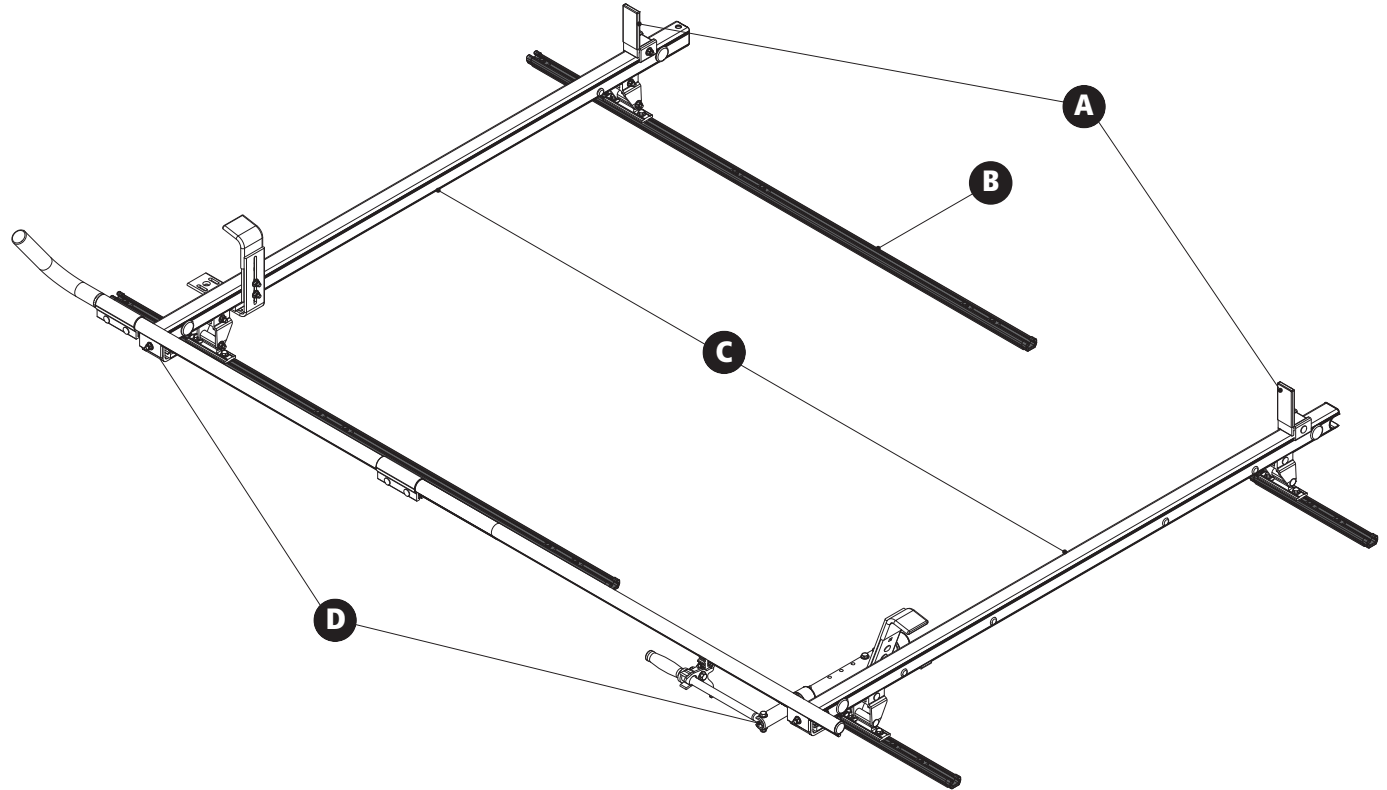
### ErgoRack Van—Load specifications:

Check vehicle manufacturer recommendations for roof capacity weight limits.

CROSSBAR SPACING	STEP LADDER	EXT. LADDER
4 ft Spacing	6 – 8 ft.	16 – 20 ft.
5 ft Spacing	8 – 10 ft.	16 – 24 ft.
6 ft Spacing	8 – 12 ft. <sup>†</sup>	16 – 28 ft.
7 ft Spacing	10 – 12 ft. <sup>†</sup>	20 – 32 ft.
8 ft Spacing	10 – 12 ft. <sup>†</sup>	20 – 36 ft.

<sup>†</sup>Rotation Configurations: 12 ft. step ladders require an extended upper add-on component.

\*Example shown with 126" Wheelbase Configuration



## VCB-ME-M

### ErgoRack, Mercedes Metris

Approximate dimensions as shown:

#### All Wheelbases

A: Rack Width .....	70"
B: Rack Height .....	14"
C: Rear Crossbar Offset (L&R) .....	Even
D: Mount Spacing L/R.....	Set at install

#### 126" Wheelbase

E: Crossbar Spacing (rear to center) .....	6'–8'
F: Rack Length .....	108"–110"

#### 135" Wheelbase

G: Total Crossbar Spacing .....	6'–8'
H: Rack Length.....	113"–115"

#### Compatible Accessories Available

(Sold Separately)

Retractable Ratchet Tie-Down .....	<a href="#">ACC-8000</a>
Rear Access Ladder.....	<a href="#">AAL Series</a>
8'–12' Conduit Carriers.....	<a href="#">CON Series</a>
WorkPro LED Lighting.....	<a href="#">LED Series</a>
Systems and Safety Components .....	<a href="#">RVS Series</a>
Safety monitoring.....	<a href="#">DS2 Series</a>

