

PRIME DESIGN™

A Safe Fleet Brand

VCC-ME-M

Van Rack, 2016+ Mercedes Metris

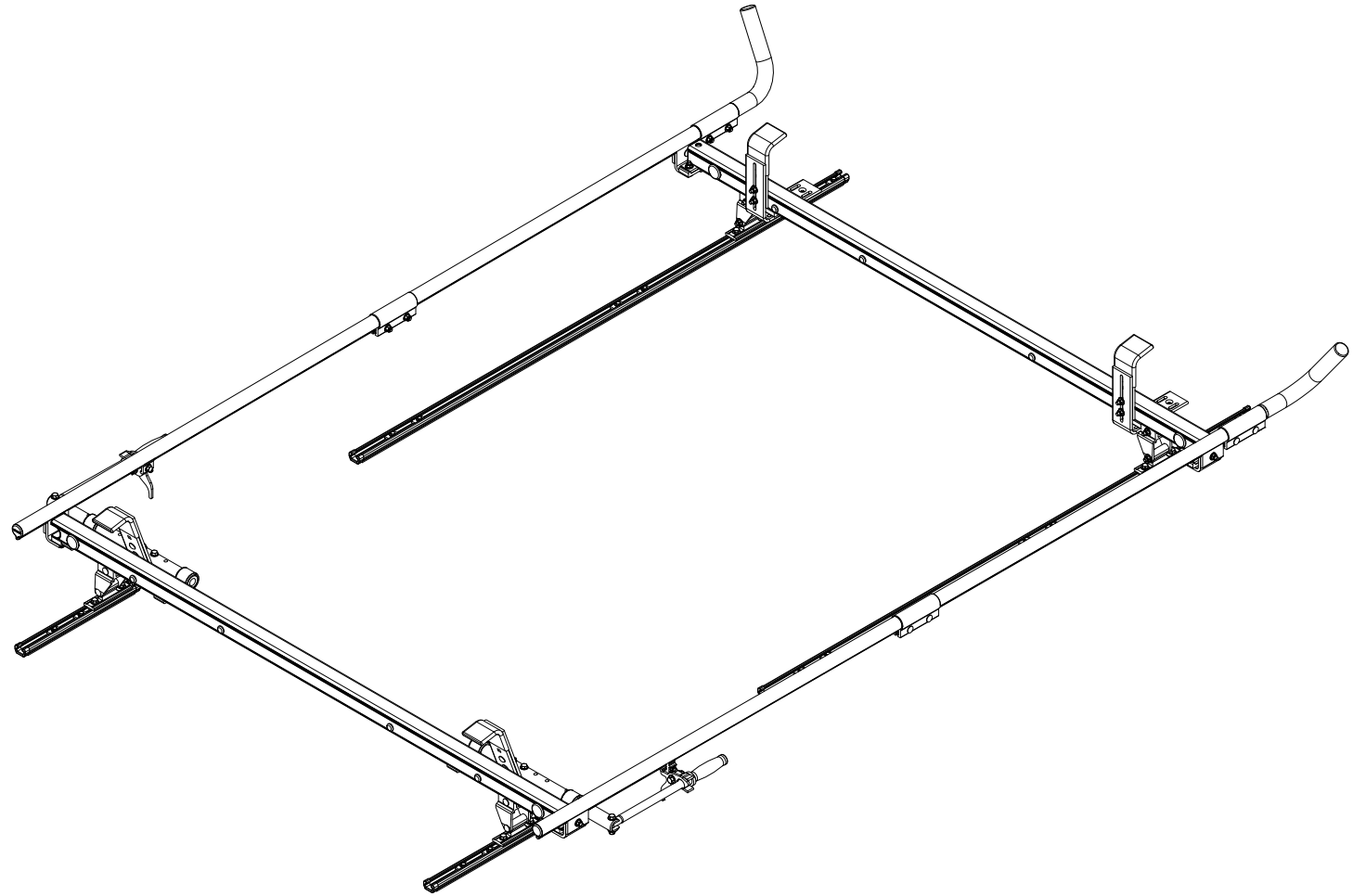
Dimensional Specifications on Pages 5 & 6

Configuration as shown:

Clamp Down Left/Clamp Down Right
Two Crossbars, US Gen4
Finish: White Powder Coat
FBM-1015-BLK Mounting System
CBR-0003 Crossbar Feature
FEA-0001 Ladder Stop Feature
FEA-0008 Clamp Down Feature (x2)
Rack Weight (empty): 72.25 lbs

Load specifications as shown:

Maximum Ladder Weight LH..... 75 lbs
Maximum Ladder Length LH..... 32 ft
Maximum Ladder Section LH 16 ft
Maximum Ladder Weight RH 75 lbs
Maximum Ladder Length RH 32 ft
Maximum Ladder Section RH..... 16 ft

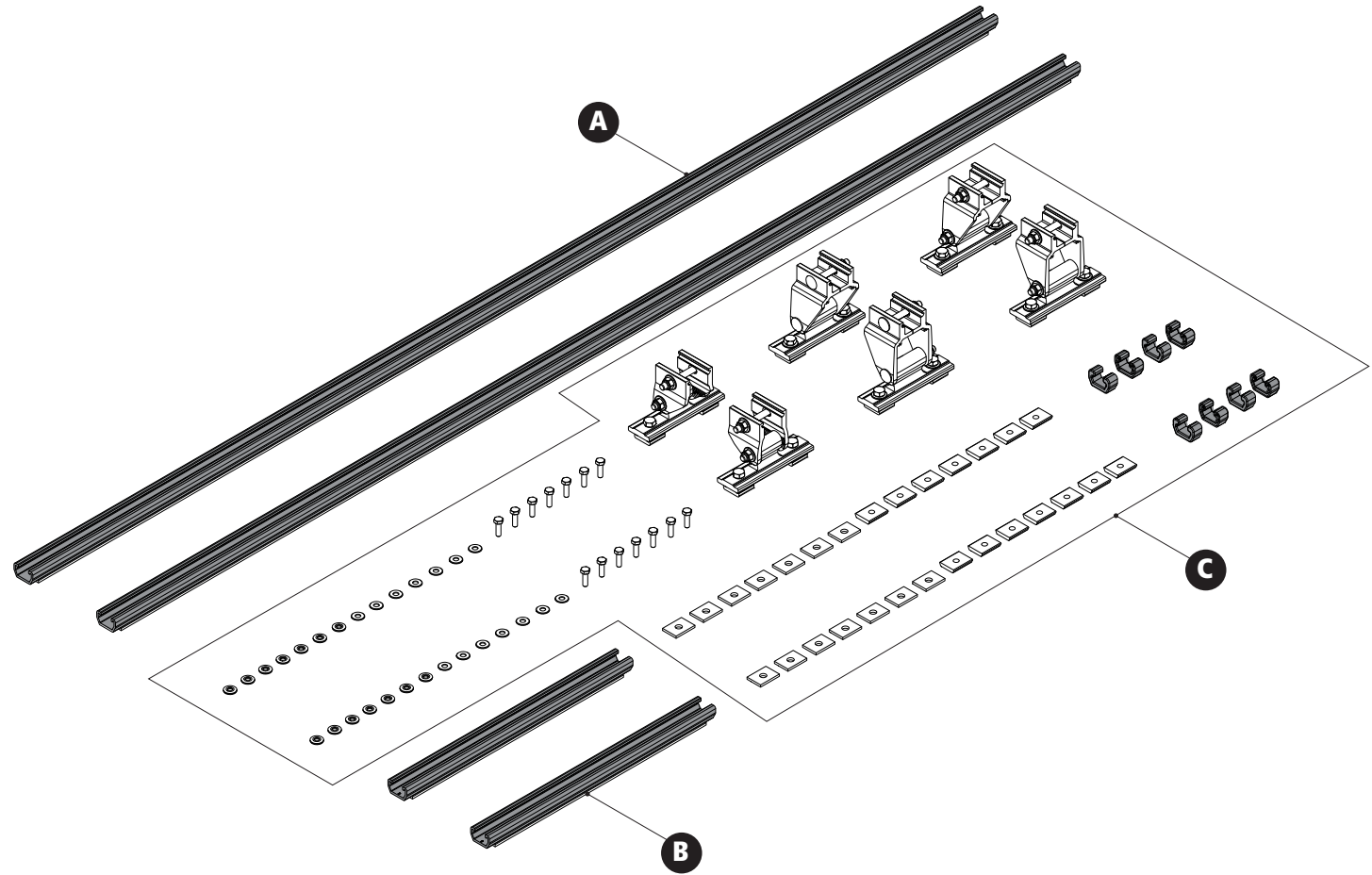


FBM-1015

2016 Mercedes Metris
Base Mount Module, L2H1/L3H1

Configuration as shown:

Three Crossbar Mounting, US Gen4
Finish: White Powder Coat
HKT-8014 Hardware
Kit Weight: 9.25 lbs



Assembly Manual also available:

FBM-1015

USOV-FBM1015-US01 Rev-C 0718

PRIME DESIGN™

A Safe Fleet Brand

CBR-0003

Crossbar Module

Configuration as shown:

Rotation Left/Rotation Right, US Gen4

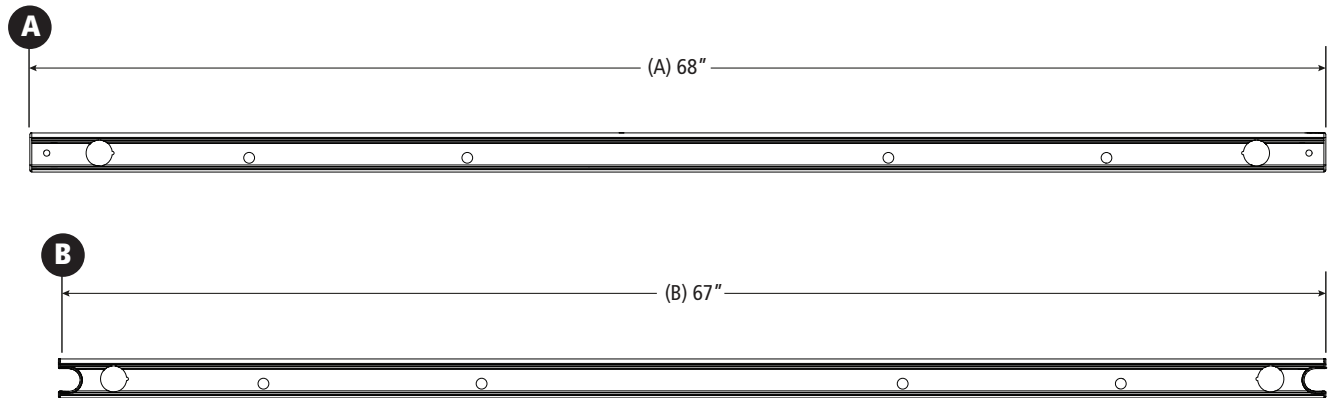
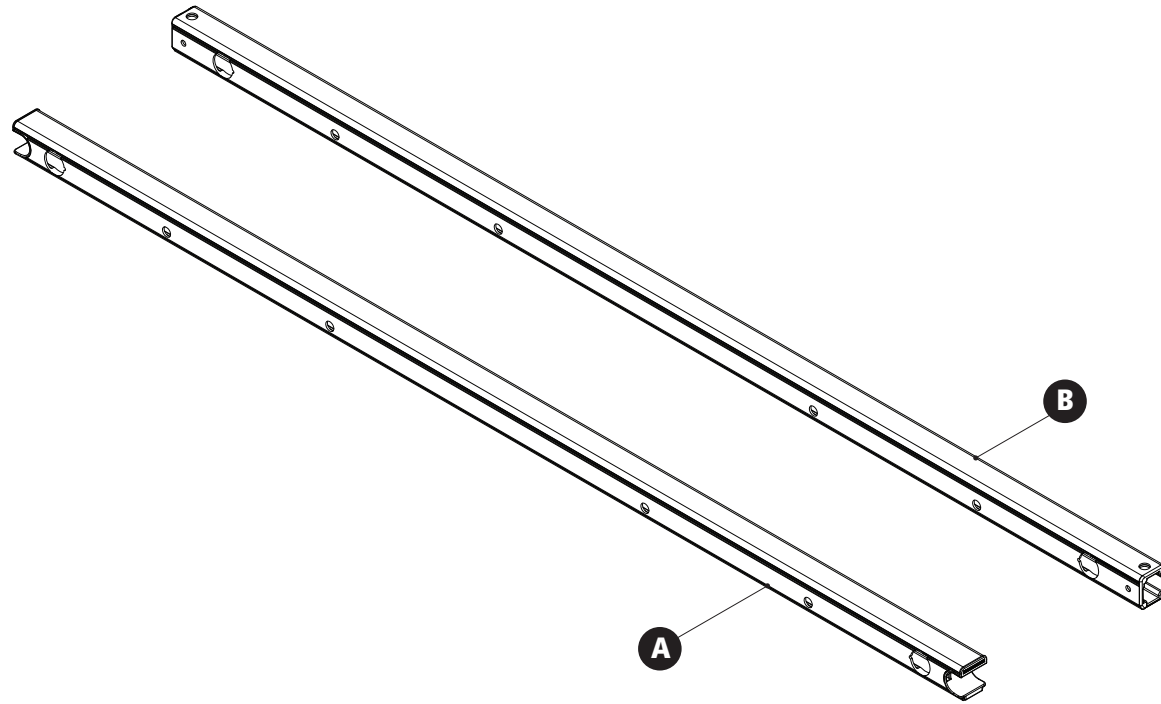
Finish: White Powder Coat

Weight: 13 lbs

Approximate dimensions as shown:

A: Front Crossbar Length 68"

B: Rear Crossbar Length 67"



Assembly Manual also available:

CBR-0003

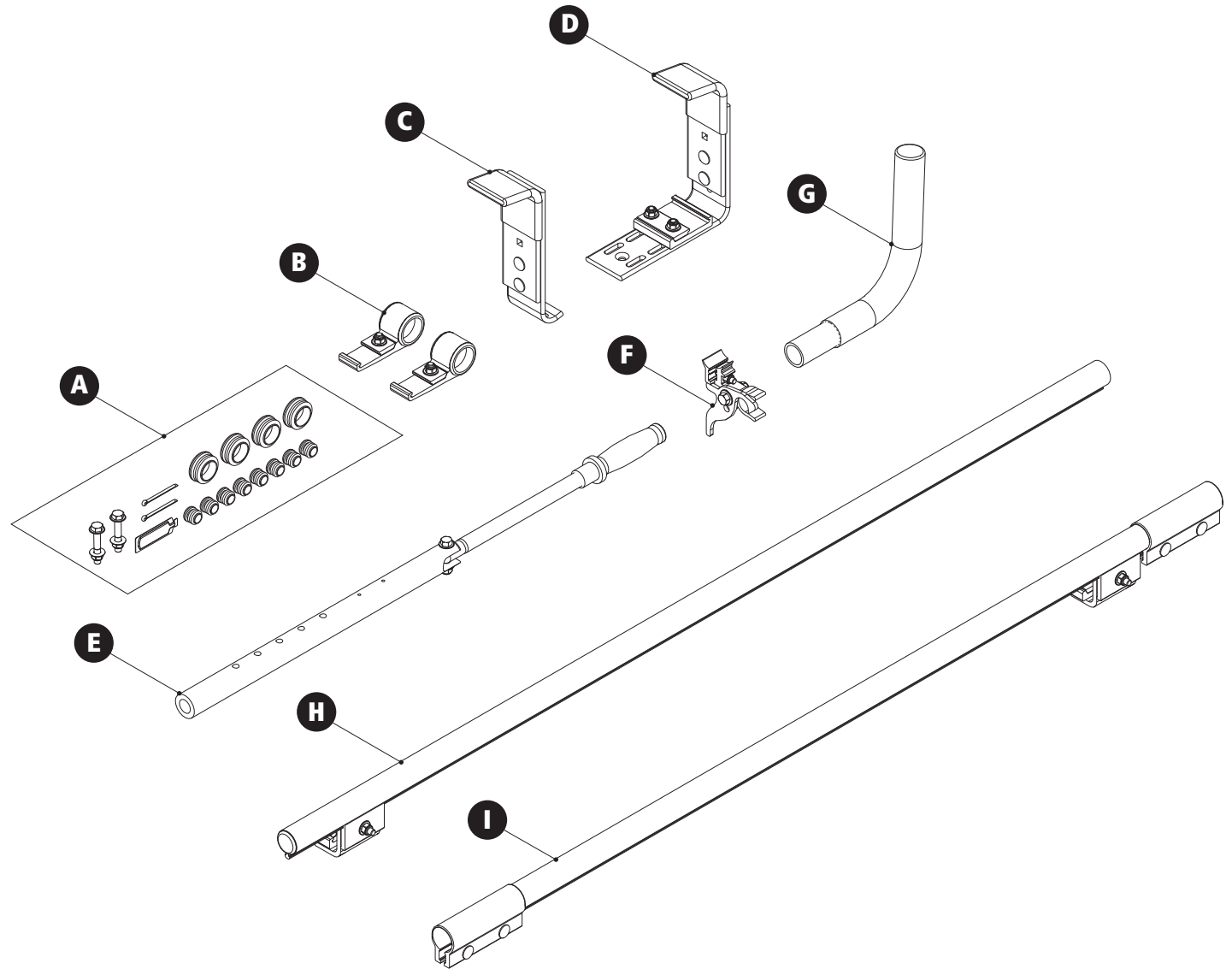
USOV-CBR0003-US01 Rev-C 0118

FEA-0008

RH/LH Clamp Down Module

Configuration as shown:

8' Clamp Down, US Gen4
Finish: White Powder Coat
HKT-8403 Hardware Kit
Kit Weight: 25 lbs



Assembly Manual also available:

FEA-0008

USOV-FEA0008-US01 Rev-A 0118

PRIME DESIGN™

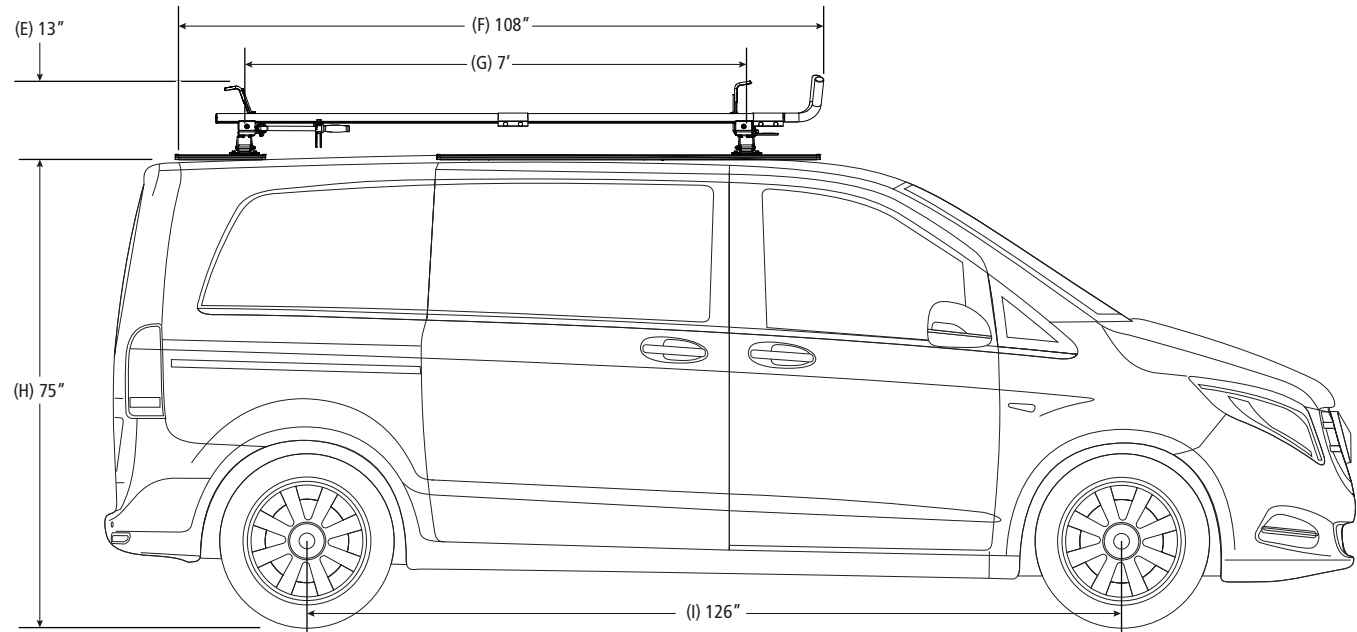
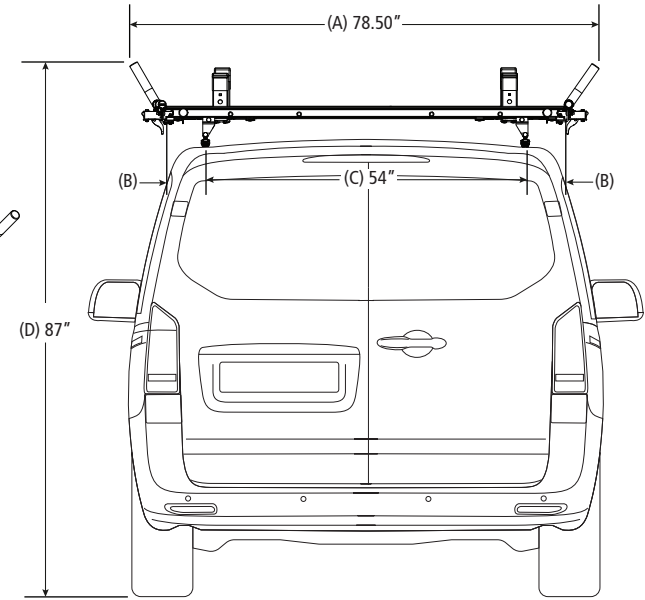
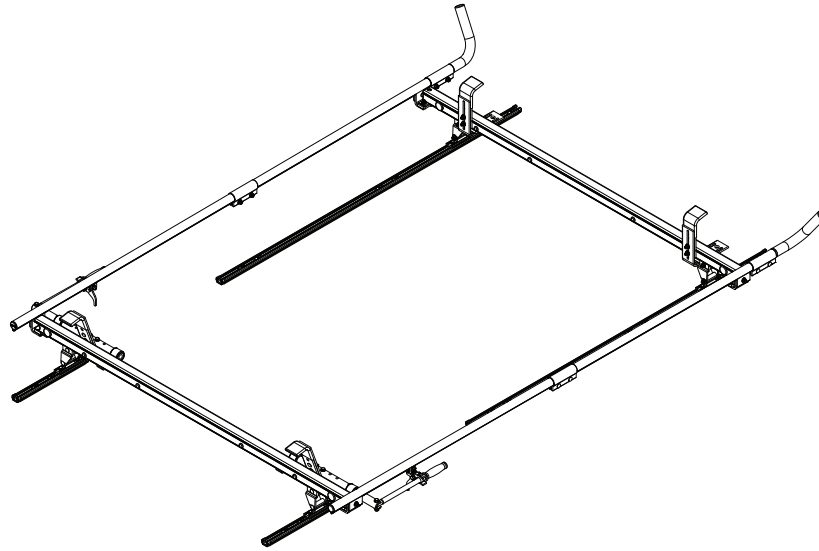
A Safe Fleet Brand

VCC-ME-M

2016+ Mercedes Metris L2H1
Medium Wheel Base, Low Roof

Approximate dimensions as shown:

A: Rack Width	78.50"
B: Crossbar Offset	Even
C: Mount Spacing L/R.....	54.00"
D: Overall Height.....	87.00"
E: Rack Height.....	13.00"
F: Rack Length	108.00"
G: Crossbar Spacing	7'
H: Roof Height	75.00"
I: Wheel Base	126.00"



VCC-ME-M

2016+ Mercedes Metris L3H1
Long Wheel Base, Low Roof

Approximate dimensions as shown:

A: Rack Width	78.50"
B: Crossbar Offset	Even
C: Mount Spacing L/R.....	54.00"
D: Overall Height.....	87.00"
E: Rack Height.....	13.00"
F: Rack Length	114.00"
G: Crossbar Spacing	8'
H: Roof Height	75.00"
I: Wheel Base	135.00"

