

PRIME DESIGN™

A Safe Fleet Brand

H55%787E7?

7dVaDSUJ f 8adV 7ZEVdVe

FZdVW5ddeeTScd Bai VWd5aSF 8 [eZ
DSUJ I VVYZf/W_ bnfj) \$ Te

*Callouts in this Configuration Overview
[V[USFWXg^_ aVg^WSeeV_ T Vd a` kZ

8adVWS[e a` [V[hVgS^bScd b VSeWdVWd fa
fZWf] VW ? aVg^WA hVh[V eTWai z

- A: [FEA-0008 Clamp Down Assembly \(x2\)](#)
- B: [CBR-0003 Crossbar Assembly](#)
- C: [CBR-0004 Crossbar Assembly](#)
- D: [FBM-1067-BLK Mounting System](#)

[Modular Assembly Manuals](#)

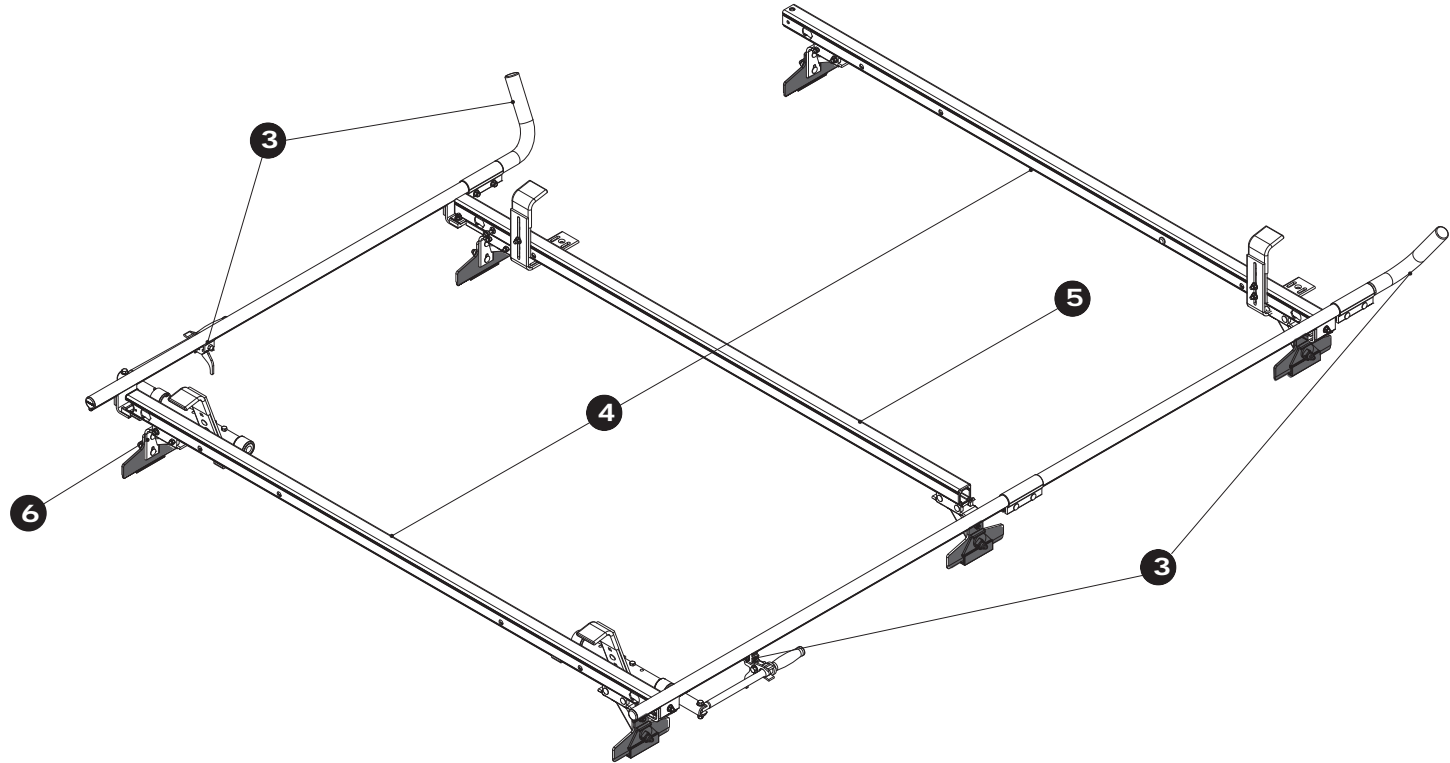
7dVaDSUJ HS` E` >aSV specifications:

Check vehicle manufacturer recommendations for roof capacity weight limits.

5DAEE43DEB35;@9	EF7B>3667D	7J Fz>3667D
&X`EbSL` Y	(, * XZ	#(, \$` XZ
' X`EbSL` Y	*, #` XZ	#(, \$\$XZ
(X`EbSL` Y	*, #S XZ	#(, \$* XZ
) X`EbSL` Y	#", #S XZ	\$", %S XZ
* X`EbSL` Y	#", #S XZ	\$", %X XZ

¹Rotation Configurations: 12 ft. step ladders require an extended upper add-on component.

GEAH-H55%87E? ZGE' # DMZ3 " (\$S

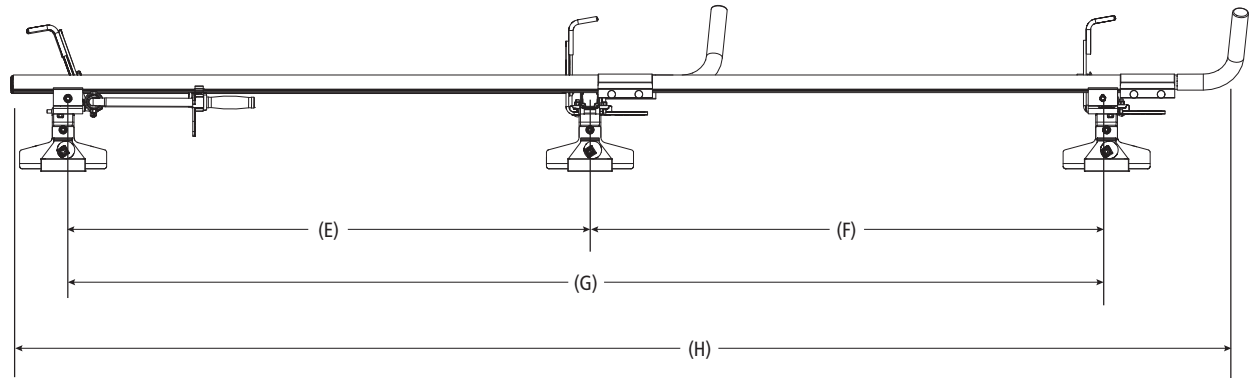
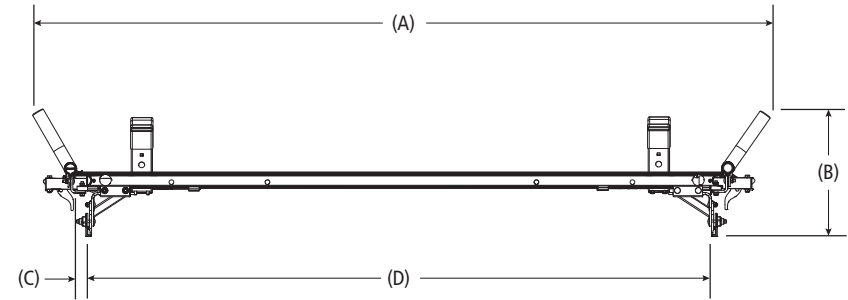
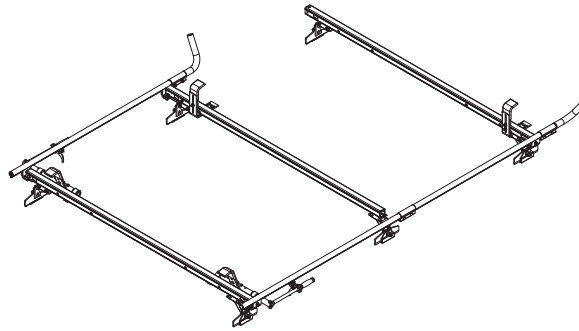


VCC3-FES-M

ErgoRack, Ford E-Series

Approximate dimensions as shown:

A: Rack Width	82"
B: Rack Height	15"
C: Rear Crossbar Offset (Left).....	Even
D: Mount Bolt Spacing L/R.....	Variable
E: Crossbar Spacing (rear to center)	4'
F: Crossbar Spacing (center to front)	4'
G: Total Crossbar Spacing	8'
H: Rack Length.....	113"



Compatible Accessories Available (Sold Separately)

- 8'–12' Conduit Carriers.....[CON Series](#)
- WorkPro LED Lighting.....[LED Series](#)
- Systems and Safety Components
- Safety monitoring.....[DS2 Series](#)